



Access Your World

Linido / Handicare Folding Changing Table

Installation Manual

Model Li2403 series

Important: Lock legs into place by pushing legs into table (see illustration in step 3 below). UNLOCK LEGS BEFORE FOLDING INTO TABLE. Pull the legs away from the table to unlock.

DO NOT FOLD THE LEGS WHILE LOCKED OR THEY COULD BE DAMAGED.

Tools Needed:

- Drill with 8mm drill bit
- Socket wrench with 6mm socket

Additional Materials:

Anchors appropriate to wall material.
Please verify size and design requirements before beginning installation. Anchors are not included with product.

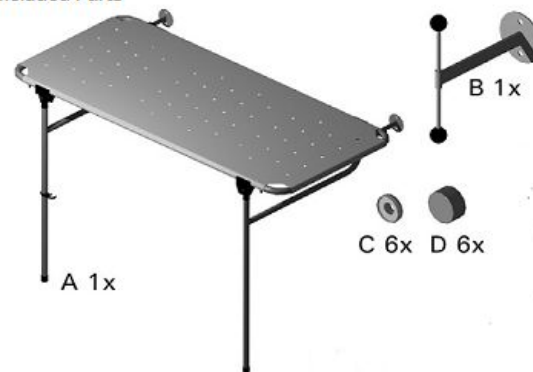
Verify that all materials are free from damage.

Keep the manual easily accessible.

Call us at 800 577-1555 for installation support or technical assistance.

1. Inventory parts.

Included Parts



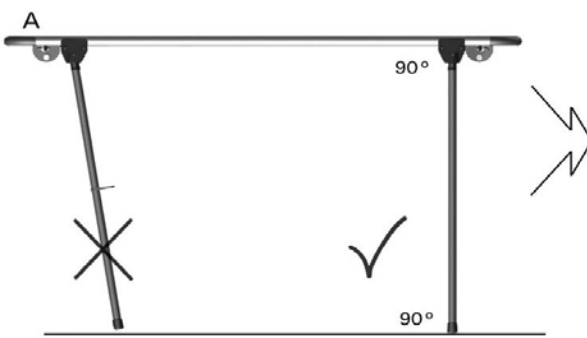
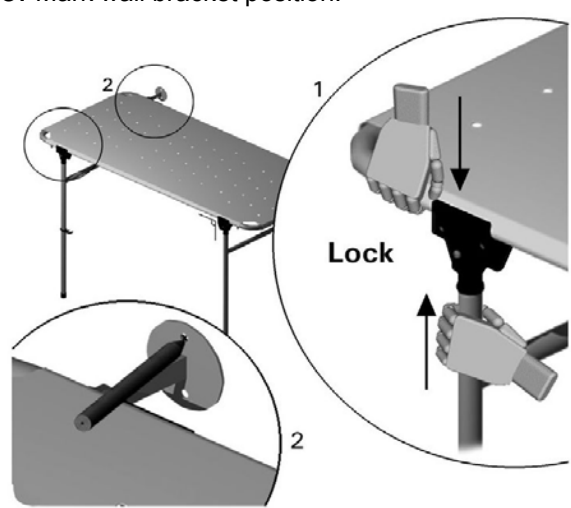
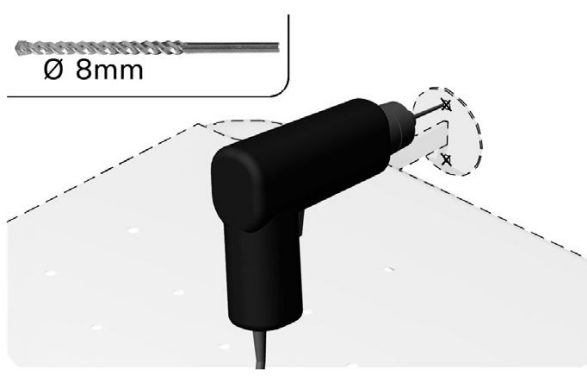
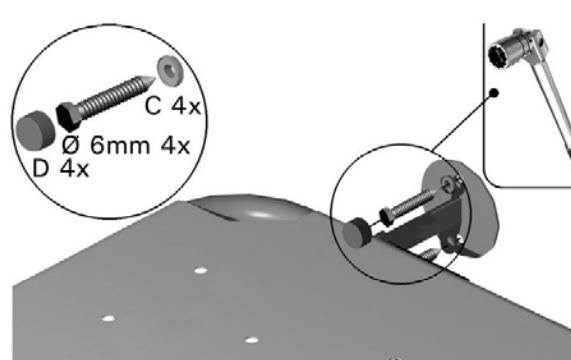
Subject to change without further notice

www.max-ability.com 800-577-1555 Fax: 707-575-3856 email: info@max-ability.com

rev. Nov. 2015



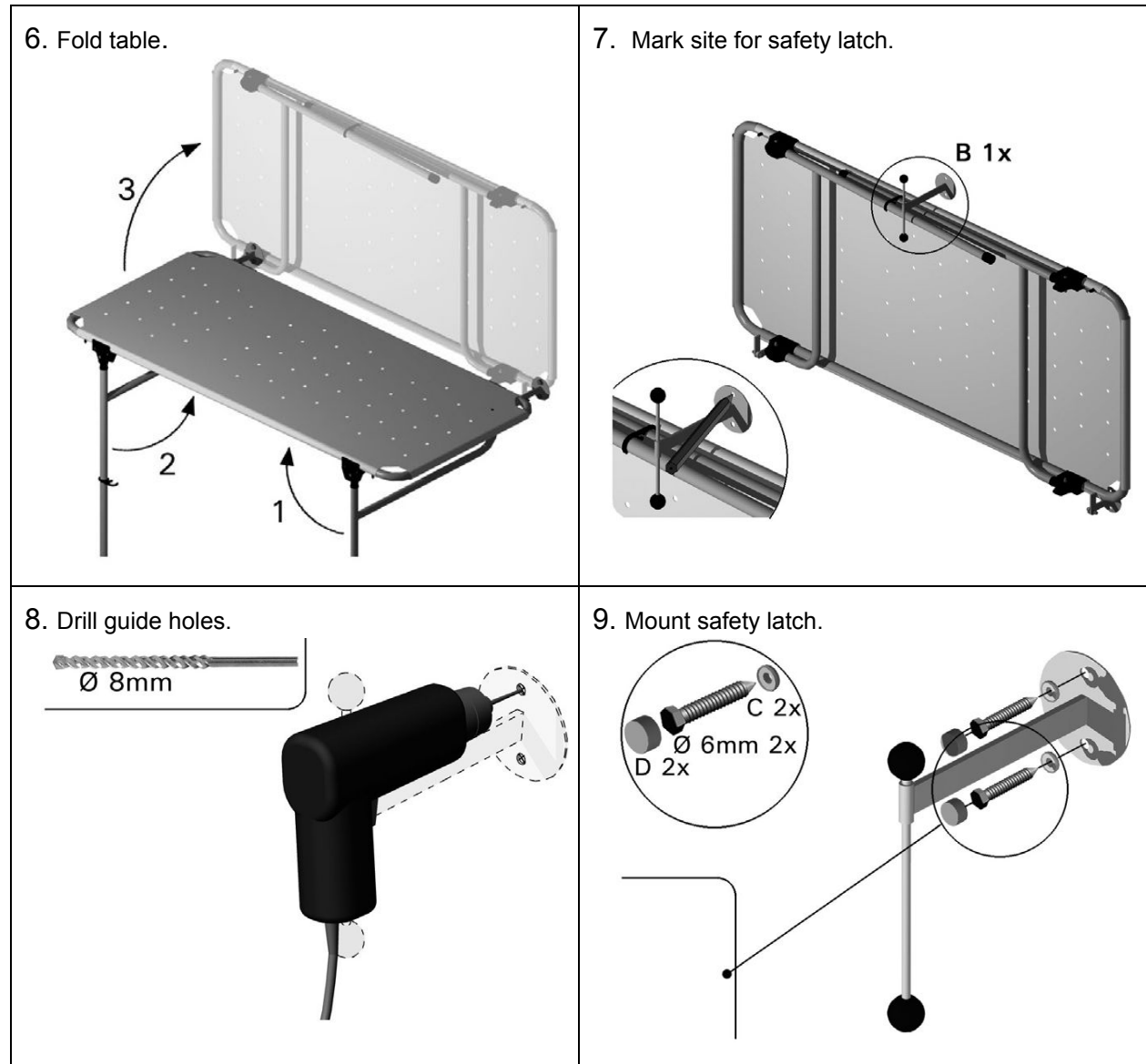
Linido Model Li2403 series Installation Manual

<p>2. Lock table legs in their full 90° position. Make sure legs are fully extended.</p> 	<p>3. Mark wall bracket position.</p> 
<p>4. Drill guide holes.</p>  <p>Ø 8mm</p>	<p>5. Mount brackets using appropriate anchors according to wall material.</p>  <p>C 4x Ø 6mm 4x D 4x</p>

Subject to change without further notice



Linido Model Li2403 series Installation Manual



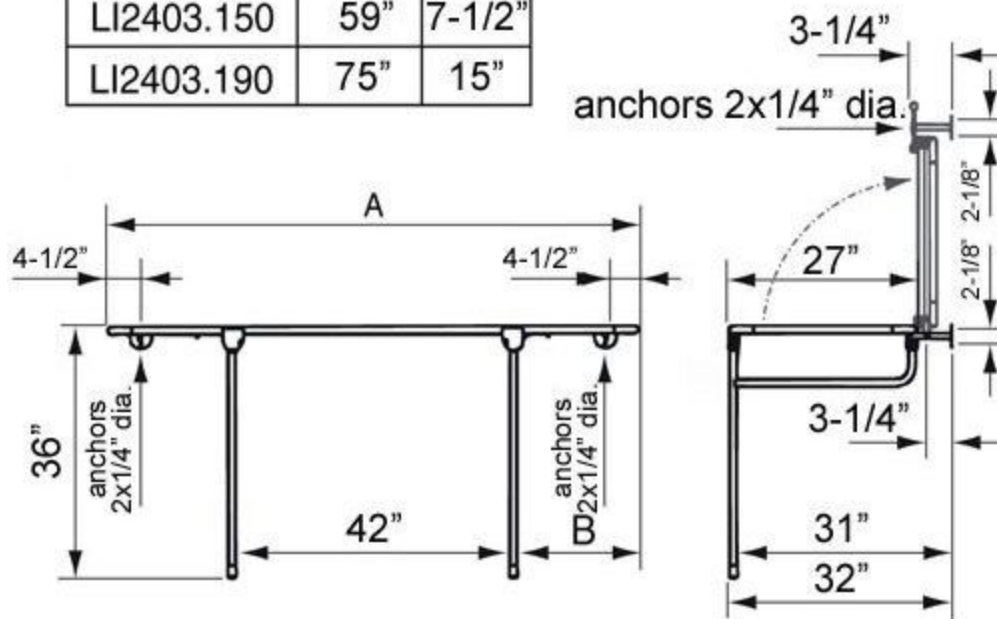
Subject to change without further notice



Linido Model Li2403 series Installation Manual

Dimensions:

	A	B
LI2403.150	59"	7-1/2"
LI2403.190	75"	15"



Please note that mounting anchors are not included. Select anchors appropriate for the type of wall the changing table will be mounted to.

Clean your Linido/Handicare changing table with mild, non-abrasive cleaners only. Rinse with clean water after use.

Subject to change without further notice