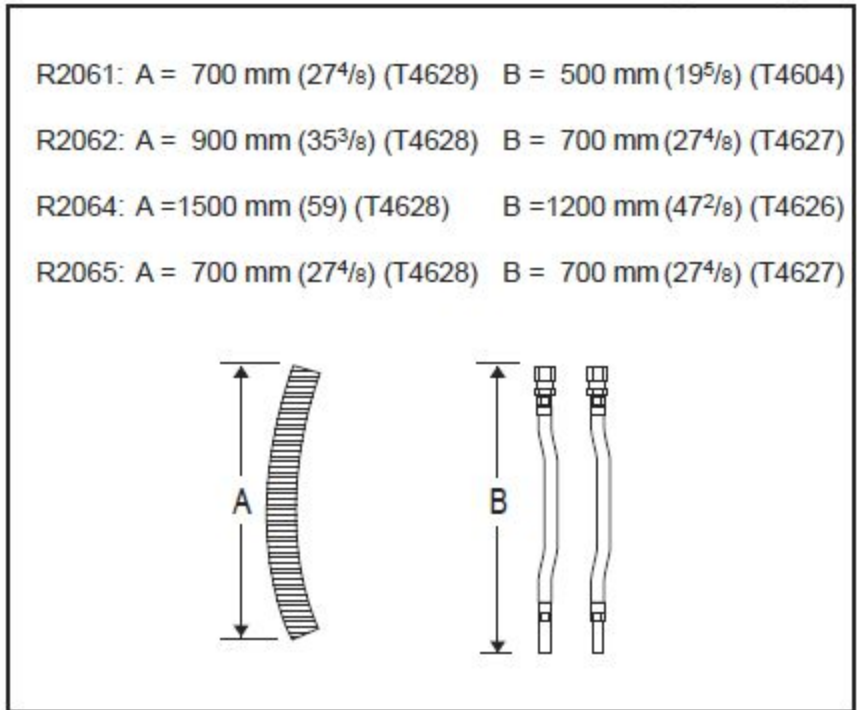
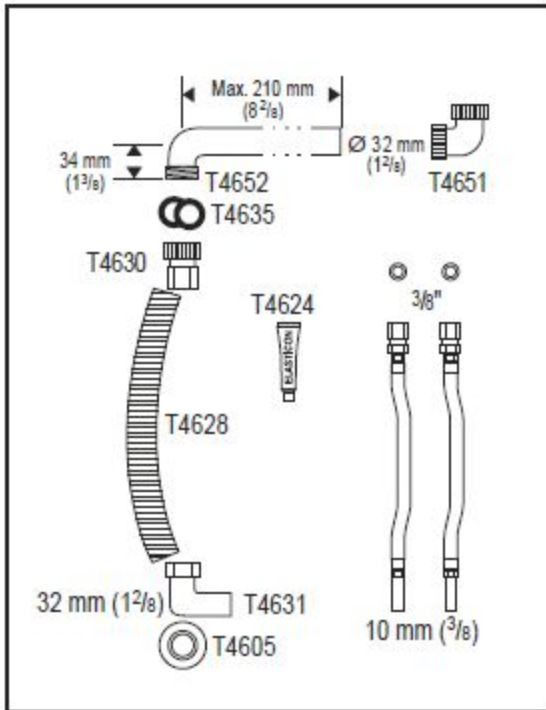


Pressalit Care Adjustable Height Bathroom Sink

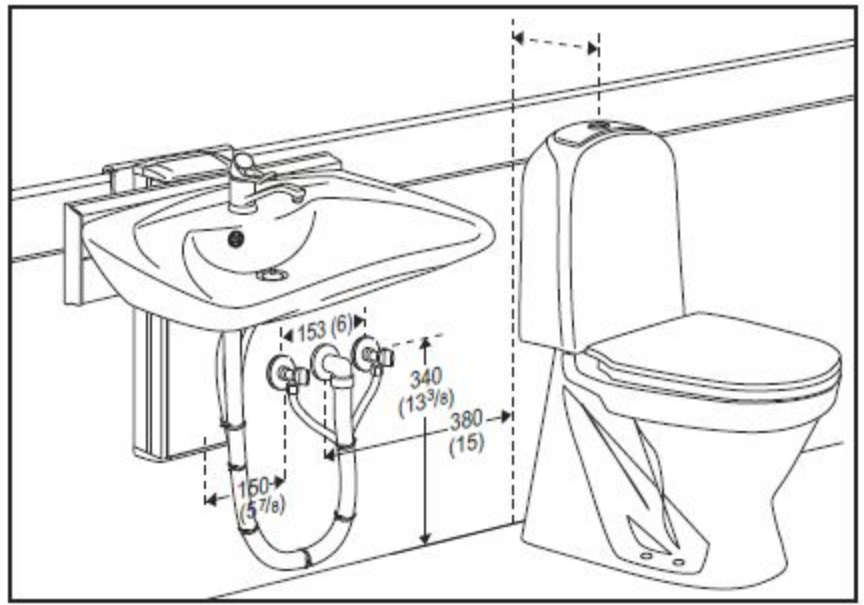
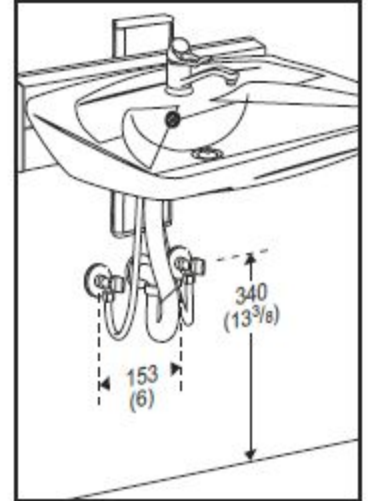
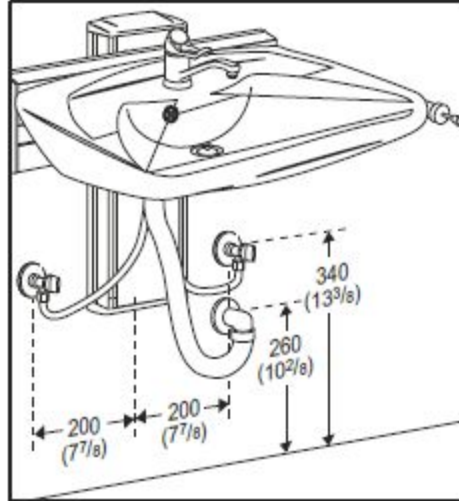
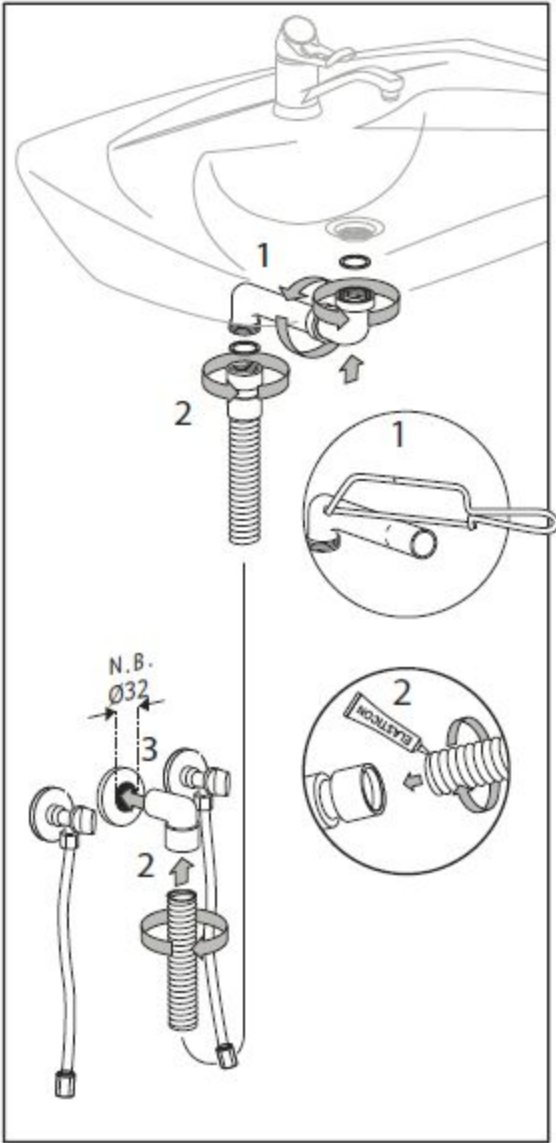
Flexible Feed/Waste Kit Installation Drawing

Call us at 800 577-1555 for installation support or technical assistance.



Shorten the flexible hose if necessary. Apply the attached sealing compound to the ends of the clean flexible hose. Screw on the connecting pieces T4631 and T4630 to the ends of the tube. Spread out the compound within 15 minutes. The sealing compound hardens in 24 hours.

MAX-Ability®



Subject to alteration without further notice.

www.max-ability.com 800-577-1555 Fax: 707-575-3856 email: info@max-ability.com

pub. Dec 2015