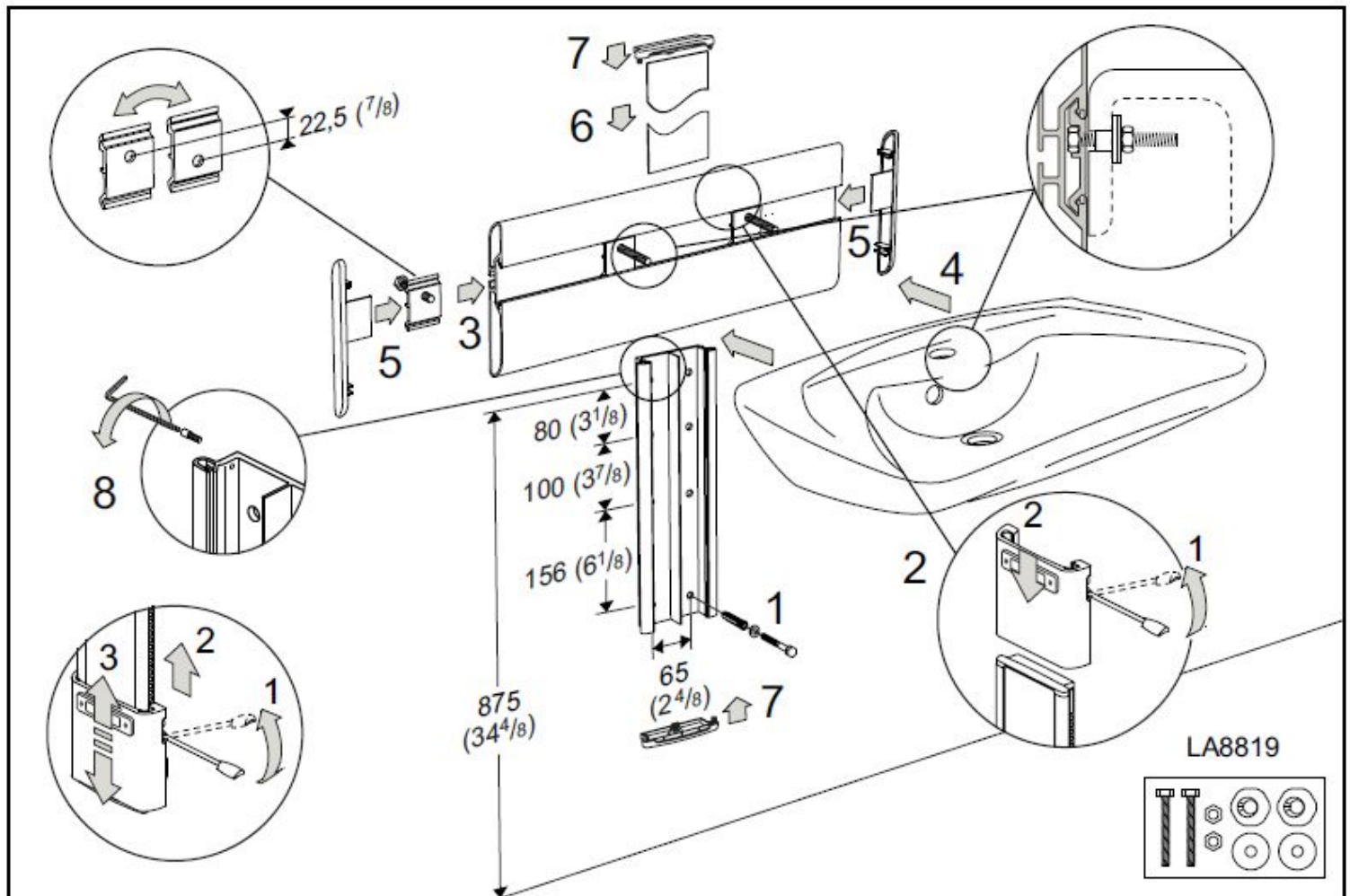


Pressalit Care Adjustable Height Bathroom Sink

Manual Mode Installation Drawing

Call us at 800 577-1555 for installation support or technical assistance.

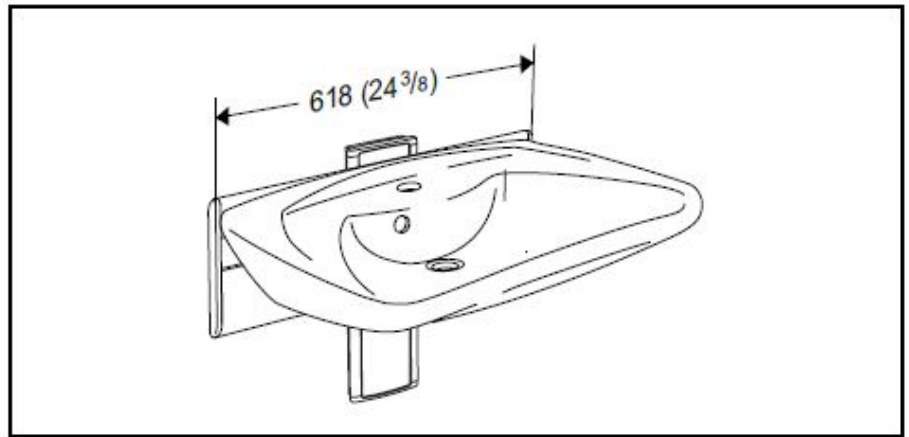
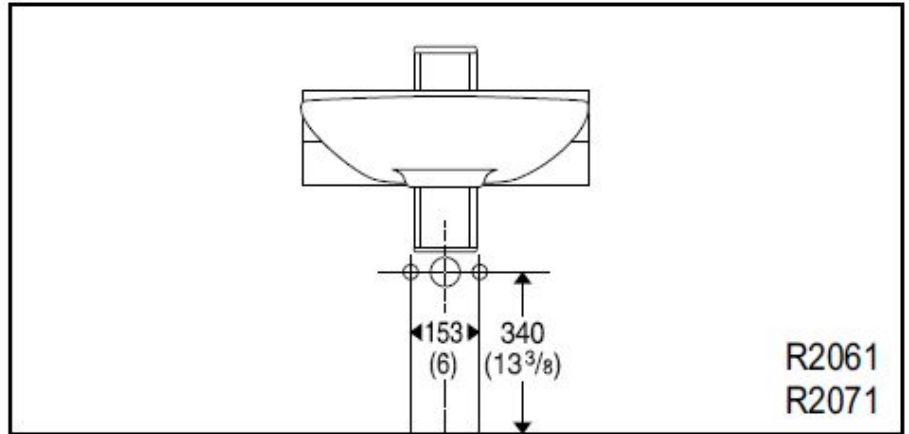
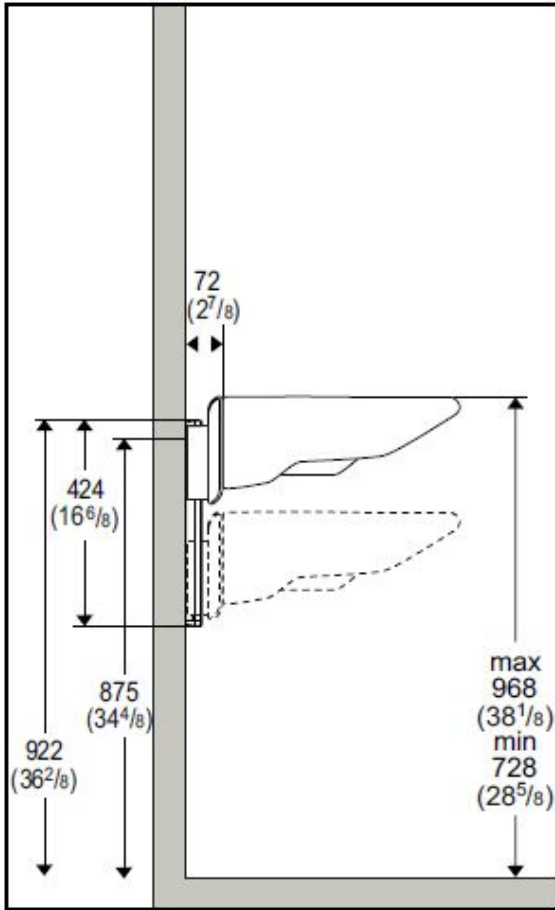
Wall-mounted, height adjusting only



Subject to alteration without further notice.



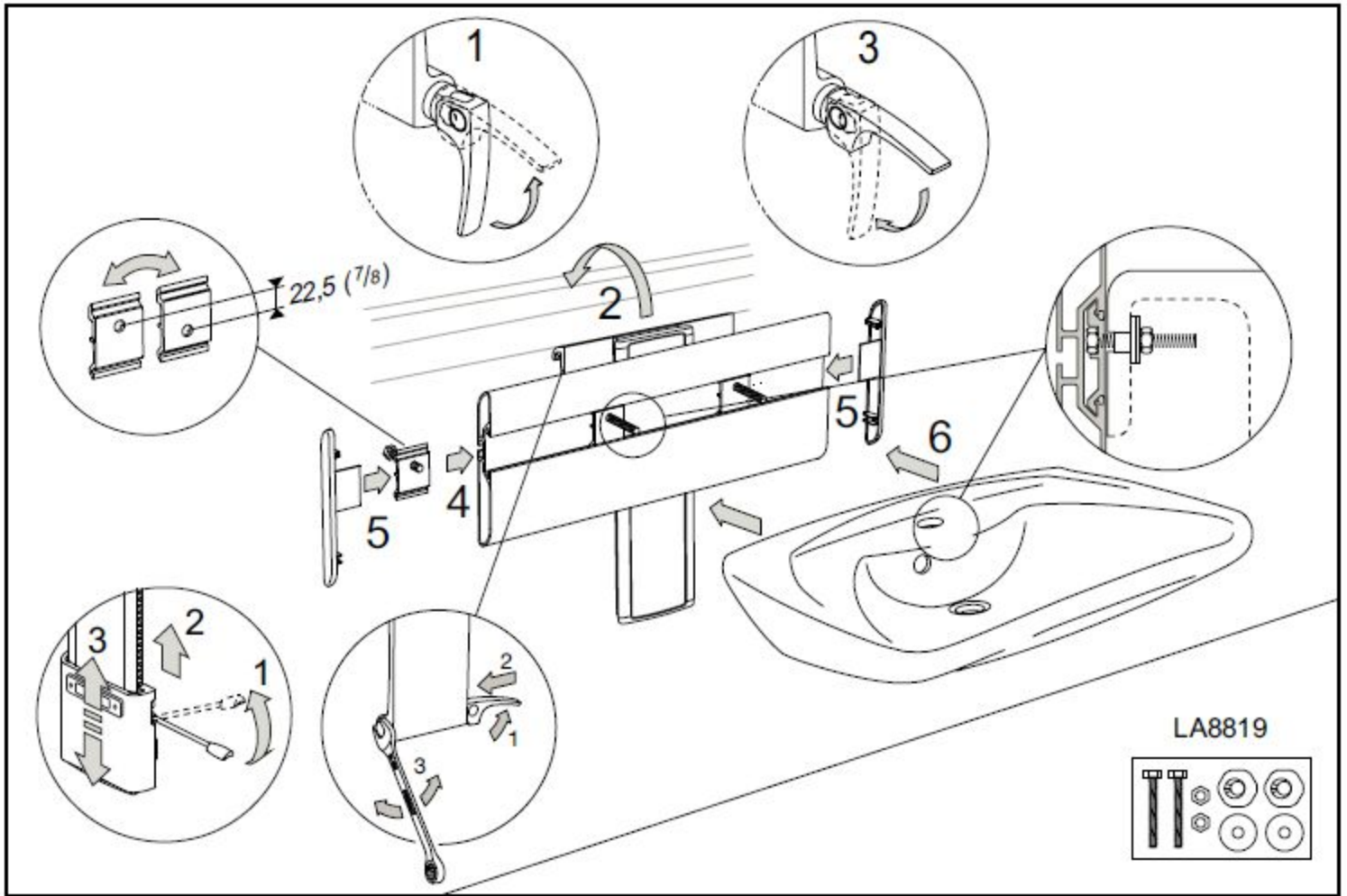
Wall-mounted, height adjusting only



Subject to alteration without further notice.



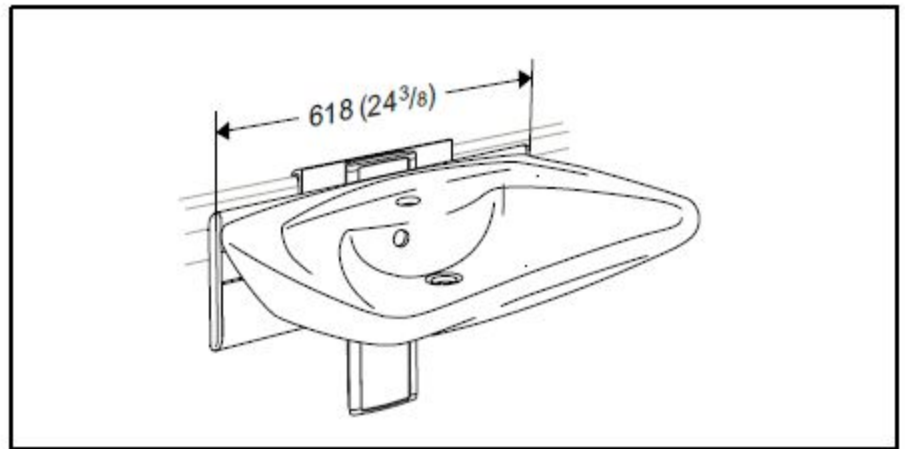
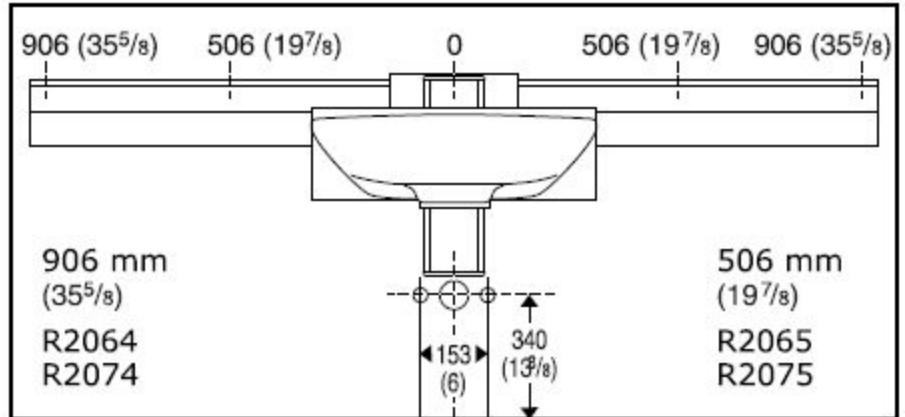
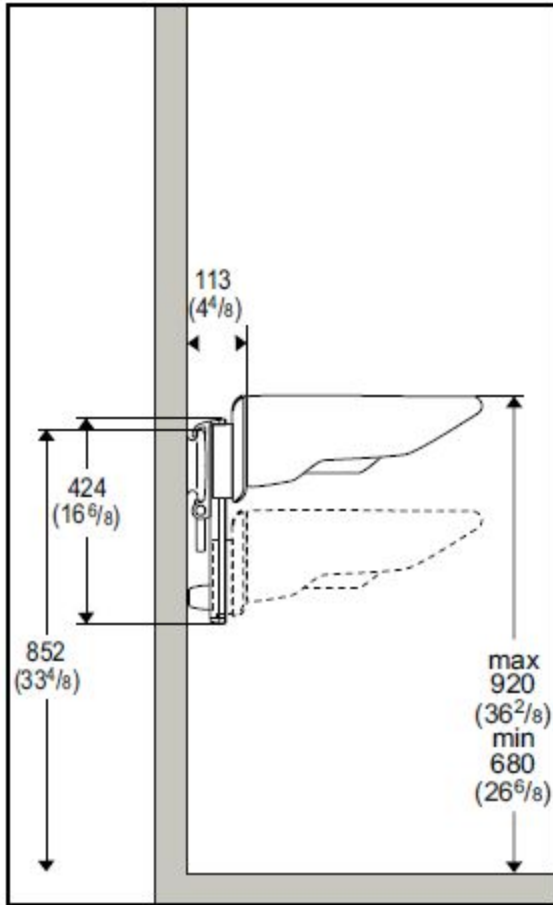
Track-mount, height and lateral adjusting



Subject to alteration without further notice.



Track-mount, height and lateral adjusting



Subject to alteration without further notice.



Methods of Installation

	Brick walls (solid brick or hollow brick) >Mz12 or >Hz12	2"x1.5" studs, 22 mm (7/8") plywood or equivalent	2x12.5 mm (4/8") plasterboard or equivalent	Aerated concrete walls > G2	Concrete walls > B15
R4550	A	A	B	C	A

A

V8500 (x2)
V8501 (x6)
V8502 (x10)

Ø8 x 70
fischer S 10

B

V8506 (x2)
V8507 (x6)
V8508 (x10)

fischer KD 8

C

V8503 (x2)
V8504 (x6)
V8505 (x10)

Ø8 x 70
fischer FTP K 8

Maintenance/Cleaning: Use only regular soap and water. Avoid cleaner that polish, corrode, or contain chlorine.

Subject to alteration without further notice.

www.max-ability.com 800-577-1555 Fax: 707-575-3856 email: info@max-ability.com

rev. Nov 2015