

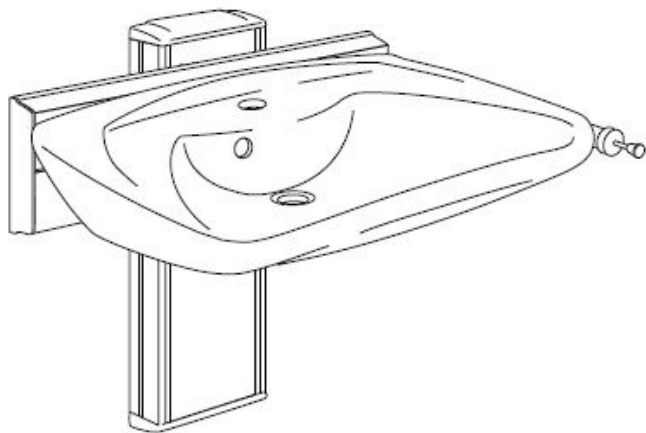
Pressalit Care Adjustable Height Bathroom Sink

Pneumatic Mode

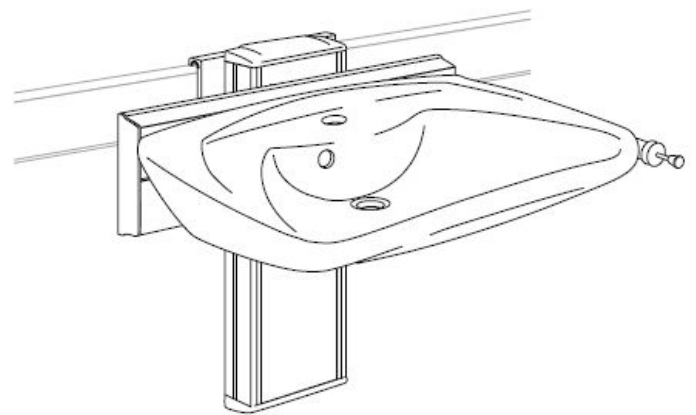
Installation Drawing

Call us at 800 577-1555 for installation support or technical assistance.

Wall-mounted



Track-mounted

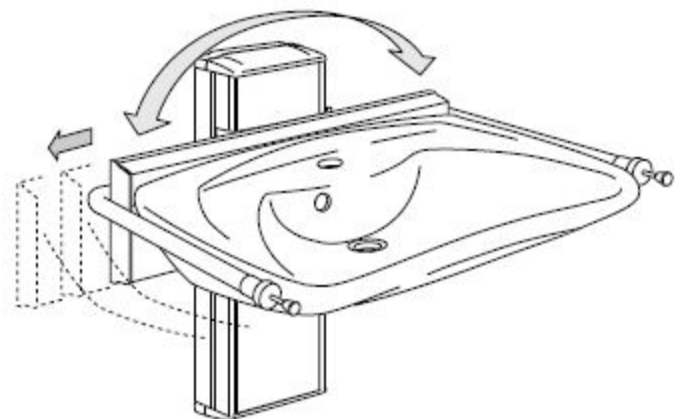


Mounting instructions:

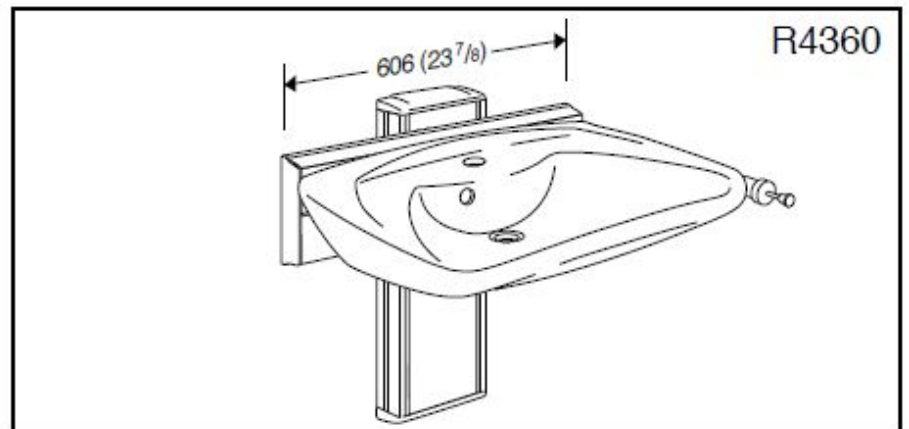
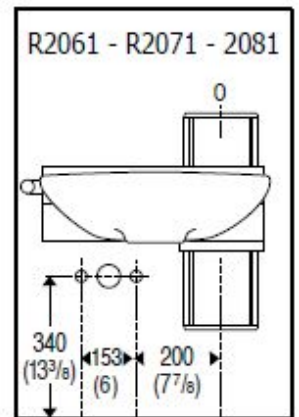
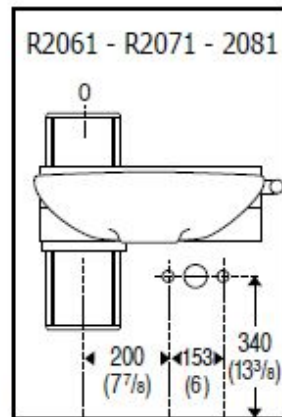
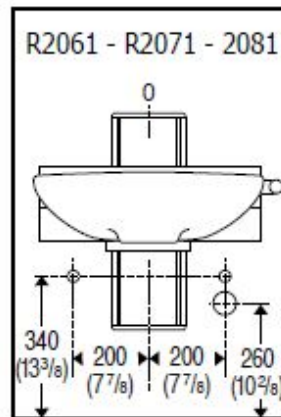
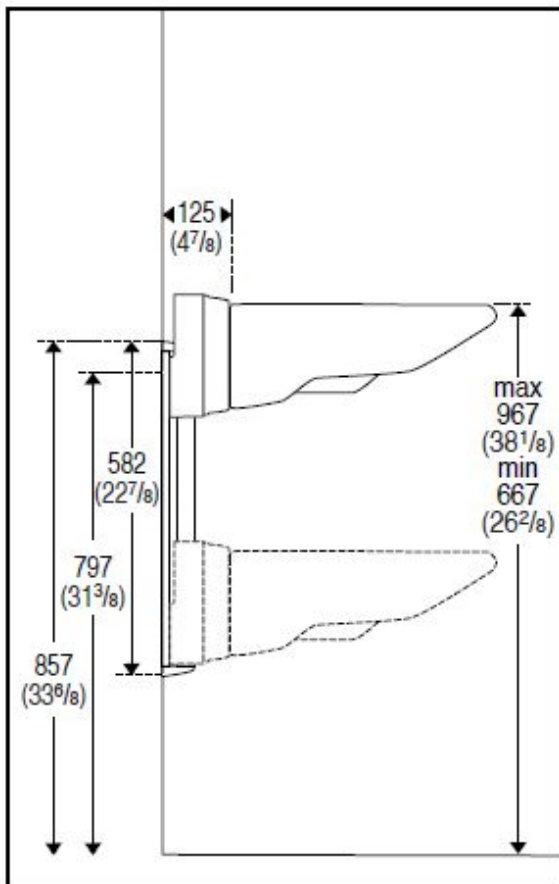
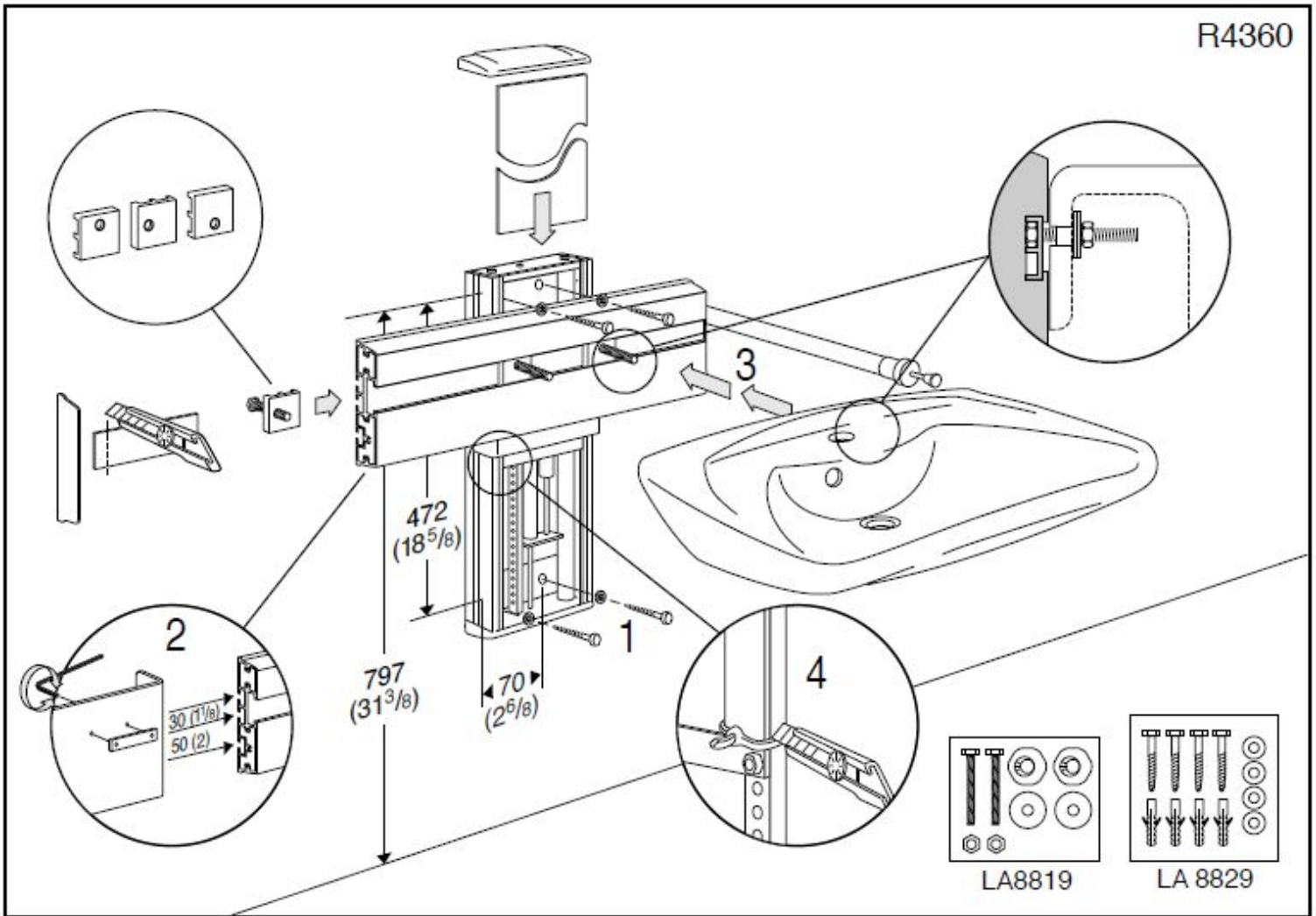
Before mounting, determine the most appropriate location for wash basin, taking interior construction and plumbing into account (see diagram below).

To change wash basin's position, see Fig. 1 below.

To shift lever from right to left side of sink, see Fig. 2 below.



R4360



R4760

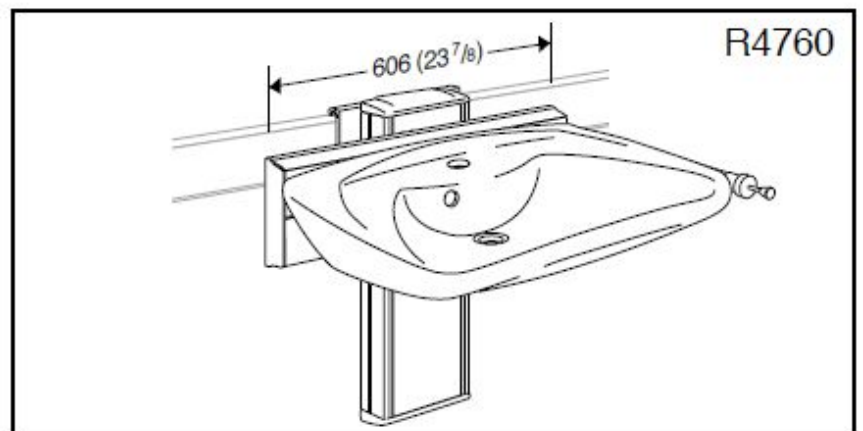
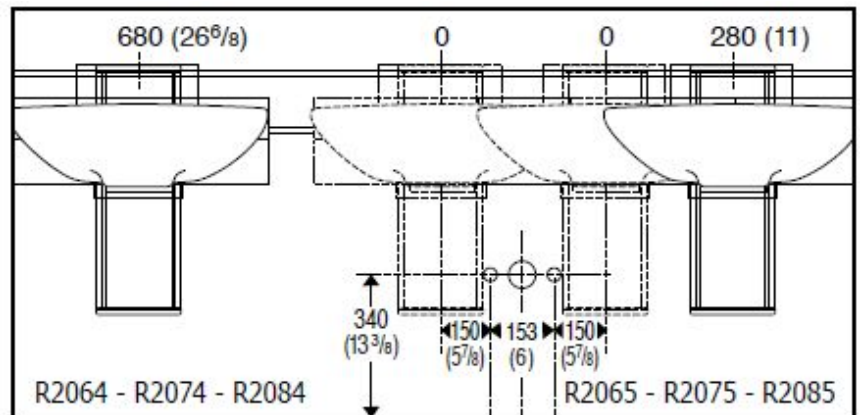
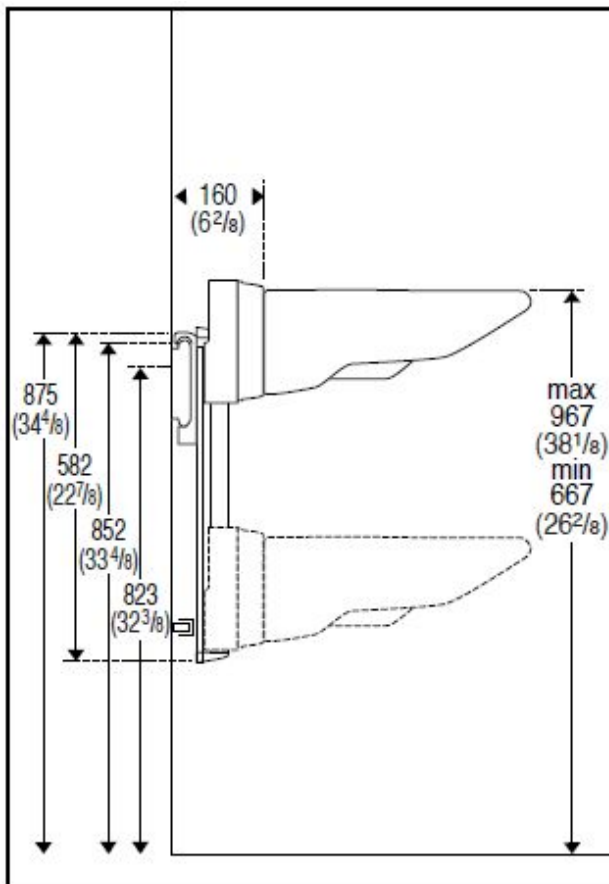
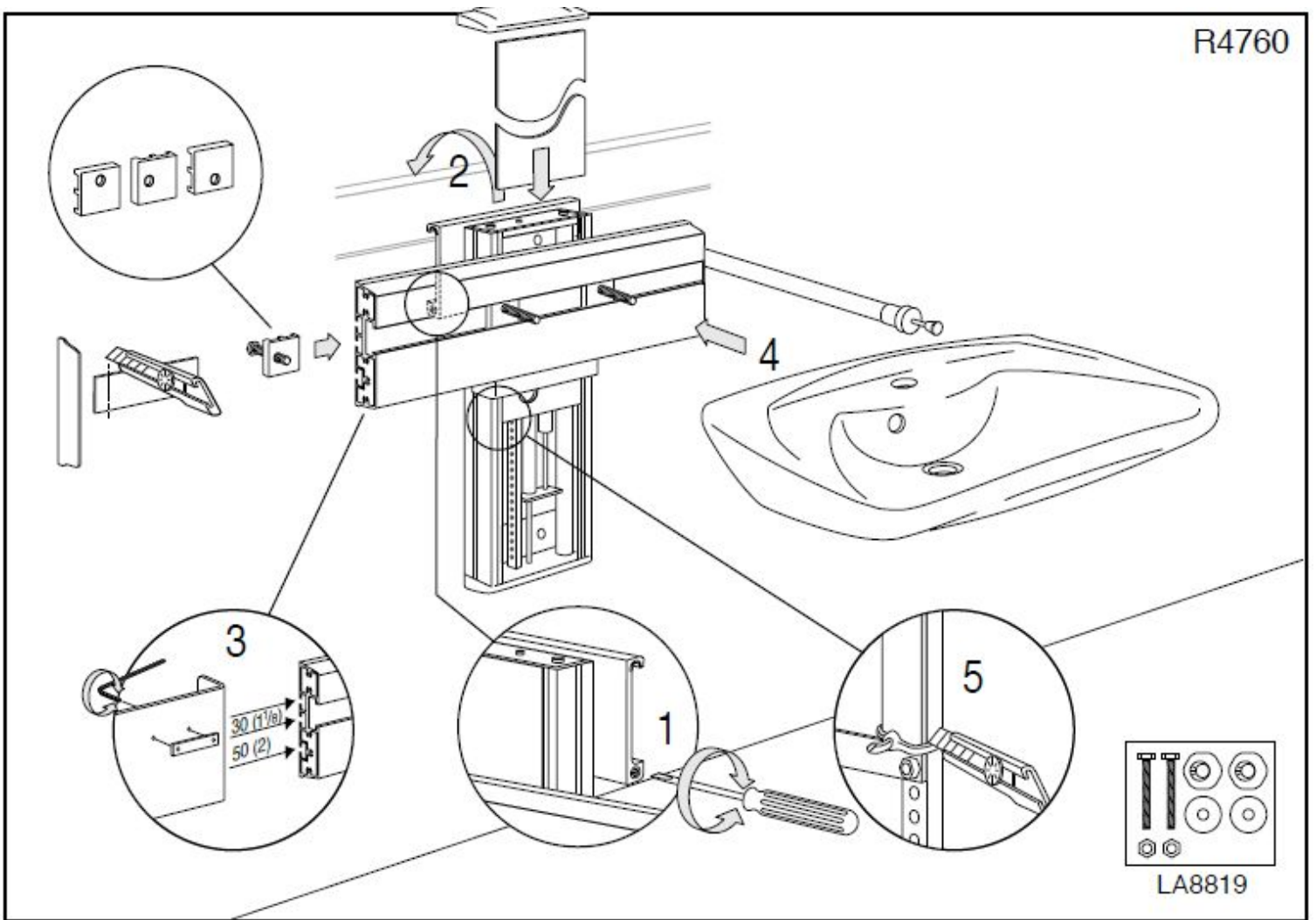


Fig. 1

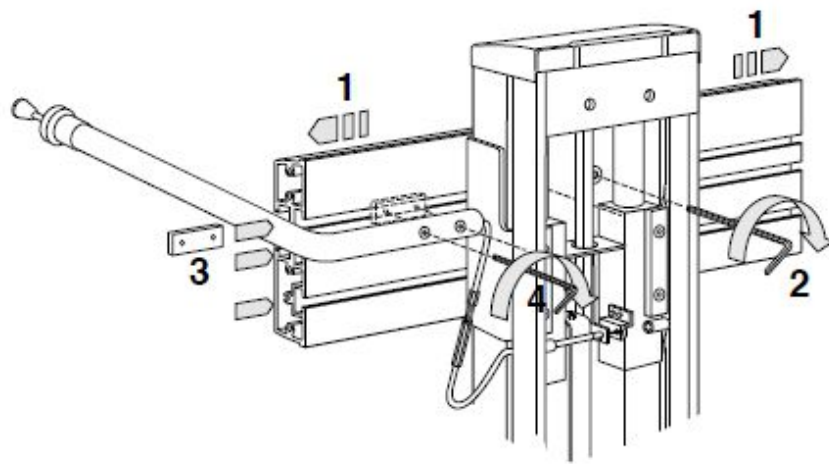
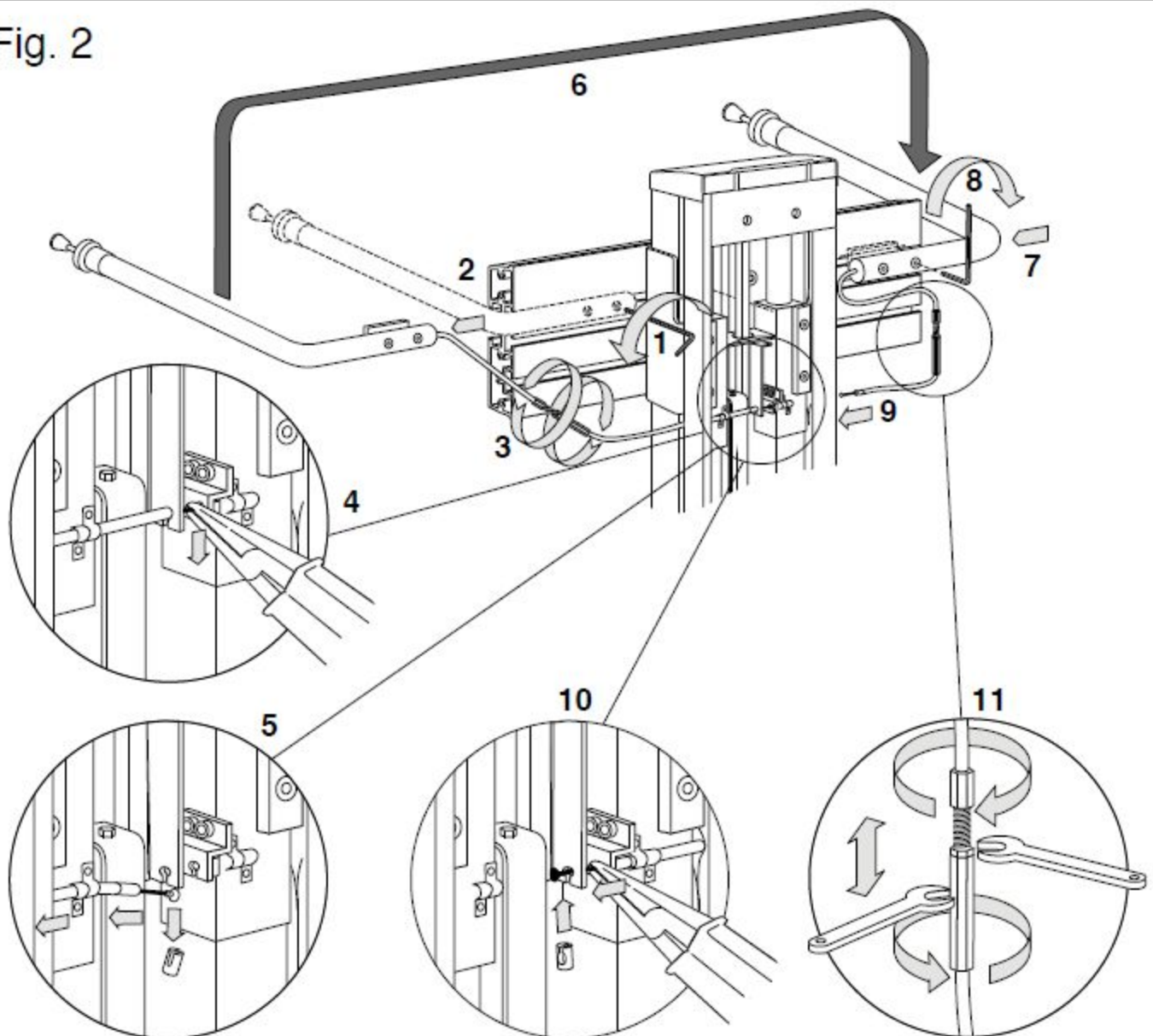


Fig. 2

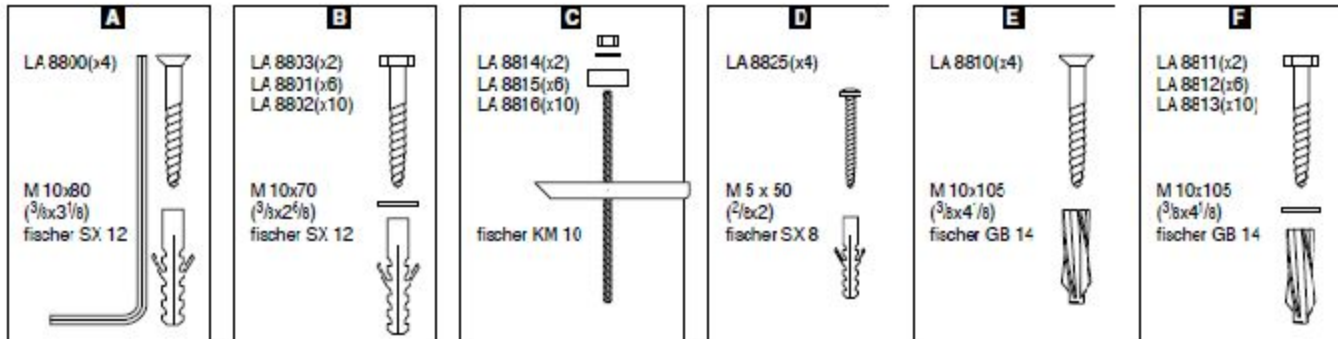


Methods of Installation

	Brick walls (solid brick or hollow brick) >Mz12 or >H212	2"x1.5" studs, 22 mm (7/8") plywood or equivalent	2x12.5 mm (4/8") plasterboard or equivalent	Aerated concrete walls > G2	Concrete walls > B15
R9900-R9915	B	B	C	C	C
R3016/R3018	A ✓	A ✓	X	E	A ✓
RF016/RF018	A ✓	A ✓	X	E	A ✓
R3146/R3148	B	B	C	F	B
RF146/RF148	B	B	C	F	B
R4140/R4141/42	B	B	C	F	B
R4260/R4270/R4261/62/71/72	B ✓	B ✓	C	F	B ✓
R4360/R4361/62/71/72	B ✓	B ✓	C	F	B ✓
R5010/R5015/R7010	A ✓	A ✓	X	E	A ✓
R5140/R5145	B	B	C	F	B
R6010	B ✓	B ✓	C	F	B ✓
R7165/66/67/68	B	B	C	F	B
R7142/R7143/R7153/R7151	B	B	C	F	B
R7256/R7258	B	B	C	F	B
R4920/21/R4930/31	B ✓	B ✓	C	F	B ✓
R8240/41-61/R8245/46-66	B ✓	B ✓	C	F	B ✓
RT490/RT491/RT850-870	D ✓	D ✓	X	D ✓	D ✓
RT100-110/RT124-138	D ✓	D ✓	X	D ✓	D ✓
RT114-119/RT212-215	D ✓	D ✓	X	D ✓	D ✓

✓ • Included with the product •

X • Not possible •



Subject to alteration without further notice.

www.max-ability.com 800-577-1555 Fax: 707-575-3856 email: info@max-ability.com

rev. Nov 2015