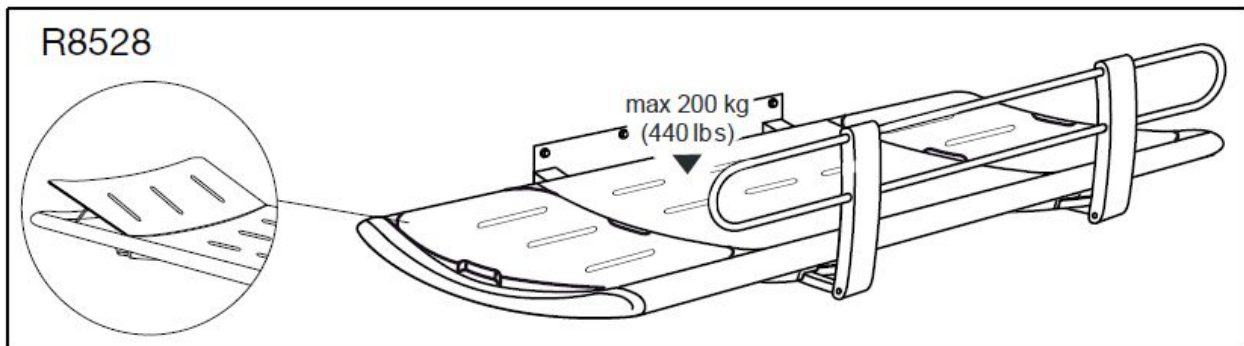
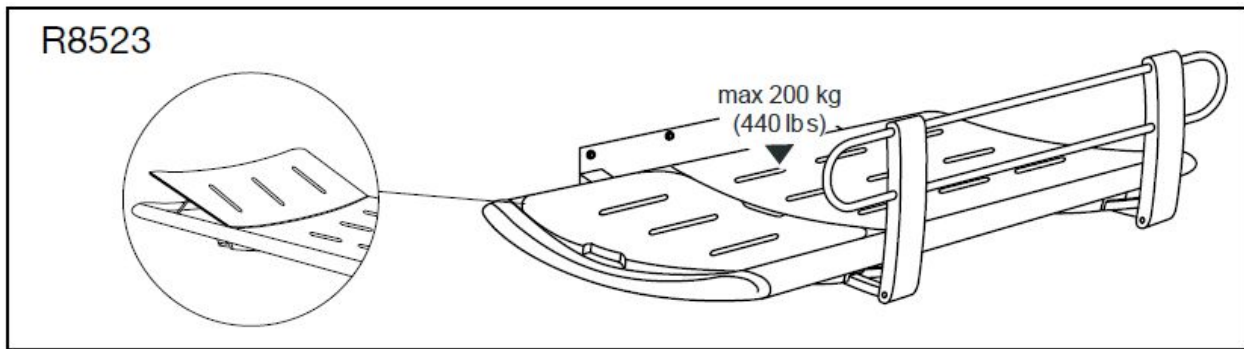


## Pressalit Care 3000 Special Needs Changing Table (Models R8523/R8528)

### Fixed Height Installation Drawing

Call us at 800 577-1555 for installation support or technical assistance.

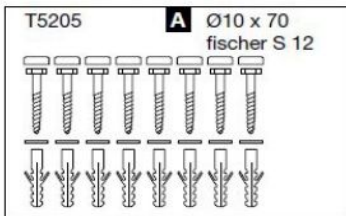


#### Methods of Installation

Brick walls  
(solid brick or hollow brick)  
>Mz12 or >Hz12

A ✓

✓ included with product



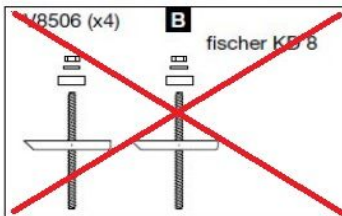
2"x1.5" studs,  
22 mm plywood  
or equivalent

A ✓

2x12.5 mm  
plasterboard  
or equivalent

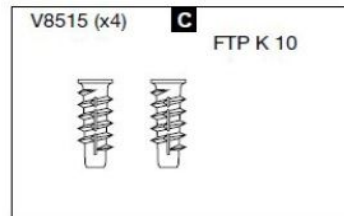
B

Not applicable in the US



Aerated concrete walls  
> G2

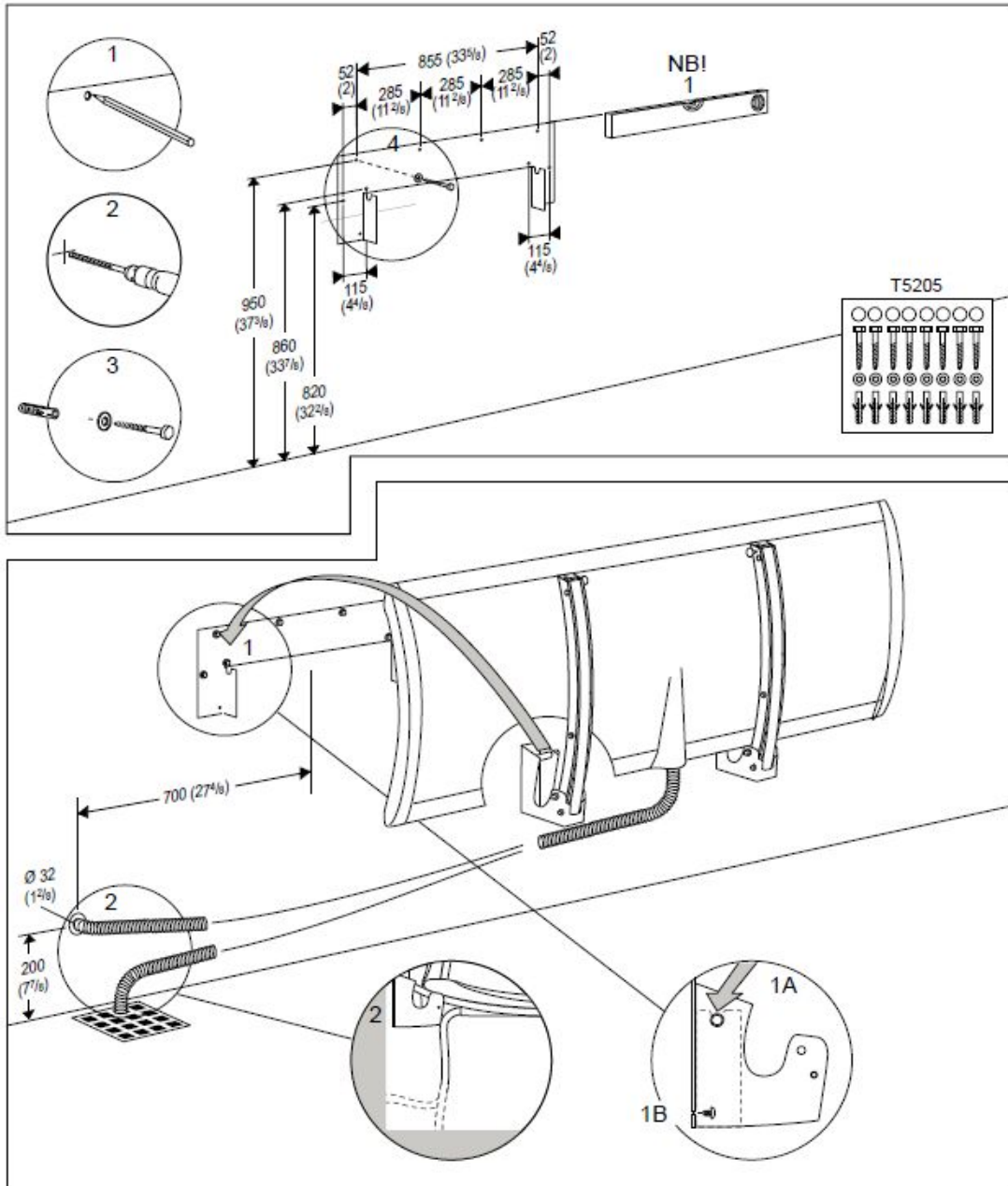
C



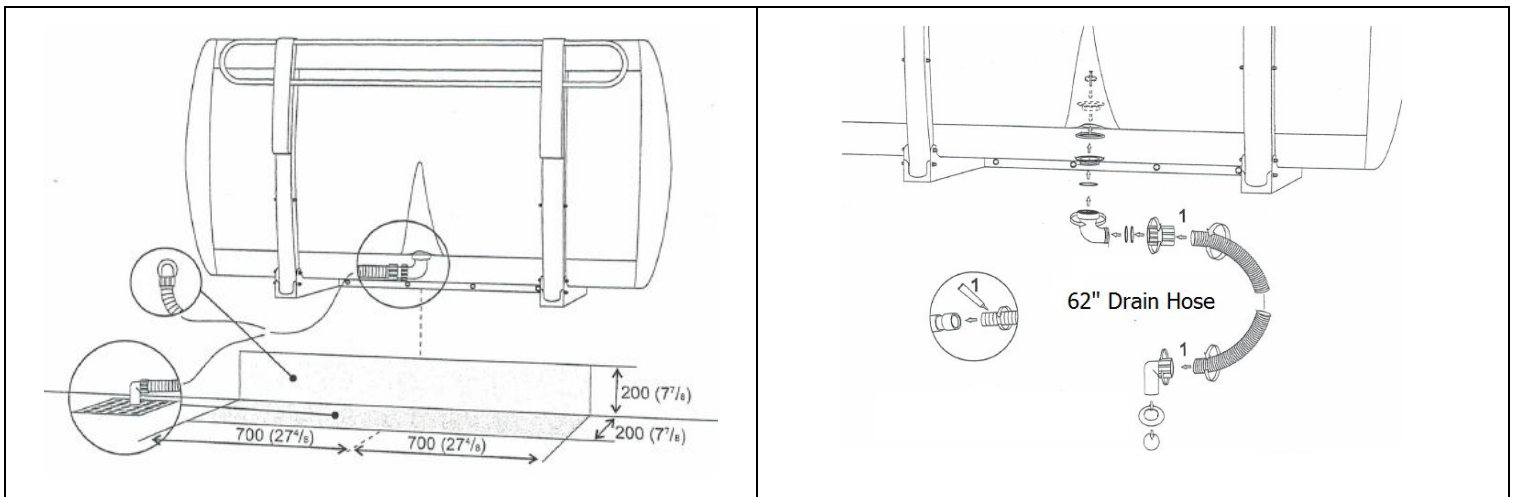
Concrete walls  
> B15

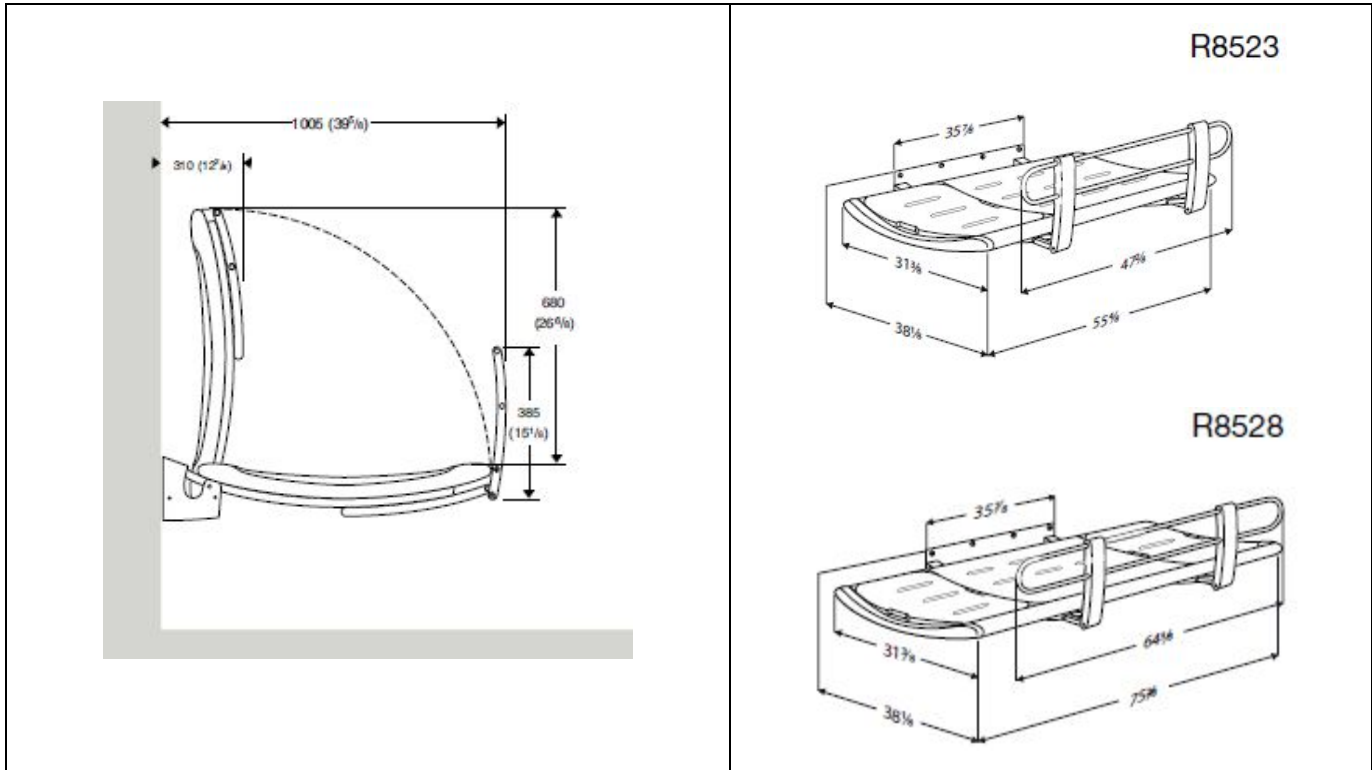
A ✓

Subject to change without further notice



Flexible drain hose may be excluded from installation if table will not be used for showering/bathing.





**WARNING:** Follow all instructions to prevent serious injury or product damage. If any parts are damaged, contact MAX-Ability. Do not attempt to remove, modify, or repair damaged parts unless so instructed by MAX-Ability. Product should be installed by a qualified professional, e.g., a licensed contractor. MAX-Ability is not liable for injury or damage caused by improper mounting.

- This product is designed for indoor use in a wet environment, such as a bathroom, shower, or washroom.
- Use indicated dimensions to mount changing table.
- Choose an installation location with sufficient space for access to and function of the product.
- Check the operation manual for further troubleshooting tips.

## Important!

Attention Product Owner / Installer:

*Before using your newly installed Pressalit Care changing table for the first time, carefully inspect and ensure that:*  
All fasteners and anchors are tight.  
The safety rail and table folding mechanism operate correctly.

**The flexible drain hose and connectors should not be installed if the table will only be used for changing.**

Refer to the user manual for inspection intervals, operation and cleaning procedures.

Subject to change without further notice.