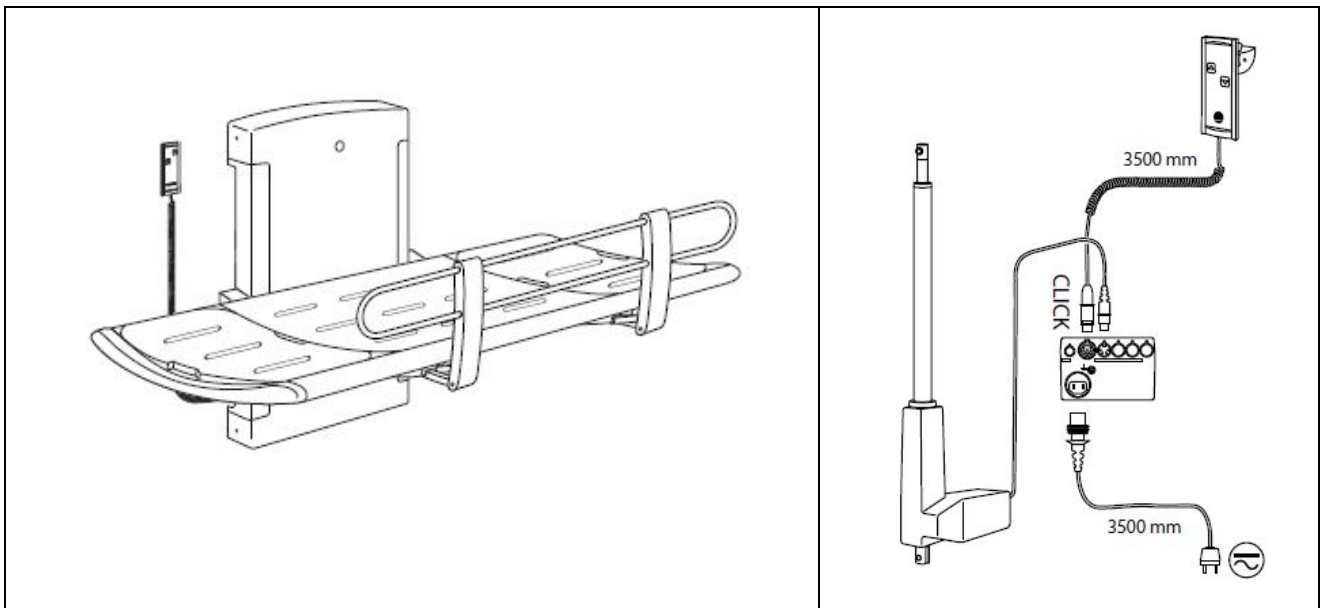


Pressalit Care 3000 Height Adjustable Changing Table (Models R8534/R8539)

Installation Drawing

Call us at 800 577-1555 for installation support or technical assistance.



Methods of Installation

Brick walls
(solid brick or hollow brick)
>Mz12 or >Hz12

A ✓

✓ included with product

2"x1.5" studs,
22 mm plywood
or equivalent

A ✓

2x12.5 mm
plasterboard
or equivalent

B

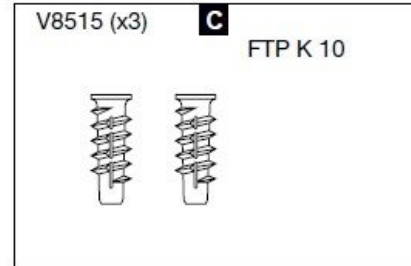
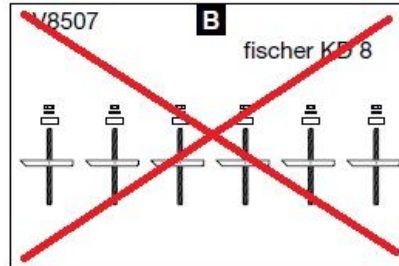
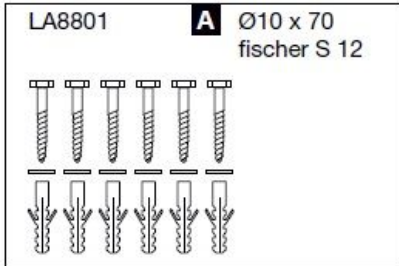
Not applicable in the US

Aerated concrete walls
> G2

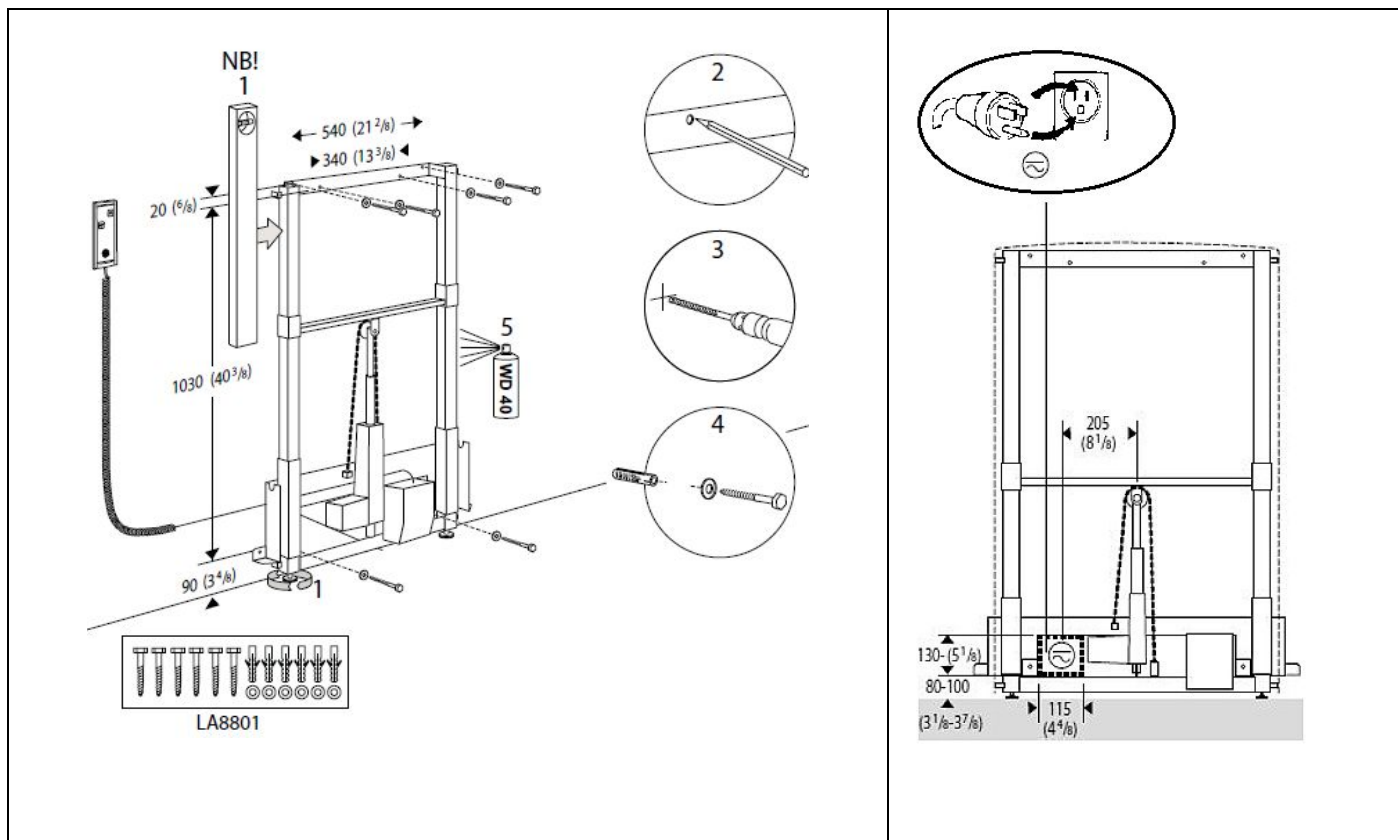
C

Concrete walls
> B15

A ✓



Installation location This product is designed for indoor use in a wet environment, such as a bathroom, shower, or washroom, therefore, insure that the power supply is adequately shielded. Additionally, choose an installation location with sufficient space for access to and function of the product.



Electrical Connections Insure that all power components are connected securely. Connect control box either by means of an approved moisture-resistant wall box or by leading an approved cable through the wall for connection outside the room. Use a standard single gang flush mount outlet box. See the drawing for proper location of the outlet box. The wall outlet power supply is 120v 15 amp. Use GFI as required. The GFI control can be located at the wall panel or outlet. The product includes a built-in 24v/1amp transformer, 8' power cord and 3-prong wall plug. Alternatively, product can be hard-wired directly into the electrical power supply by a qualified, licensed electrician. Secure all cords/cables to protect users from tripping.

WARNING: Follow all instructions to avoid serious injury or product damage. If any parts are damaged, contact MAX-Ability. Do not attempt to remove, modify, or repair damaged parts unless so instructed by MAX-Ability. Product should be installed by a qualified professional, e.g., a licensed contractor. MAX-Ability is not liable for injury or damage caused by improper mounting.

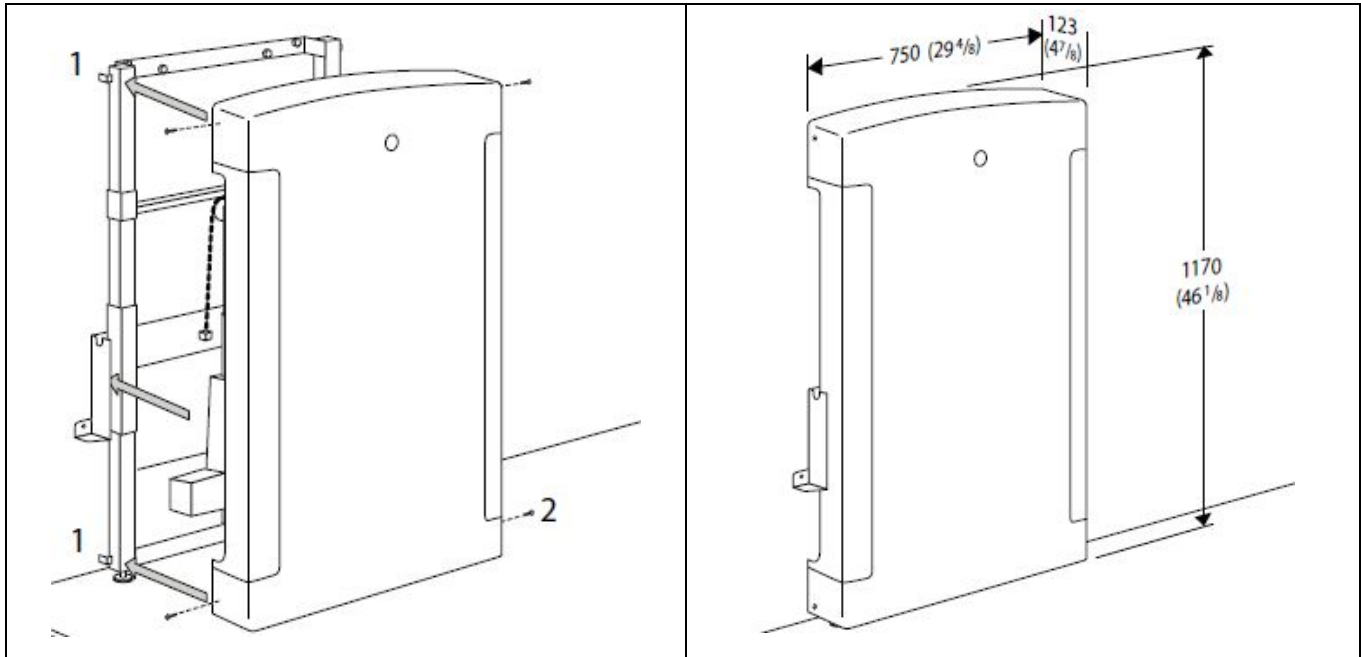
- Use indicated dimensions to mount changing table..
- Please protect wall panel components from dust during installation.

Troubleshooting Should you experience any difficulty, verify the correct current, and check the power and hand control plugs at the control box, making sure they are firmly connected. Check the operation manual for further troubleshooting tips. Please contact MAX-Ability for assistance.

Subject to change without further notice

www.max-ability.com 800-577-1555 Fax: 707-575-3856 email: Info@max-ability.com

rev. Feb 2017



Important!

Attention Product Owner / Installer:

Before using your newly installed Pressalit Care changing table for the first time, carefully inspect and ensure that:

All fasteners and anchors are tight.

The hand control wall bracket is installed (usually on the right side of the wall panel).

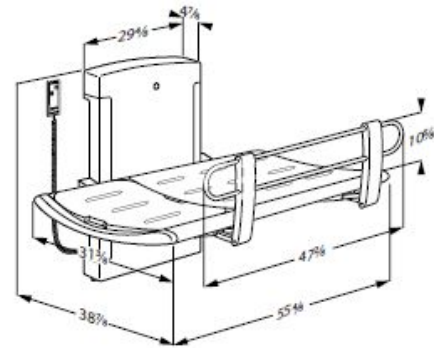
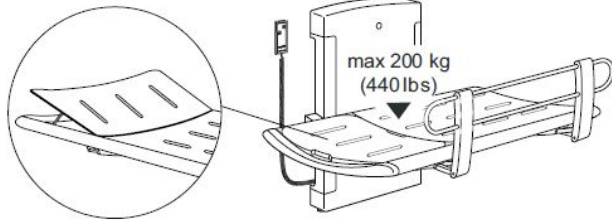
The safety rail and table folding mechanism operate correctly.

The flexible drain hose and connectors should not be installed if the table will only be used for changing.

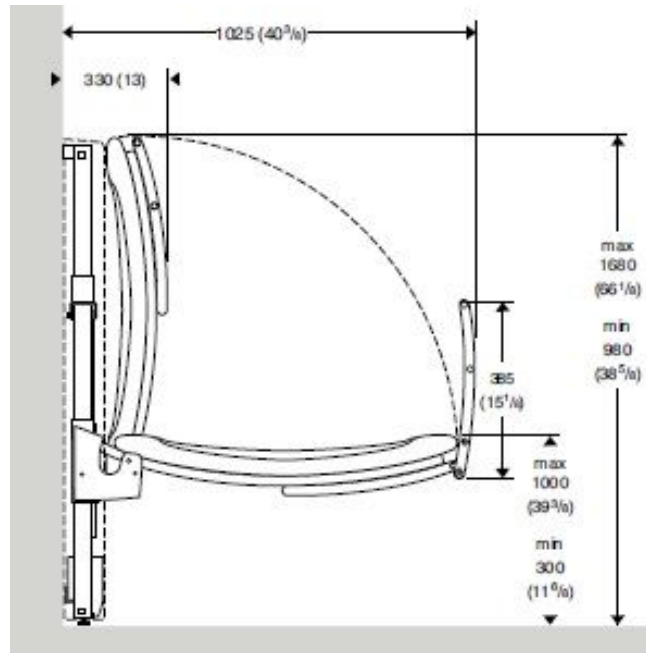
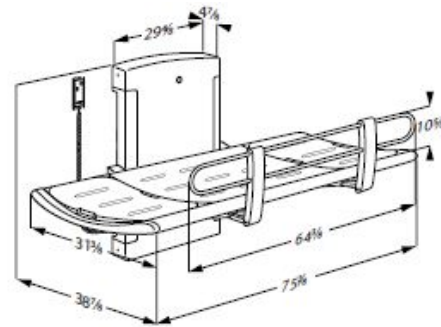
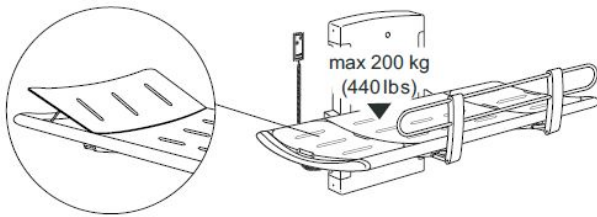
For height adjustable models: move the product to its highest and lowest levels to confirm that there are no obstructions (e.g., the power cord) in the wall panel. Refer to the user manual for inspection intervals, operation and cleaning procedures.

Subject to change without further notice

R8534



R8539



Subject to change without further notice