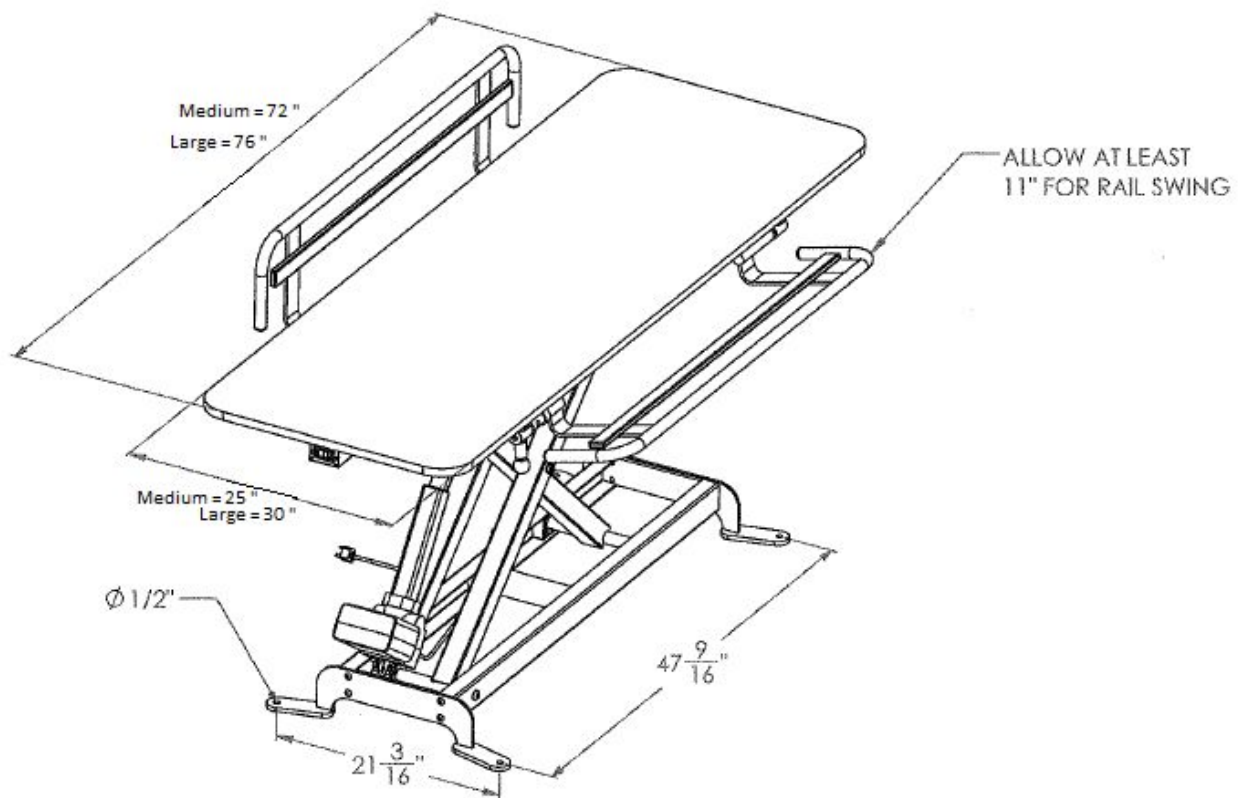


Armedica OmniMax Public Restroom Adult Changing Table

Models AM2572 (Medium size) / AM3076 (Large size)

Installation Drawing

Call us at 800 577-1555 for installation support or technical assistance.



Subject to change without further notice



Caution:

Follow all instructions to prevent serious injury or product damage. If any parts are damaged, contact MAX-Ability. Do not attempt to remove, modify, or repair damaged parts unless so instructed by MAX-Ability. Product should be installed by a qualified professional, e.g., a licensed contractor. MAX-Ability is not liable for injury or damage caused by improper mounting.

Important!

Before using your newly installed OmniMax for the first time, carefully inspect and ensure that:

- All fasteners and anchors are tight.
- The floor bracket is correctly installed.
- The safety rail (if appropriate) operates correctly.

Troubleshooting:

Should you experience any difficulty, verify the correct current, check the power, and make sure everything is firmly connected. Please contact MAX-Ability for further assistance.