

Pressalit 3000 Fixed Adult Changing Table



GRAPHITE GRAY MATTRESS:

SKU: R8435318301

EAN: 5708590374048

Previous version: R8523,
R8503

SAPPHIRE BLUE MATTRESS:

SKU: R8435318299

EAN: 5708590374031

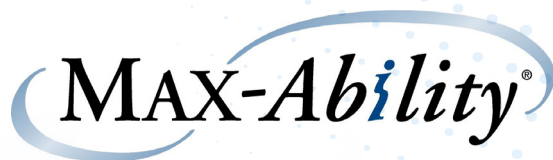
Previous version: R8523,
R8503

(special order – allow
4-6weeks for delivery)

Convenience & Accessibility

- ✓ More Features Than Any Other Changing Table
- ✓ Wall Mounted, Folding, Space Saving
- ✓ Maximum comfort and safety for user AND caregiver.
- ✓ Newly improved folding mechanism with smoother, safer action.
- ✓ Heavy-duty aluminum frame.
- ✓ Pneumatic counter balance.
- ✓ Suitable for use with hand-held shower.
- ✓ Removable durable 3-piece polyurethane foam mattress.
- ✓ Powder-lacquered stainless steel mounting bracket and anchors.
- ✓ Expected service life: 10 years (institutional use) with recommended maintenance.
- ✓ Accommodates anyone who can't use a toilet.
- ✓ Soft, comfortable, removable mattress
- ✓ Receiver tray captures fluids.
- ✓ Includes side rail, safety belt.

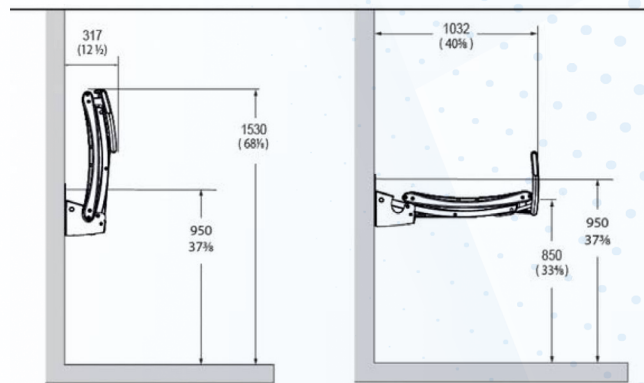
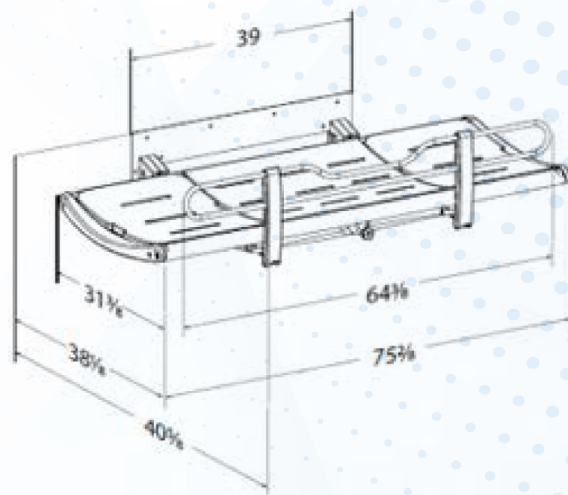
Retrofit friendly.
Anchors to wood blocking, masonry or concrete.
Mounting hardware included.



Pressalit 3000 Fixed Adult Changing Table

Go Beyond ADA. Take Abilities to the MAX!!!

- ✓ Product price and shipping discount when purchasing multiple units.
- ✓ Limited five year warranty.
- ✓ Exceptional service since 1993.
- ✓ Complete online pricing and quote requests.
- ✓ Table: 31" wide x 75.25" long
Projection from wall:
 - Folded: 13.25"
 - Unfolded: 39"
- ✓ Maximum user weight (MUM): 500 lbs.
- ✓ When the table is loaded with 500 lbs, each mounting bolt supports 132 lbs.
- ✓ Delivery: 1-2 weeks (Graphite Gray);
4-6 weeks (Sapphire Blue: special order)
- ✓ Also available in adjustable height and child sizes.



[CLICK HERE FOR MORE RESOURCES](#)

max-ability.com/resources/