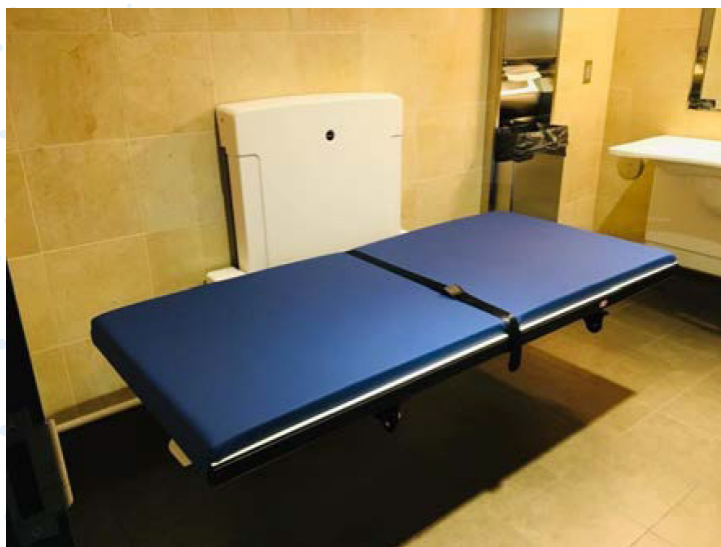


VersaMax Adult Restroom Changing Table



MANUAL FOLD:

SKU: R8594572000
EAN: 5708590358154
Previous version: R8594

ELECTRIC FOLD:

SKU: R8595572000
EAN: 5708590356952
Previous version: R8595

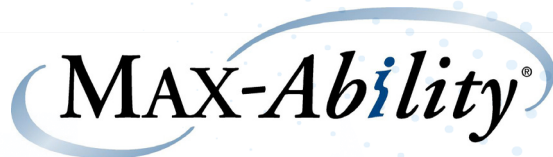
ELECTRIC FOLD WITH WALL CONTROL:

SKU: R8595572000/R8489
EAN: 5708590356952
Previous version: R8595/R8489

Convenience & Accessibility

- ✓ Perfect for Public/Customer/Commercial Restrooms
- ✓ Powered Adjustment, Wall Mounted, Folding
- ✓ Adult size accommodates everyone - babies, children and adults
- ✓ Powder lacquered stainless steel.
- ✓ Plastics (PVC, Polystyrene).
- ✓ Compact laminate.
- ✓ Designed for easy clean-up.
- ✓ Stain resistant construction.
- ✓ No removable parts.
- ✓ No exposed cables.
- ✓ Secure fittings.
- ✓ Integrated controls.
- ✓ Optional mattress available.
- ✓ Expected service life: 10 years (institutional use) with recommended maintenance.
- ✓ Accommodates anyone who can't use a toilet.
- ✓ Tamper/vandal resistant.
- ✓ Choose manual or electric folding mechanism.
- ✓ Includes side rail, safety belt, wired hand control.

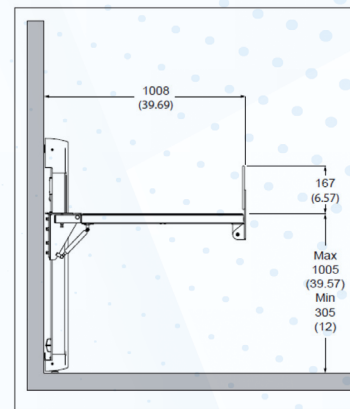
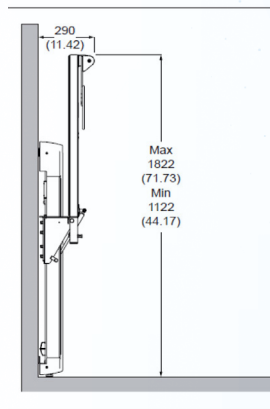
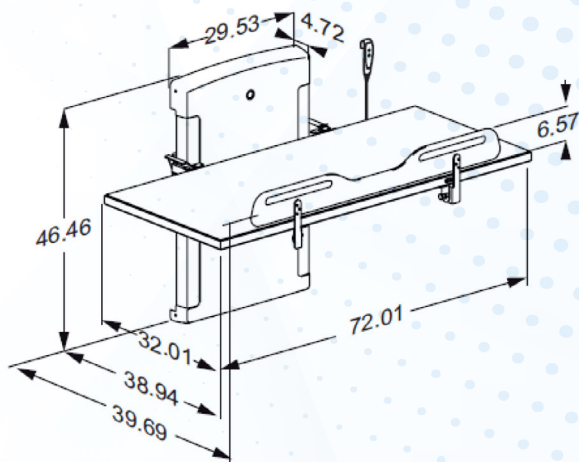
Retrofit friendly.
Anchors to wood blocking, masonry or concrete.
Mounting hardware included.



VersaMax Adult Restroom Changing Table

Go Beyond ADA. Take Abilities to the MAX!!!

- ✓ Product price and shipping discount when purchasing multiple units.
- ✓ Limited five year warranty.
- ✓ Exceptional service since 1993.
- ✓ Complete online pricing and quote requests.
- ✓ Table: 32" wide x 72" long
Projection from wall:
Adjusts from 12" to 39.5"
- ✓ Weight capacity: 440 lbs
- ✓ Delivery: 1-2 weeks
- ✓ Operates at 24v/1amp via 120v wall outlet.
- ✓ Integrated transformer and US 8' power cord included.
- ✓ Linak liquid tight actuator and control system.
- ✓ Noise level: 48 decibel. Whisper quiet.
- ✓ All components, including hand control, are sealed, waterproof..



[CLICK HERE FOR MORE RESOURCES](#)

max-ability.com/resources/