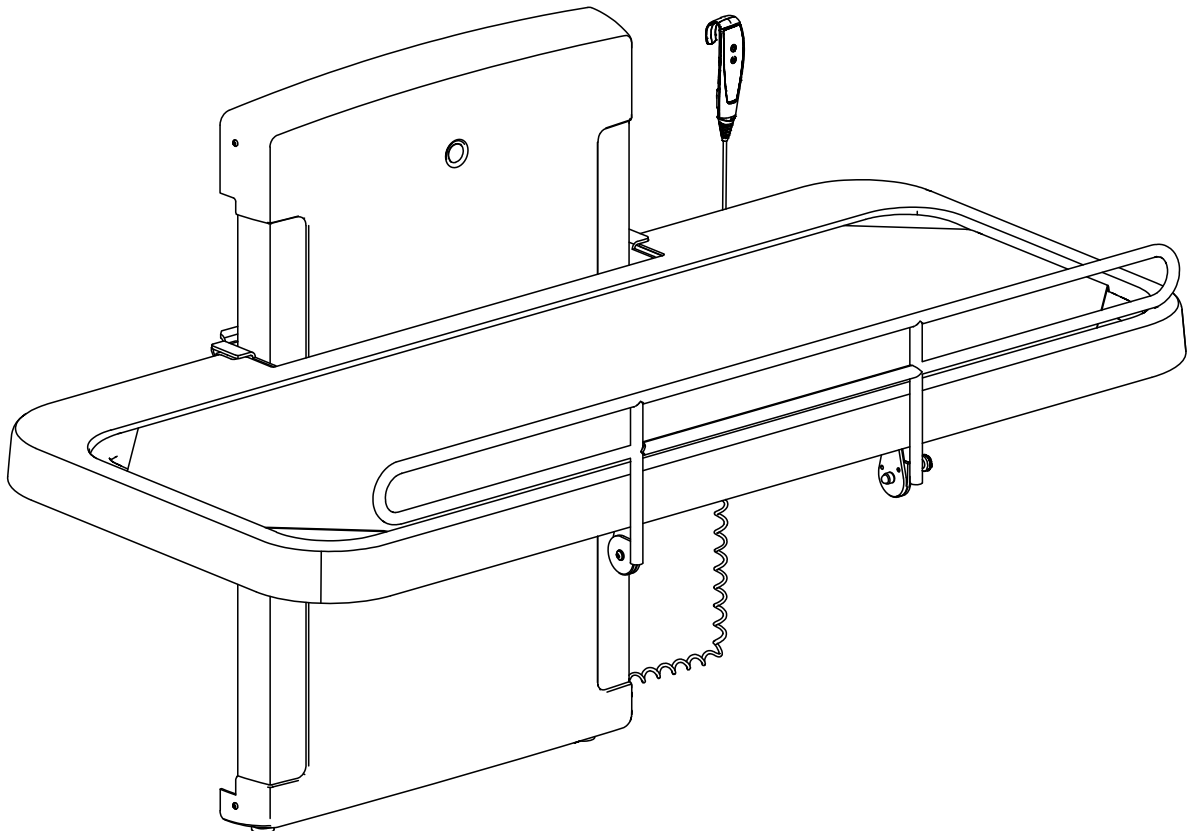


**Pressalit 2000  
Hi Lo Changing Table**



Model 2100  
Coated Canvas Mattress: R8591418000 - EAN: 5708590376134  
Previous version: R8592418

Model 2000  
Removable Mesh Mattress: R8591218000 - EAN: 5708590376127  
Previous version: R8478

Subject to change without further notice.



**EN Mounting Instruction**

Please read and carefully follow these instructions. Find the product number on the product label and ensure that these assembly instructions match your product.



**WARNING:** Failure to comply with these instructions may result in accidents involving serious personal injury or the product being damaged.

**WARNING:** If you suspect that any individual parts may be damaged, contact your Pressalit dealer or service provider. Do not remove, attempt to repair or install parts yourself, unless directed to do so by Pressalit or its agents.

**WARNING:** No modification of this equipment is allowed without express authorization from Pressalit.

**WARNING:** These instructions must be followed, and the product must be installed professionally by a qualified person; e.g. a licensed plumber, in order to avoid personal injury or property damage while using the product.

**WARNING:** Pressalit cannot be held liable for injury to persons or damage to property caused by faulty mounting.

**Installation location**

This product is designed for indoor use in a wet environment, such as a bathroom or washroom. It may only be used in an environment corresponding to the system's IP rating. Ensure that the installation location environment also complies with the following operating parameters of the product:

Environmental factor	Operating range
Temperature	5°C to 40°C ( 41°F to 104°F)
Relative humidity	20% to 90% @ 30°C (86°F) (condensation free)
Atmospheric pressure	700 to 1060 hPa



**WARNING:** Medical electrical equipment needs special precautions regarding electromagnetic compatibility (EMC) and needs to be installed and put into service in accordance with the EMC information (provided in your product's operating instructions). It is unlikely that the user will encounter problems with the product because of inadequate electromagnetic compatibility.

However, electromagnetic immunity is always relative and standards anticipate environments of usage. Portable and mobile RF communications equipment can affect medical electrical equipment. When the product is connected to the local mains power supply, we recommend the use of electromagnetic shielding and similar preventative measures to avoid conducted emissions.

When choosing an installation location, ensure that there will be adequate space for movement of—and access to—the product.

**Assembly and installation**

Mount the product in accordance with the illustrations in this assembly instruction. Connect the product components—hand control unit, motor, control box and power cable—to each other as shown. Ensure that the connectors are pressed in as far as possible into their corresponding sockets.

**Connection to the mains supply**

There is a range of potential configurations to connect the product to the mains power supply. See pages with ☺. The product is supplied with a plug attached, but this may need to be replaced with an IP-rated plug and socket combination appropriate to the location of the socket relative to moisture, or alternatively the product may be hardwired to a mains supply.

**WARNING:** Ensure that the circuit on the mains supply side is isolated from power while connecting the product to the mains supply.



**WARNING:** The product must be connected to the mains supply and a protective earth connection by a qualified electrician in accordance with IEC 60601-1 and IEC 60364-7, as well as any locally applicable standards.

**WARNING:** Ensure that the voltage of the local mains supply to be connected is compliant with that stated on the label on the product.



**WARNING:** To ensure protection by electrical separation, the product must be supplied by a mains supply circuit that does not supply power to any other equipment, unless it incorporates a residual current protective device (RCD) with a rated residual operating current not exceeding 30 mA. The circuit must be grounded using a protective earth connection and able to be isolated from mains supply by means of a switch installed in a wall or cabinet.

**WARNING:** The integrity of the external protective earthing system must be verified.

**WARNING:** The installer must verify that the protective earth terminal of the control box is connected to the external protective earthing system.

**WARNING:** Ensure that location of the mains isolation switch or coupling is easy to access and use.

**WARNING:** External cables need to be fixed in such a way that users cannot stumble and injure themselves.

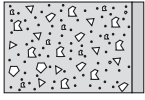
**Troubleshooting**

If the product does not function, check that that all cables are securely connected, and that the electrical circuit is powered. A more detailed troubleshooting guide can be found in the product's operation and maintenance manual. Contact your Pressalit agent, if assistance is needed when installing the product.

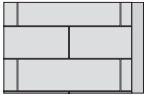
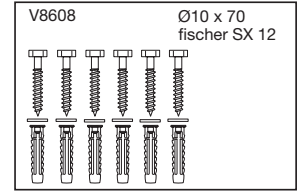
# Installation Drawing



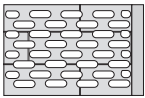
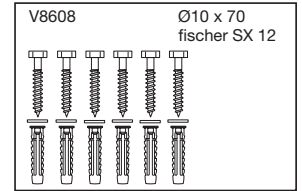
**PRESSALIT**  
www.max-ability.com



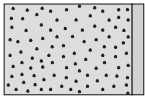
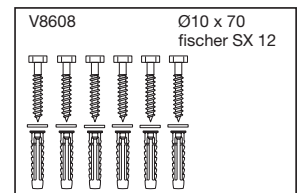
Concrete >B25



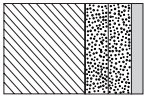
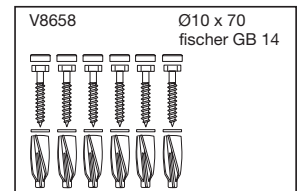
Solid Brick  $\geq$  Mz12



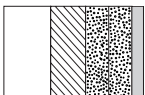
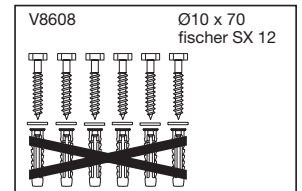
Solid Sand Lime Brick  $\geq$  Hlz12



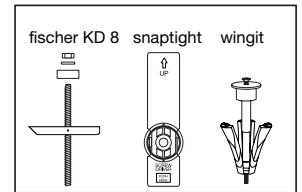
Aerated Concrete P4



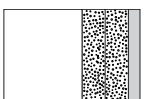
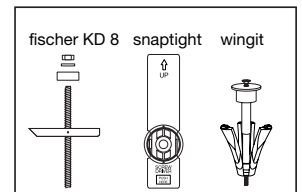
Drywall water-resistant, re-enforced with wood  
(2 x 12,5 mm)



Drywall water-resistant, re-enforced with plywood  
(2 x 12,5 mm)  
22 mm



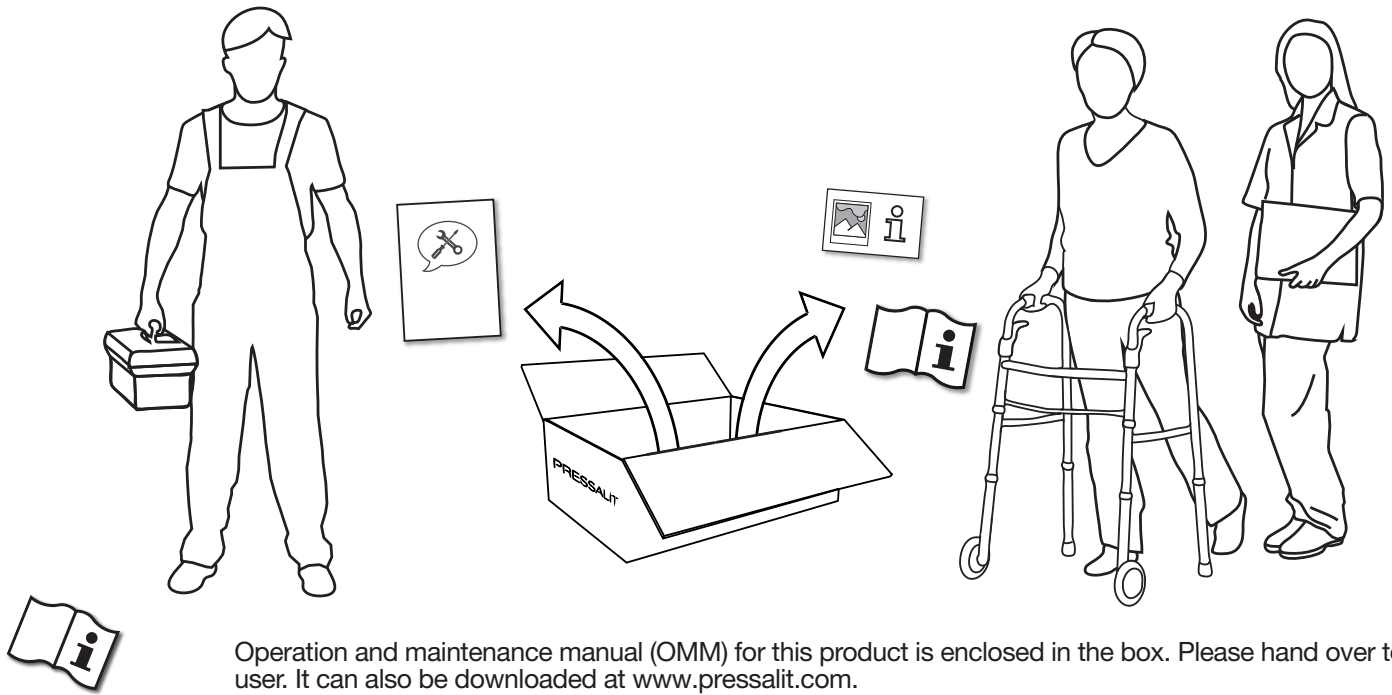
Drywall water-resistant, re-enforced with steel plates  
(2 x 12,5 mm)  
2 mm



Drywall water-resistant  
(2 x 12,5 mm)



Concrete anchors included at no additional charge.

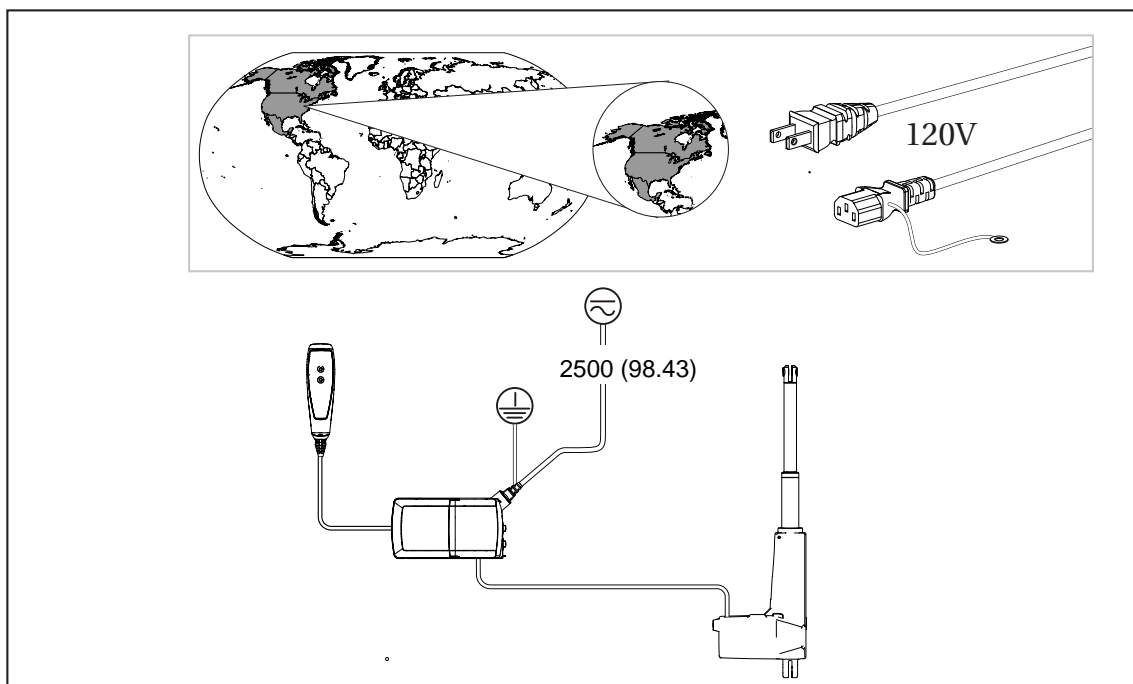


Operation and maintenance manual (OMM) for this product is enclosed in the box. Please hand over to the user. It can also be downloaded at [www.pressalit.com](http://www.pressalit.com).

An operation signage (quick guide) for use by people with reading or cognitive disabilities, is enclosed in the box. It can also be downloaded at [www.pressalit.com](http://www.pressalit.com). User information is not available in braille.

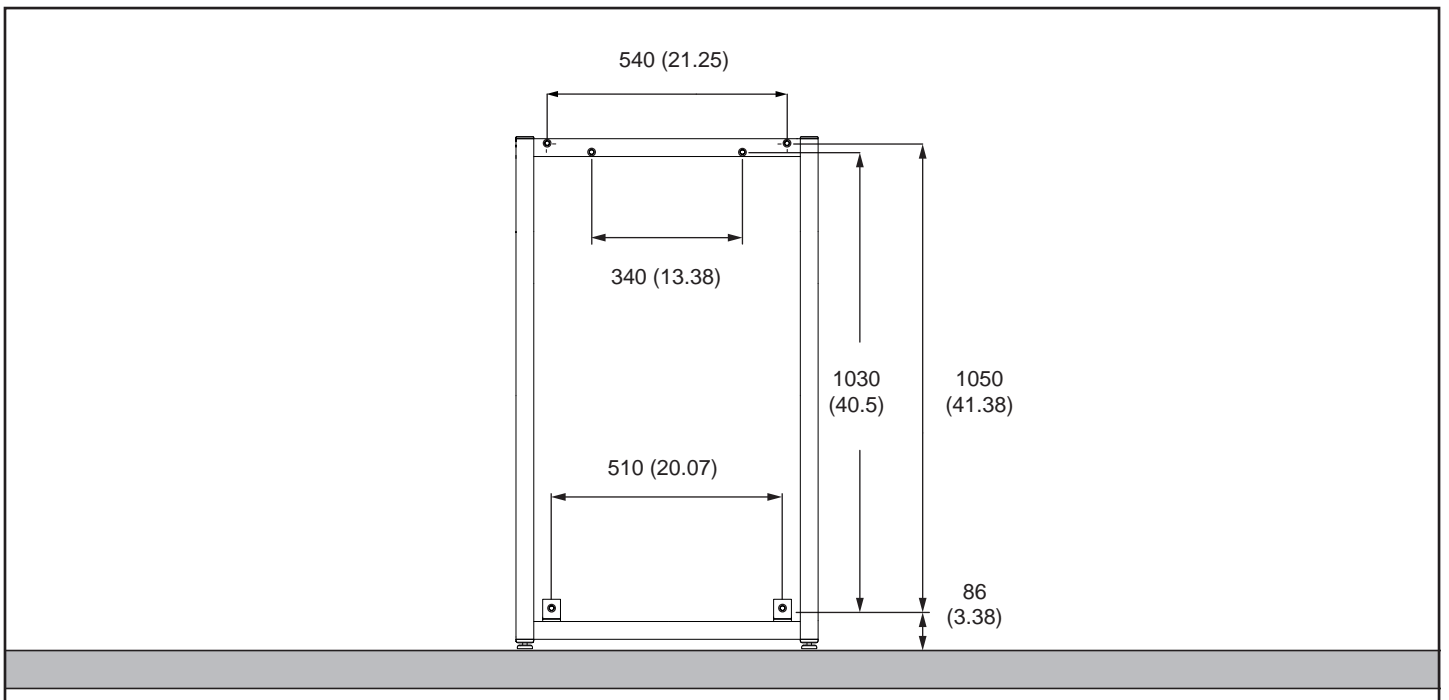
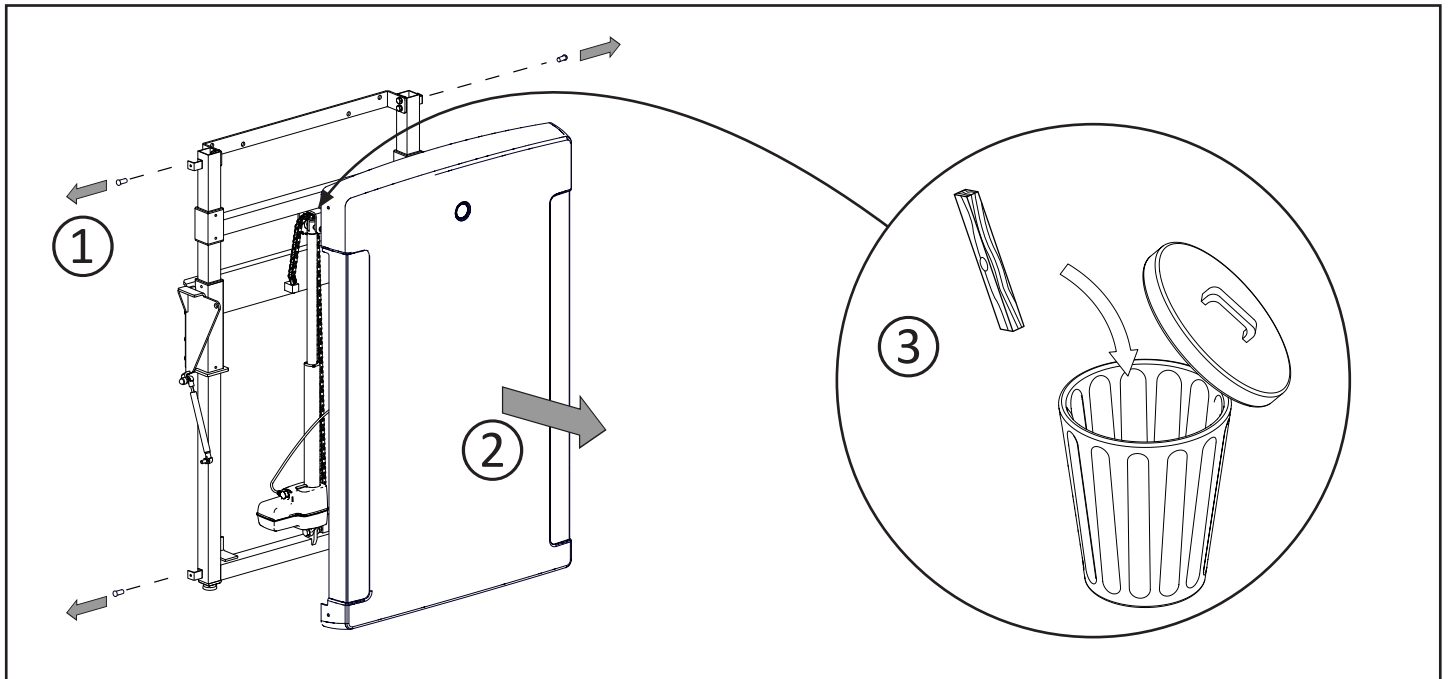
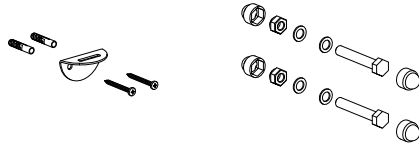
### Ingress protection rating: IPX6

Water projected in powerful jets—from a nozzle size up to 12.5 mm/0.49" — against the product from any direction shall have no harmful effects.

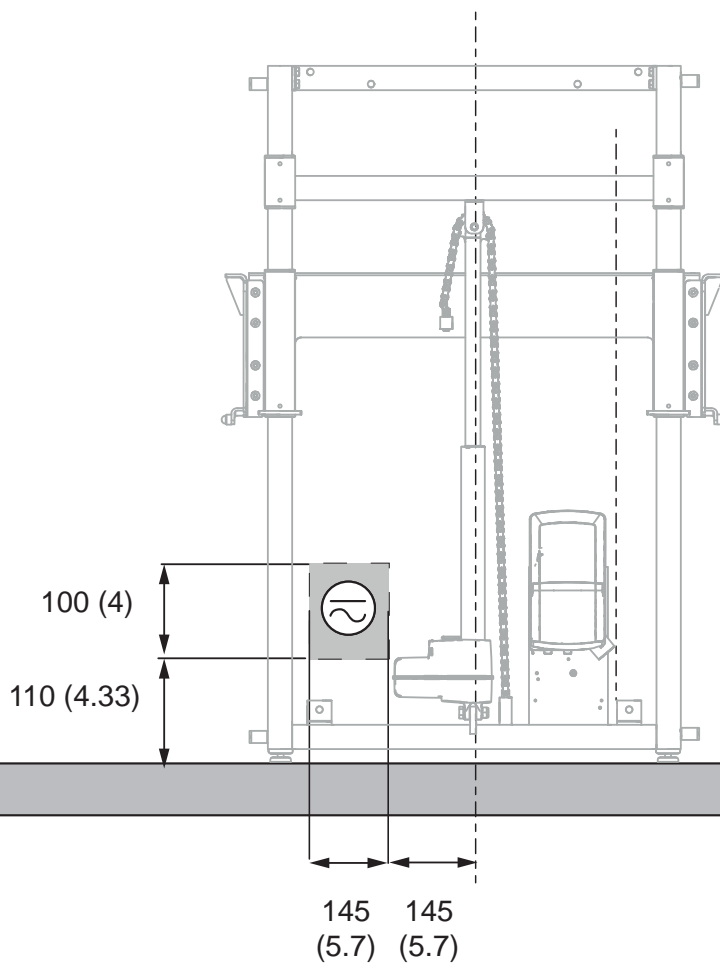
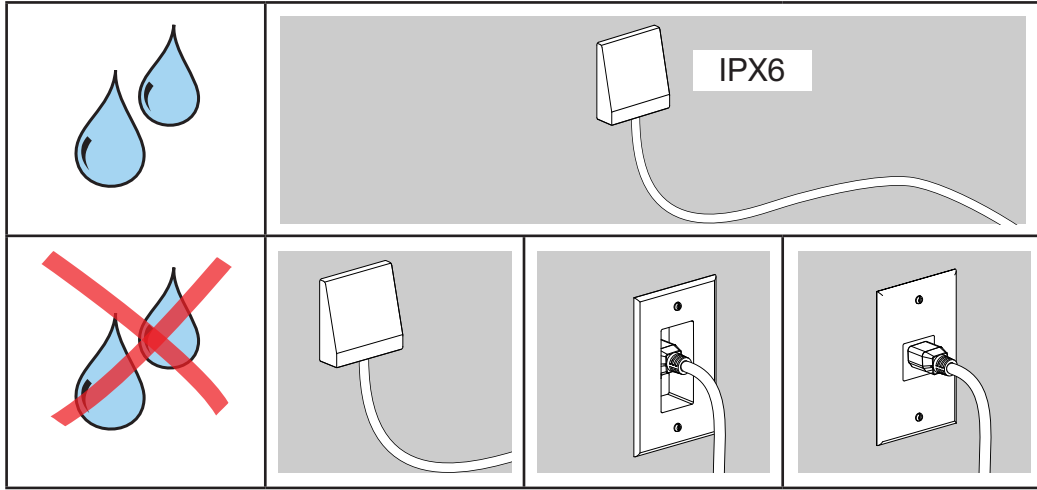


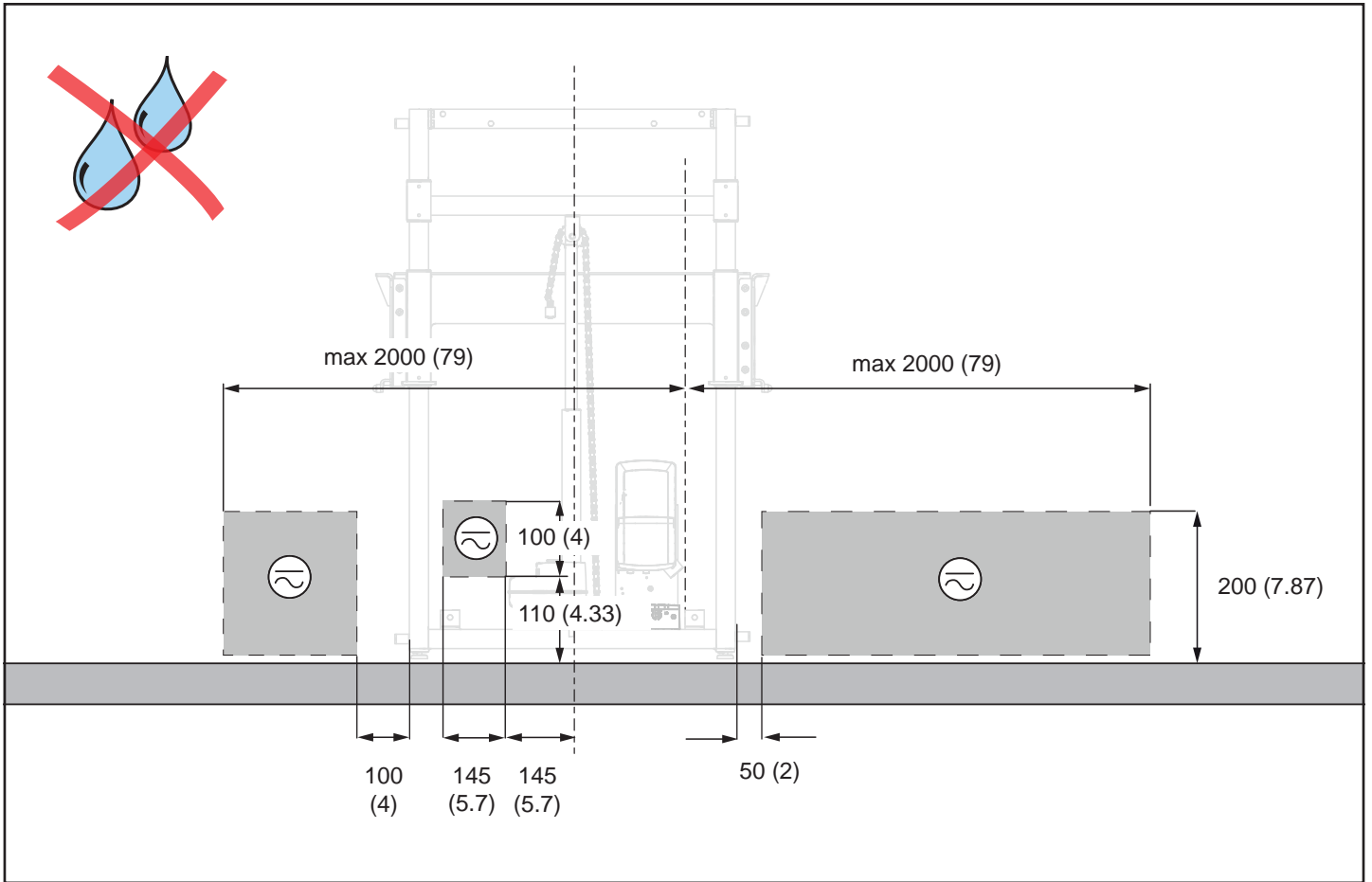


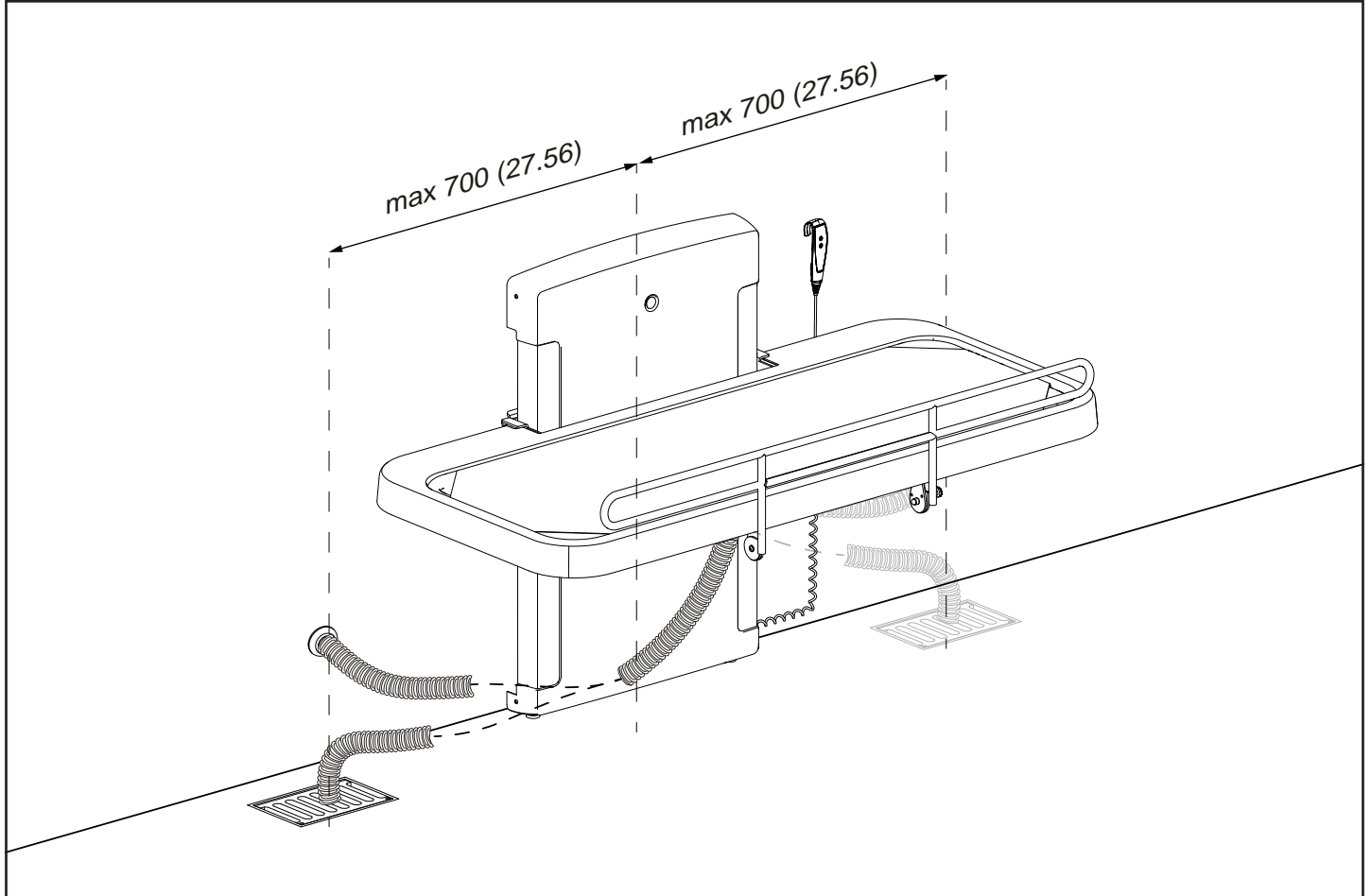
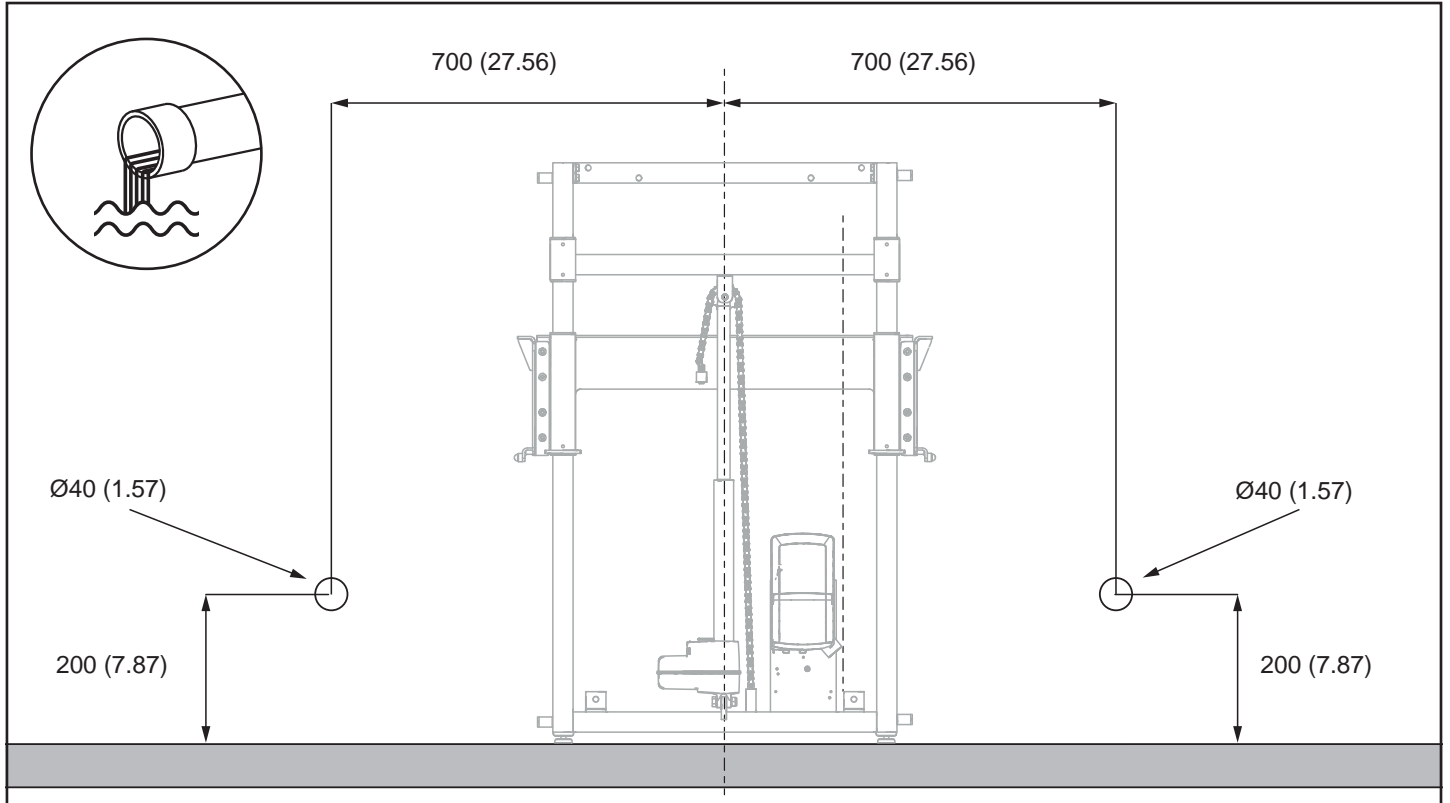
V8576

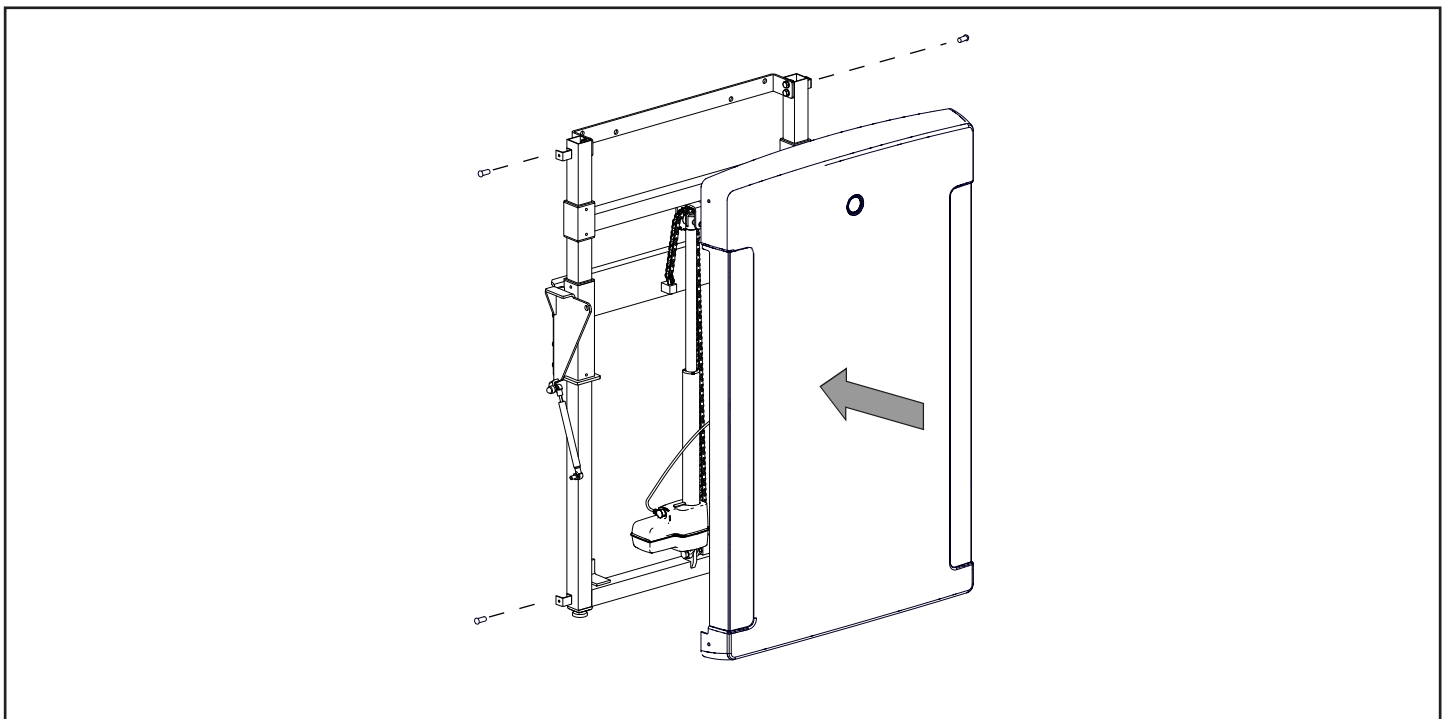
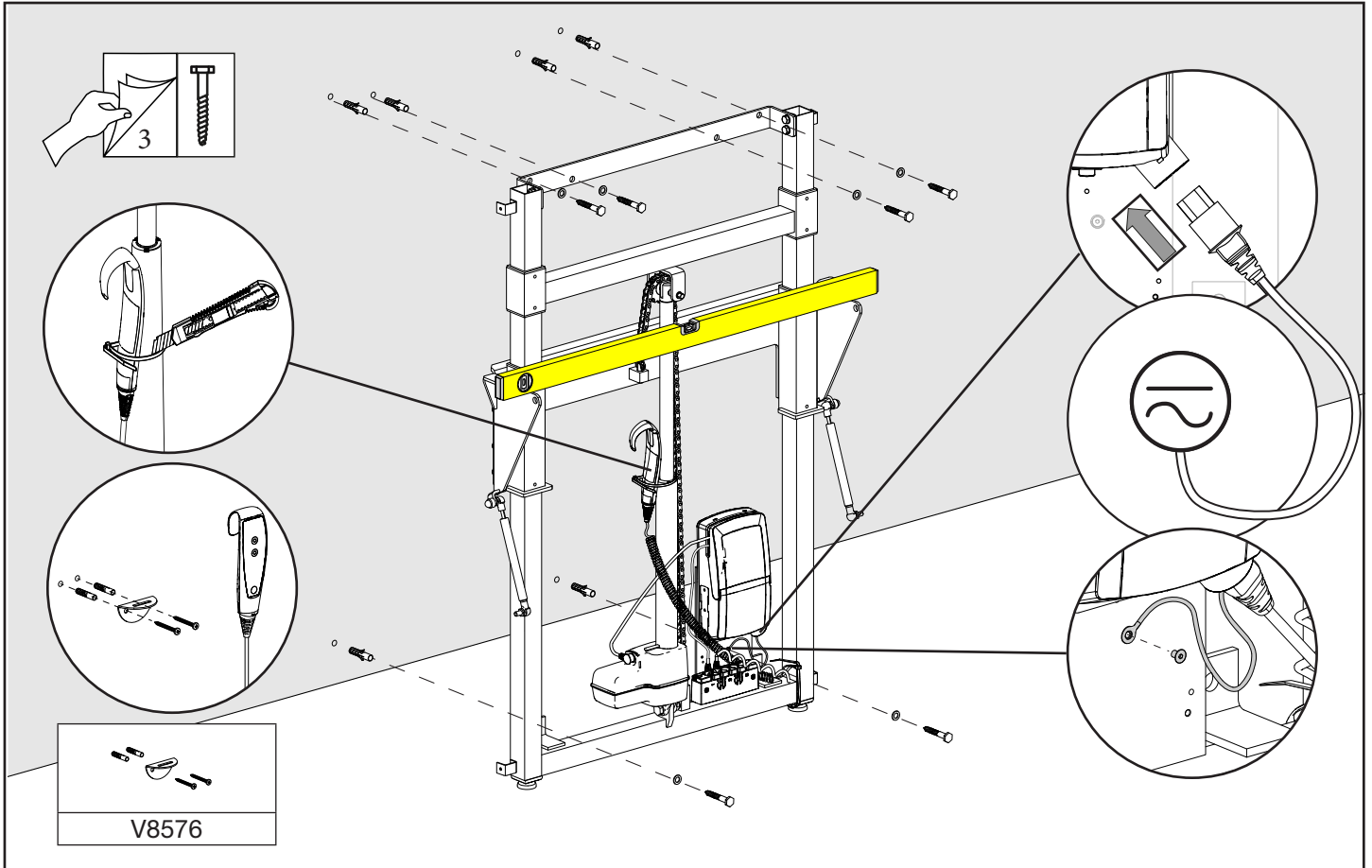


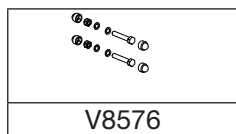
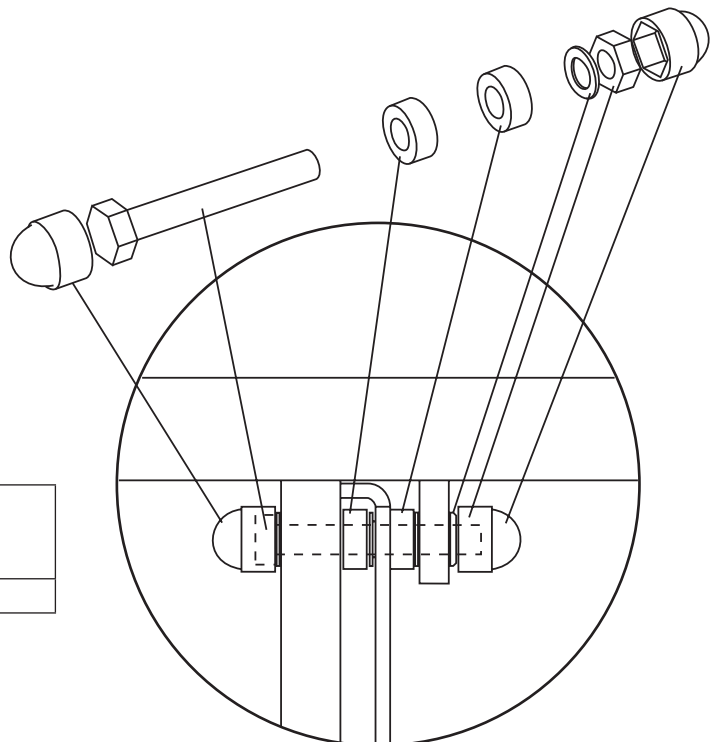
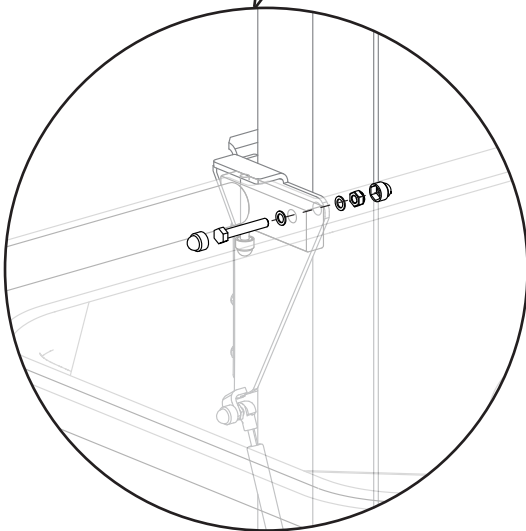
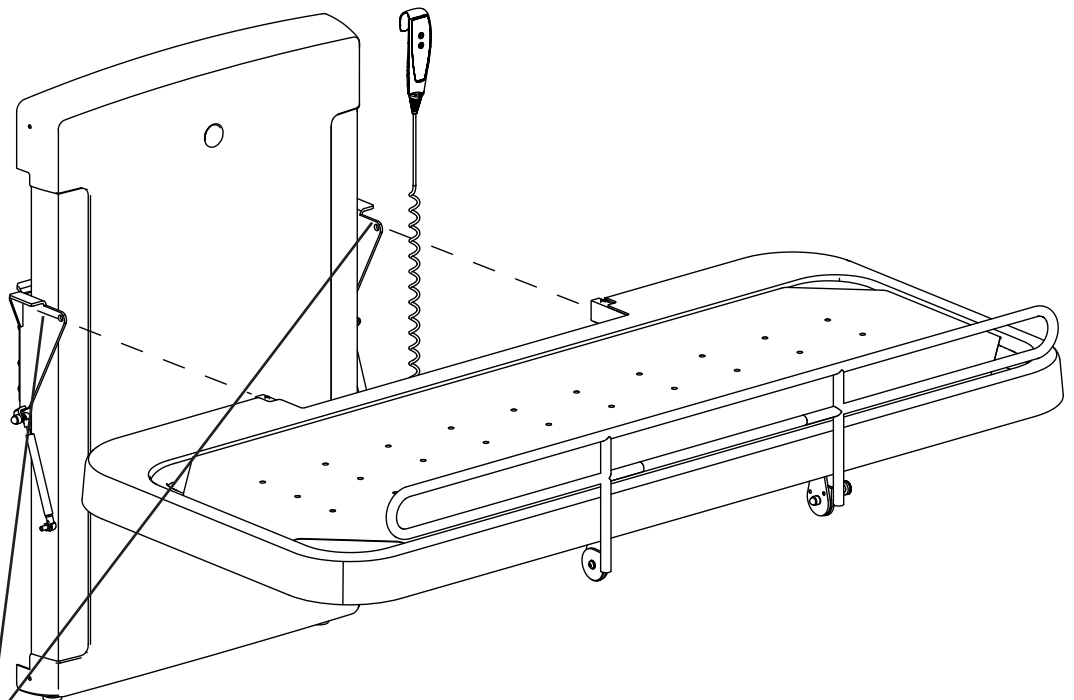
12

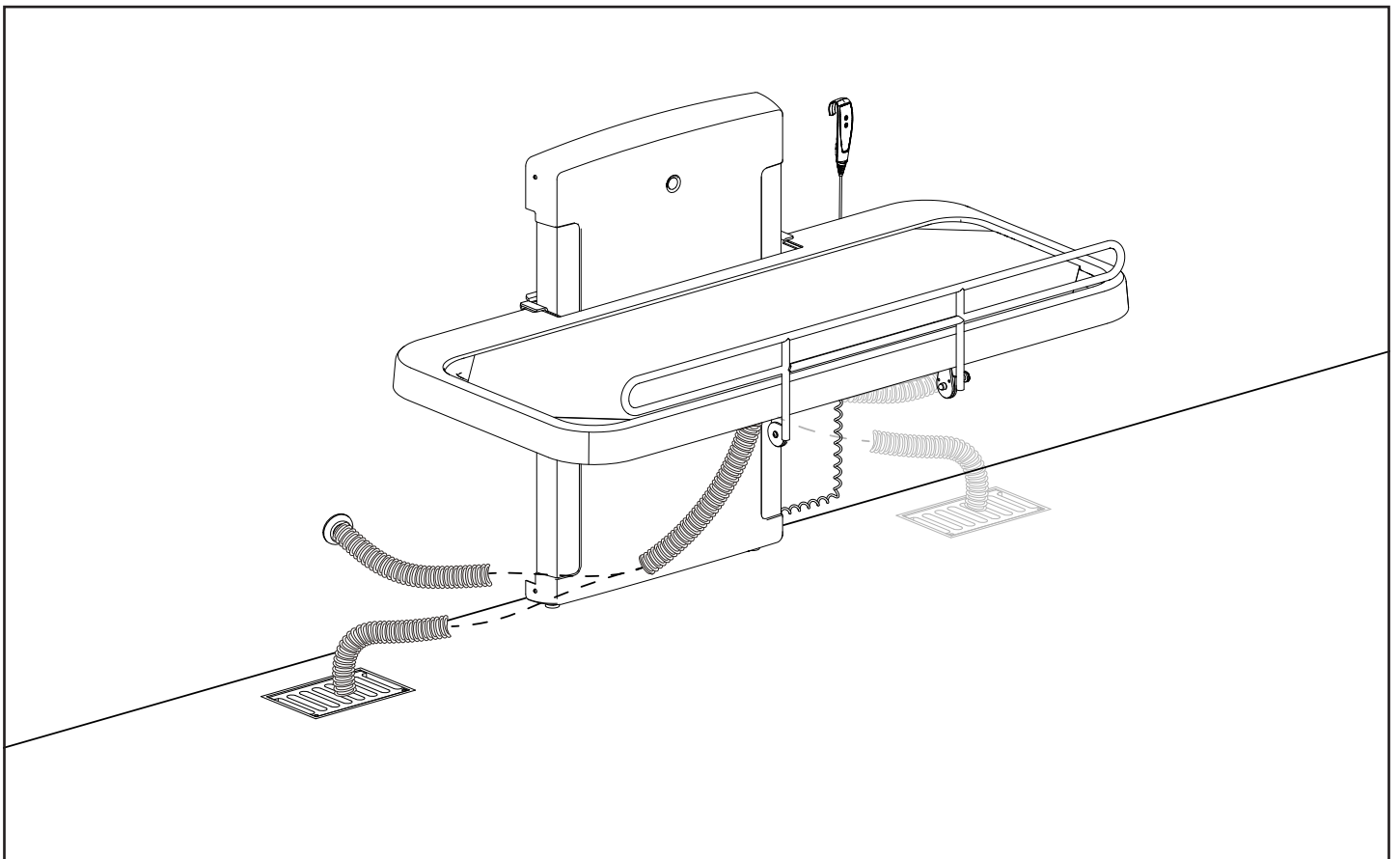
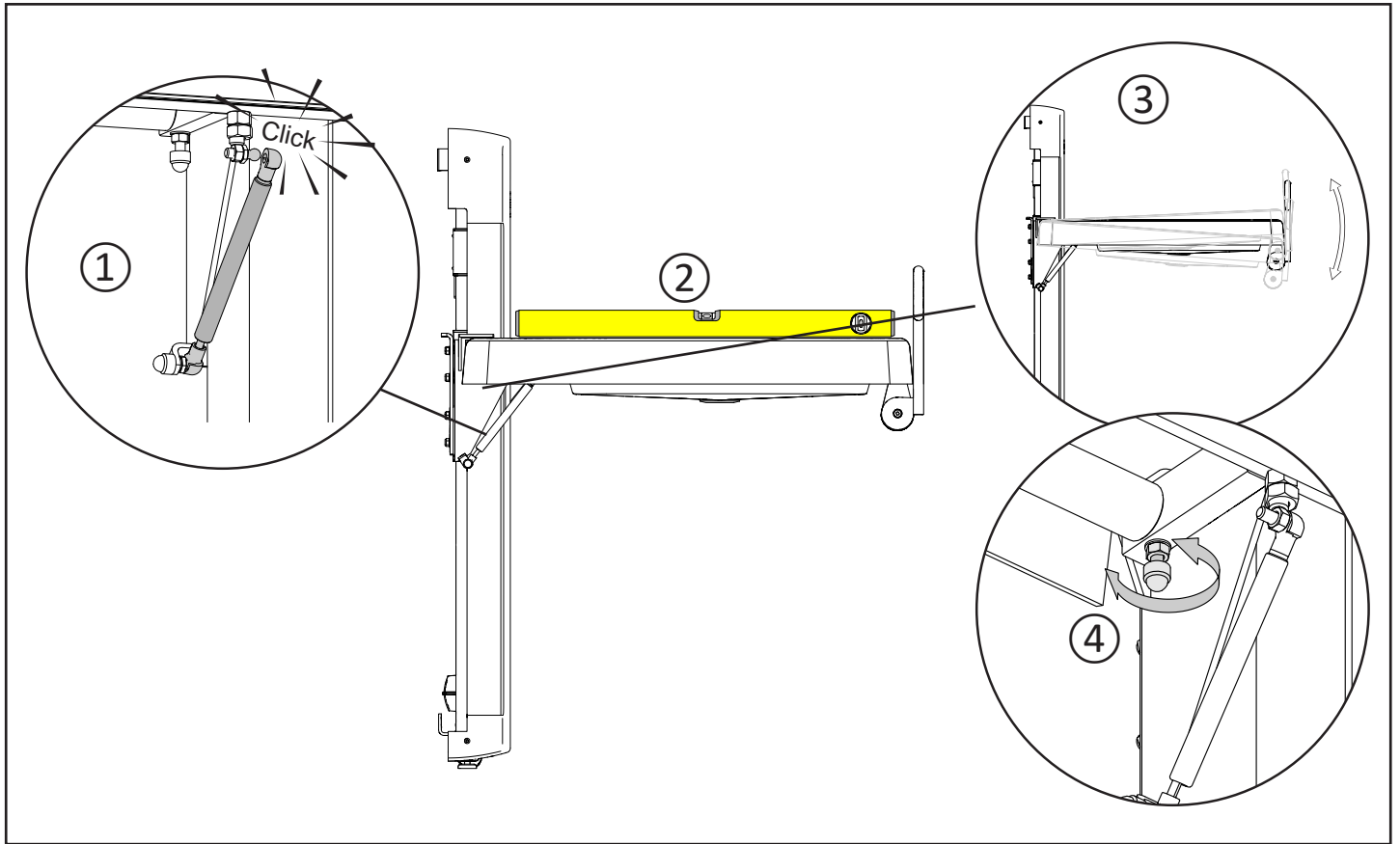




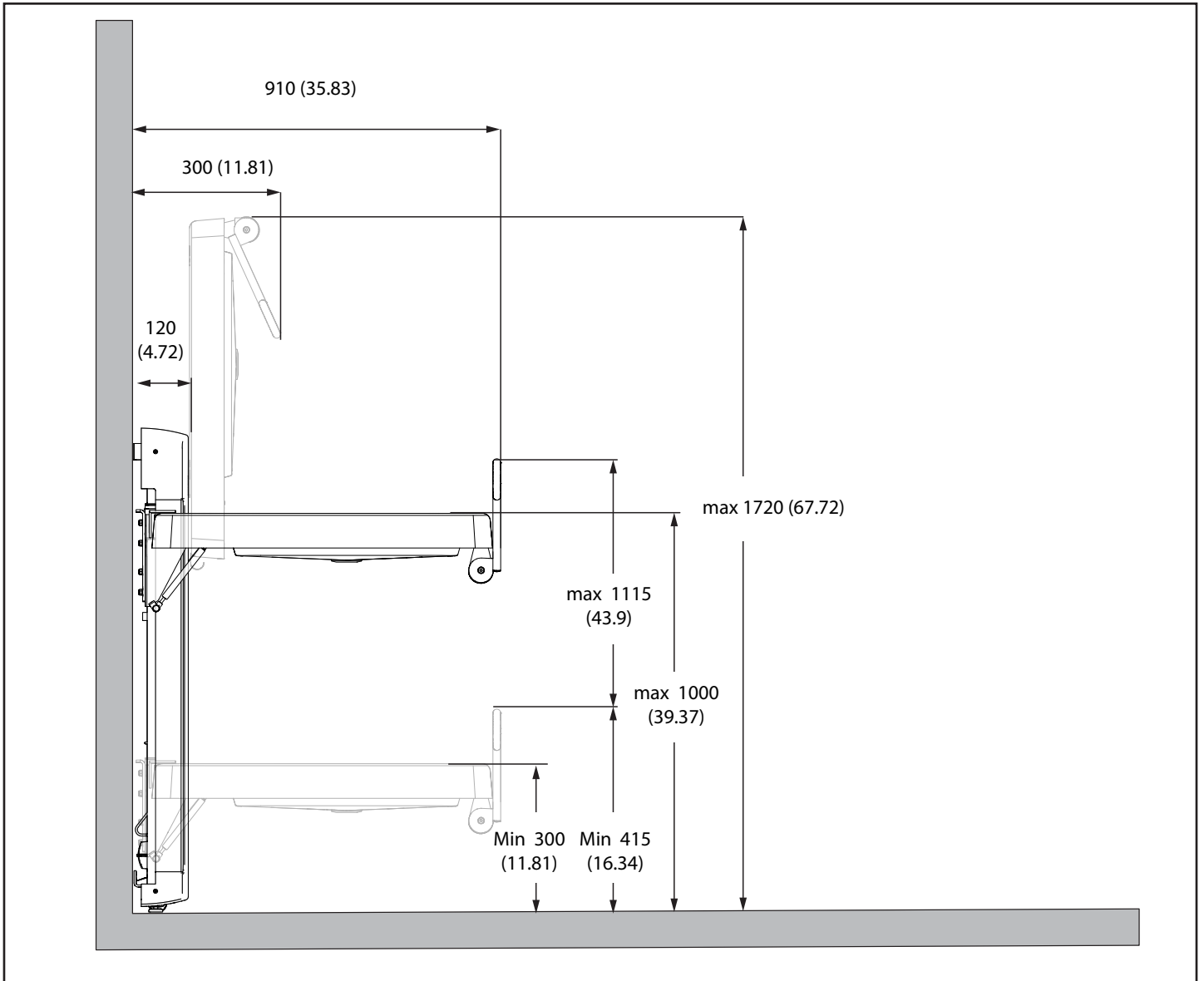


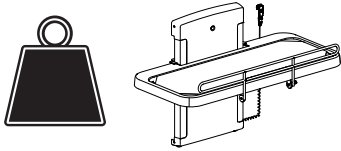












Product weight: 161 lbs



Weight capacity: 385 lbs

Model 2100

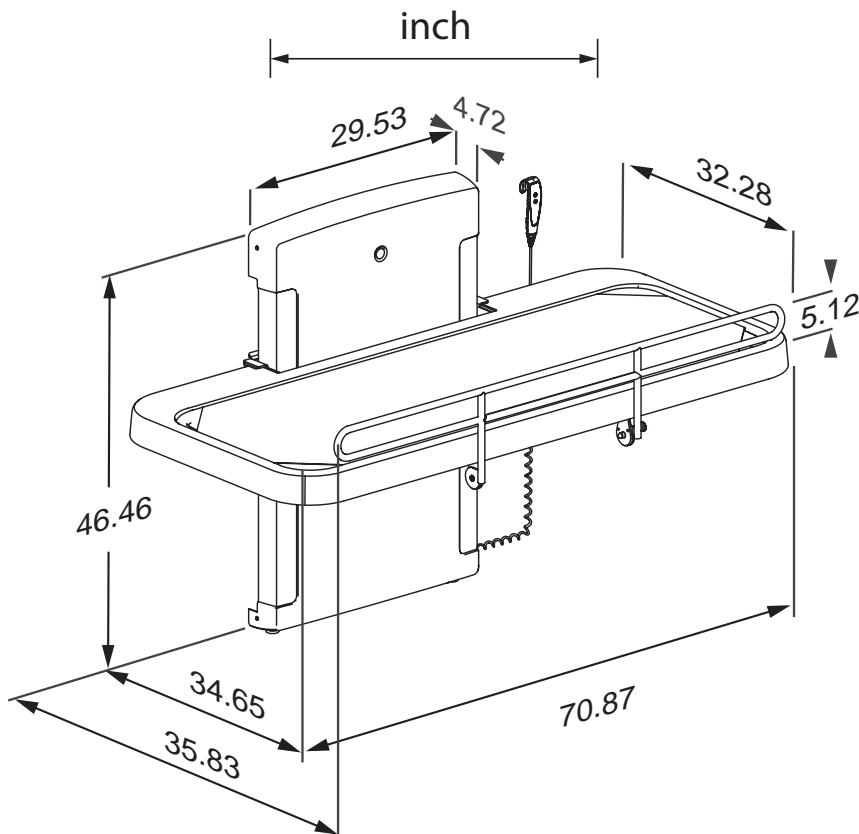
Coated Canvas Mattress: R8591418000 - EAN: 5708590376134

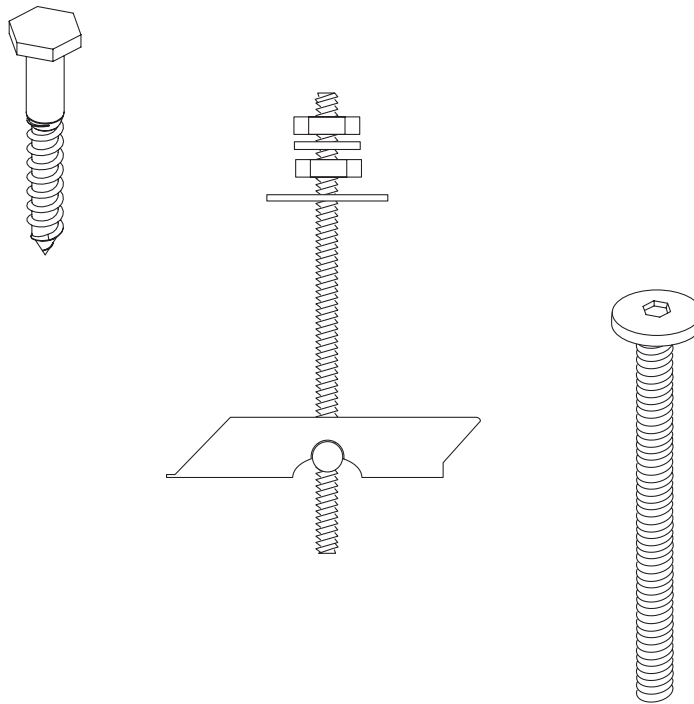
Previous version: R8592418

Model 2000

Removable Mesh Mattress: R8591218000 - EAN: 5708590376127

Previous version: R8478





**(US)** Load bearing installation recommendations

- Pressalit can only be held responsible for installations carried out by Pressalit's own installers.
- Pressalit can not be held responsible for reinforcements made in a faulty manner.
- The below recommendations are based on experience and internal test results.
- The below recommendations are to be considered as guidelines only.
- Subject to alteration without further notice.

This advisory document shows the maximum load capacity for individual bolts and other types of anchors that can be used for fixing Pressalit's products to the wall.

The maximum load capacities shown below are per bolt/anchor and must be considered in relation to the information provided for the product that is being fitted. The information specific to the product will show how great the load is on each fixing point when the product is used at its recommended safe working load.

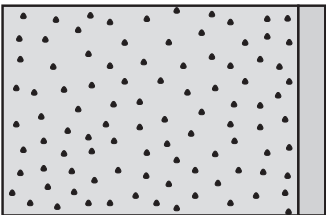

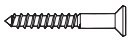

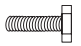




Only if the load on each fixing point of a given product is less than the maximum load capacity of the type of bolt/anchor under consideration, should the bolt/anchor in question be used.

**E.g.**

**One might wish to fit an adult changing table 3000 to an aerated concrete wall:**

Maximum load                      Maximum load: 440 lbs.  
When the bench is loaded with 440 lbs, each mounting bolt supports 57 lbs.

Each fixing point is here carrying a load of 57 lbs, and the bolts typically recommended for aerated concrete (Ø10, M8, M10) all have a maximum load capacity that is higher than 57 lbs, so they can all be used.

Aerated Concrete P4	Plug	Anchor / Bolt	Maximum load
	fischer GB 14 	Ø10 x 80-105 	198 lbs
	fischer FTP M 8 	M8 x 35 	143 lbs
	fischer FTP M 8 	M8 X 35 	143 lbs
	fischer FTP K 6 	M5 x 50 	88 lbs

Please refer to installation drawings and specification pages (go to max-ability.com) for further information about which types of bolts/anchors are recommended on specific wall types.

MAX-Ability provides concrete anchors at no additional charge.

Other fixing kits should be ordered separately.



## Choose the appropriate anchor for your wall

Concrete > B25	Plug	Anchor	Maximum load
	fischer SX 12 	Ø10 x 70/80 	375 lbs.
	fischer SX 10 	Ø8 x 70/80 	265 lbs
	fischer SX 6 	Ø5 x 50 	143 lbs
Solid brick >= Mz12	Plug	Anchor	Maximum load
	fischer SX 12 	Ø10 x 70/80 	154 lbs
	fischer SX 10 	Ø8 x 70/80 	132 lbs
	fischer SX 6 	Ø5 x 50 	66 lbs
Solid sand lime brick >= Hlz12	Plug	Anchor	Maximum load
	fischer SX 12 	Ø10 x 70/80 	375 lbs
	fischer SX 10 	Ø8 x 70/80 	265 lbs
	fischer SX 6 	Ø5 x 50 	110 lbs
Aerated Concrete P4	Plug	Anchor / Bolt	Maximum load
	fischer GB 14 	Ø10 x 80-105 	198 lbs
	fischer FTP M 8 	M8 x 35 	143 lbs
	fischer FTP M 8 	M8 X 35 	143 lbs
	fischer FTP K 6 	M5 x 50 	88 lbs

# Wall Types



PRESSALIT®

www.max-ability.com

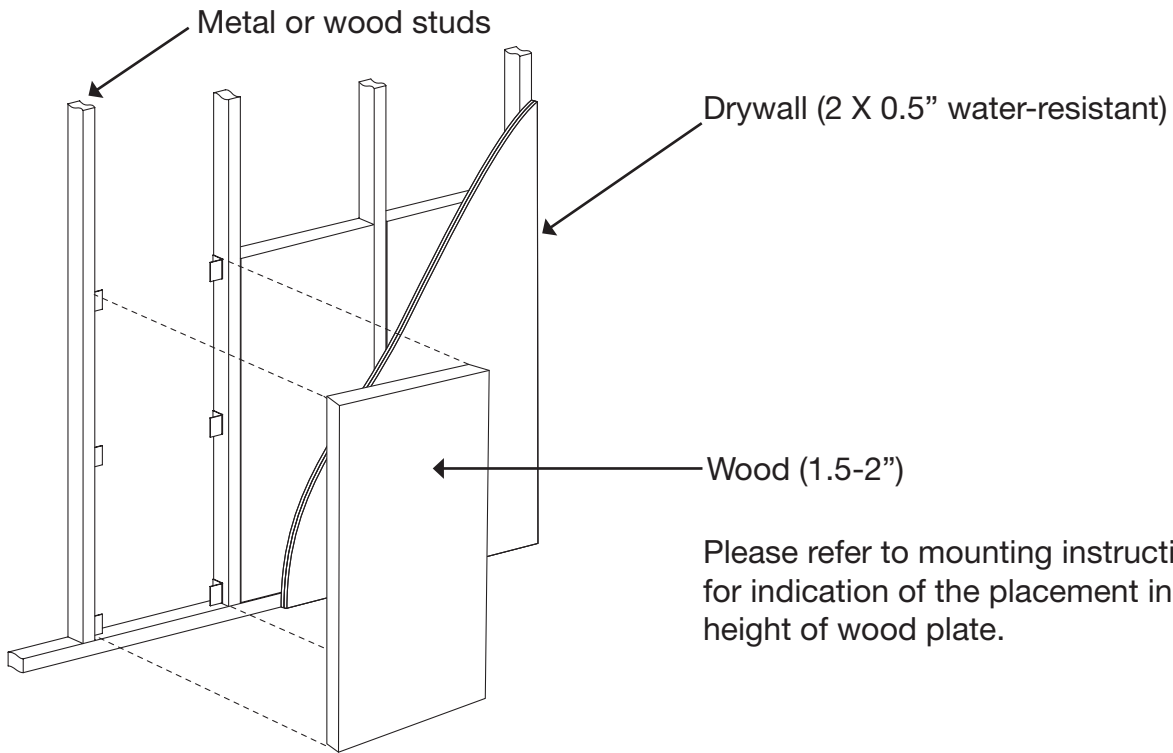
2019-06-07 · 4/7

Drywall (2 X 0.5") water-resistant, re-enforced with wood	Anchor	Maximum load
	Ø10 x 70/80 	265 lbs
	Ø8 x 70/80 	220 lbs
	Ø5 x 50 	88 lbs
Drywall (2 X 0.5") water-resistant, re-enforced with 1" plywood	Anchor	Maximum load
	fischer KD8 toggle 	293 lbs
	Wingit 	293 lbs
	Snaptight 	293 lbs
Drywall (2 X 0.5") water-resistant, re-enforced with steel plates (0.1")	Anchor	Maximum load
	fischer KD8 toggle 	207 lbs
	Wingit 	207 lbs
	Snaptight 	207 lbs
Drywall (2 X 0.5") water-resistant	Anchor	Maximum load
	fischer KD8 toggle 	187 lbs
	Wingit 	187 lbs
	Snaptight 	187 lbs

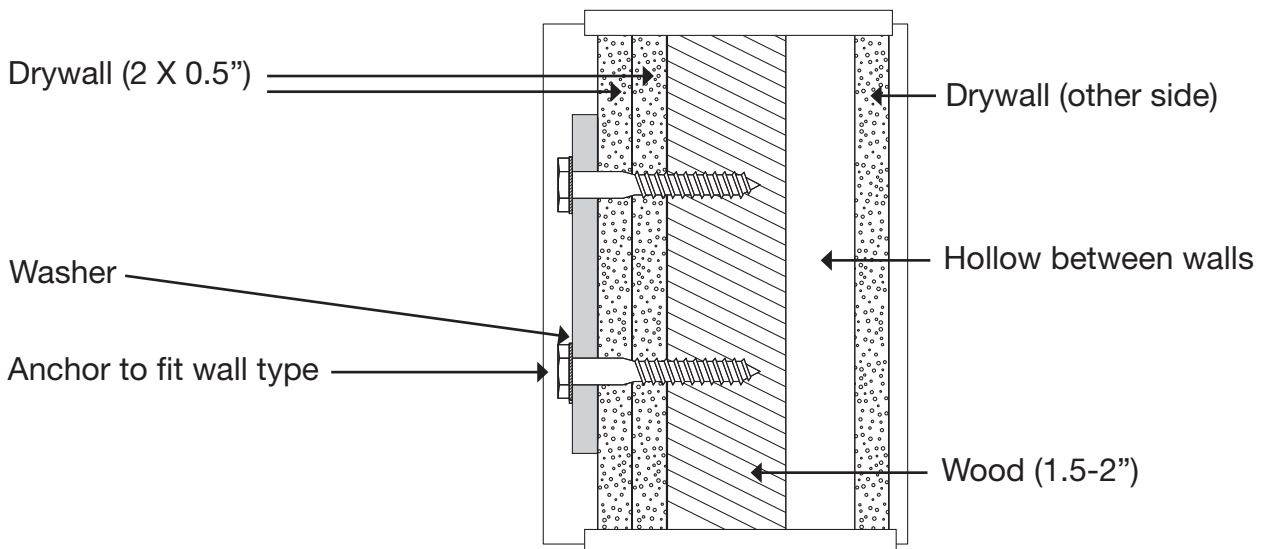


## Reinforcement of wall with 1.5-2" wood

Reinforcements of walls should always comply with national standards.



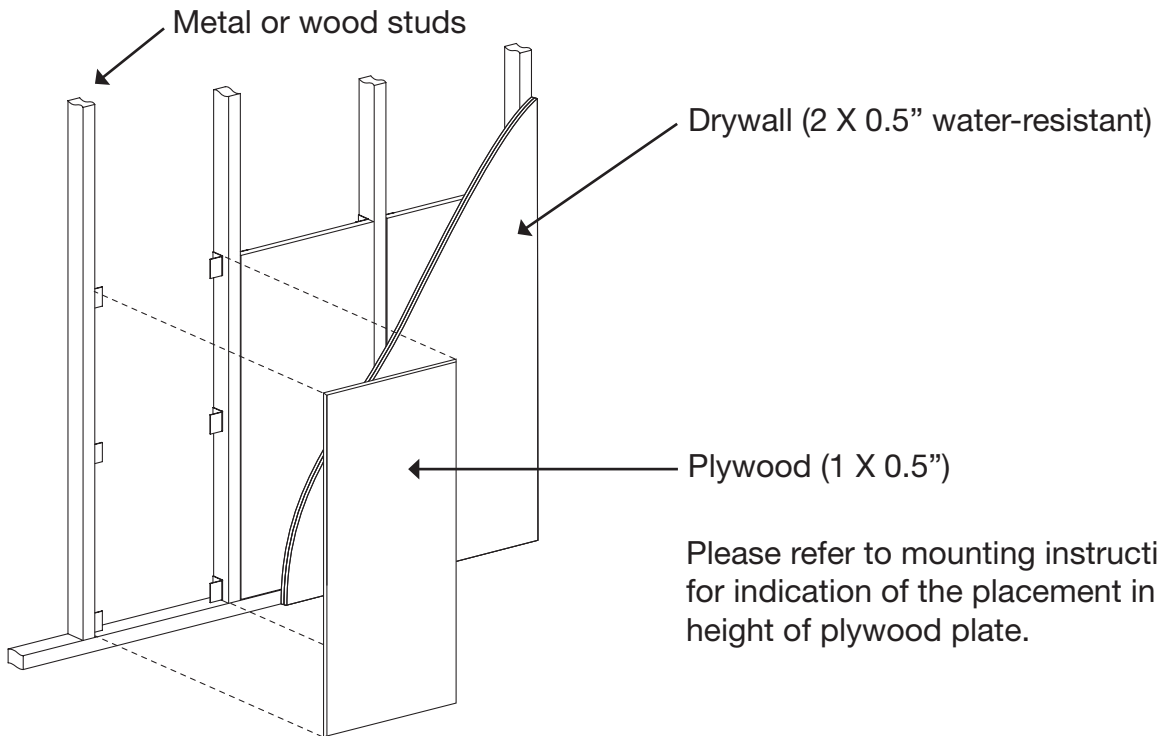
## Wall cross-section



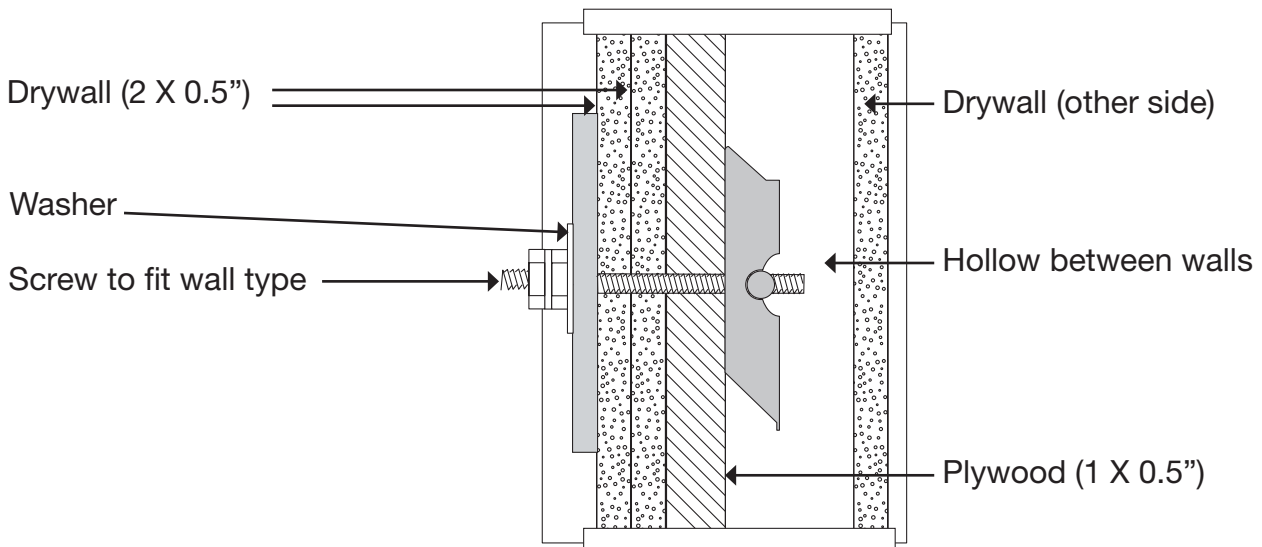


## Reinforcement of wall with plywood

Reinforcements of walls should always comply with national standards.



## Wall cross-section



## Reinforcement of wall with steel

Reinforcements of walls should always comply with national standards.

