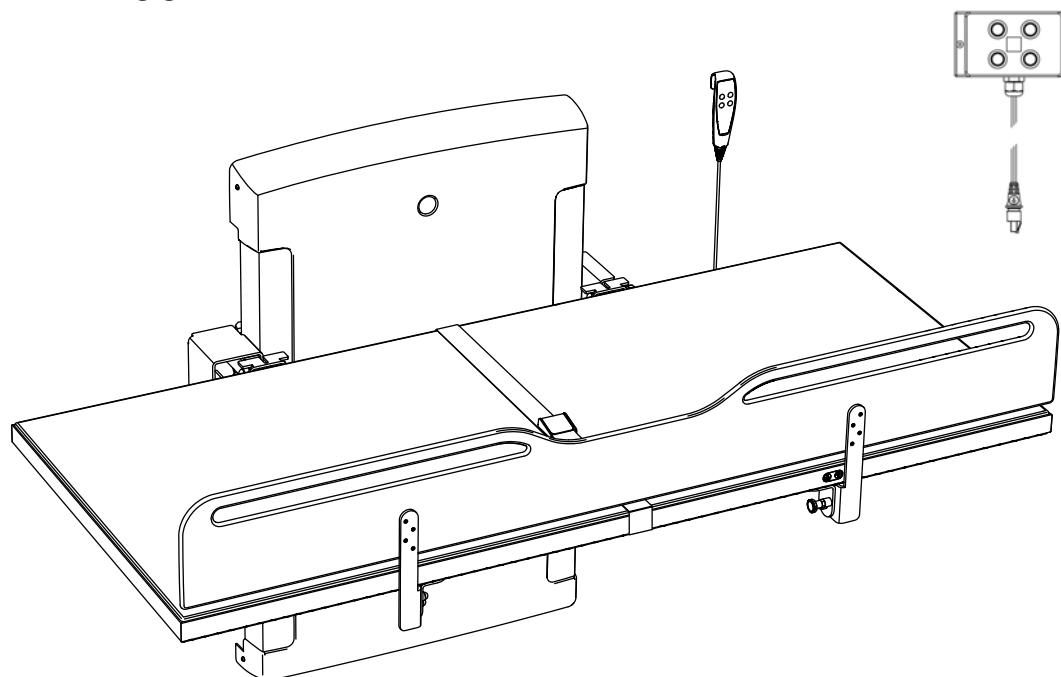


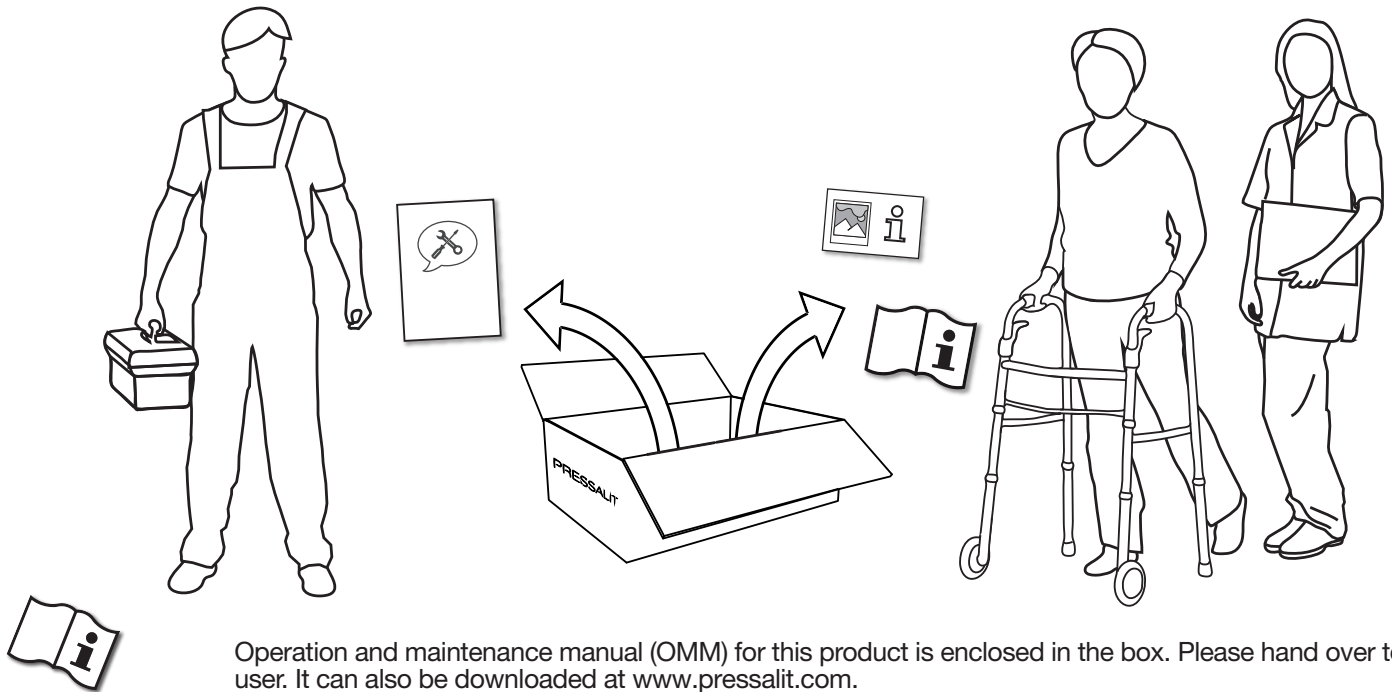
VersaMax Public Restroom Adult
Changing Table
(Electric Fold with Wall Control Panel)
Model 4100



R8595572000 / R8489 - EAN: 5708590356952
Previous version: R8595 / R8489

Subject to change without further notice.





Operation and maintenance manual (OMM) for this product is enclosed in the box. Please hand over to the user. It can also be downloaded at www.pressalit.com.

An operation signage (quick guide) for use by people with reading or cognitive disabilities, is enclosed in the box. It can also be downloaded at www.pressalit.com. User information is not available in braille.

Please note: components are included for various installation scenarios. Please disregard any unnecessary parts.

International protection rating: IPX6

Water projected in powerful jets -- from a nozzle up to 12.5 mm in size -- against the product from any direction shall have no harmful effects.

EN Mounting Instruction

Please read and carefully follow these instructions. Find the product number on the product label and ensure that these assembly instructions match your product.



WARNING: Failure to comply with these instructions may result in accidents involving serious personal injury or the product being damaged.

WARNING: If you suspect that any individual parts may be damaged, contact your Pressalit dealer or service provider. Do not remove, attempt to repair or install parts yourself, unless directed to do so by Pressalit or its agents.

WARNING: No modification of this equipment is allowed without express authorization from Pressalit.

WARNING: These instructions must be followed, and the product must be installed professionally by a qualified person; e.g. a licensed plumber, in order to avoid personal injury or property damage while using the product.

WARNING: Pressalit cannot be held liable for injury to persons or damage to property caused by faulty mounting.

Installation location

This product is designed for indoor use in a wet environment, such as a bathroom or washroom. It may only be used in an environment corresponding to the system's IP rating. Ensure that the installation location environment also complies with the following operating parameters of the product:

| Environmental factor | Operating range |
|----------------------|---------------------------------------|
| Temperature | 5°C to 40°C |
| Relative humidity | 20% to 90% @ 30°C (condensation free) |
| Atmospheric pressure | 700 to 1060 hPa |



WARNING: Medical electrical equipment needs special precautions regarding electromagnetic compatibility (EMC) and needs to be installed and put into service in accordance with the EMC information (provided in your product's operating instructions). It is unlikely that the user will encounter problems with the product because of inadequate electromagnetic compatibility.

However, electromagnetic immunity is always relative and standards anticipate environments of usage. Portable and mobile RF communications equipment can affect medical electrical equipment. When the product is connected to the local mains power supply, we recommend the use of electromagnetic shielding and similar preventative measures to avoid conducted emissions.

When choosing an installation location, ensure that there will be adequate space for movement of—and access to—the product.

Assembly and installation

Mount the product against a wall in accordance with the illustrations in this assembly instruction. Connect the product components—hand control unit, motor, control box and power cable—to each other as shown. Ensure that the connectors are pressed in as far as possible into their corresponding sockets.

Connection to the mains supply

There is a range of potential configurations to connect the product to the mains power supply. See pages with ☺. The product is supplied with a plug attached, but this may need to be replaced with an IP-rated plug and socket combination appropriate to the location of the socket relative to moisture, or alternatively the product may be hardwired to a mains supply.

WARNING: Ensure that the circuit on the mains supply side is isolated from power while connecting the product to the mains supply.



WARNING: The product must be connected to the mains supply and a protective earth connection by a qualified electrician in accordance with IEC 60601-1 and IEC 60364-7, as well as any locally applicable standards.

WARNING: Ensure that the voltage of the local mains supply to be connected is compliant with that stated on the label on the product.



WARNING: To ensure protection by electrical separation, the product must be supplied by a mains supply circuit that does not supply power to any other equipment, unless it incorporates a residual current protective device (RCD) with a rated residual operating current not exceeding 30 mA. The circuit must be grounded using a protective earth connection and able to be isolated from mains supply by means of a switch installed in a wall or cabinet.

WARNING: The integrity of the external protective earthing system must be verified.

WARNING: The installer must verify that the protective earth terminal of the control box is connected to the external protective earthing system.

WARNING: Ensure that location of the mains isolation switch or coupling is easy to access and use.

WARNING: External cables need to be fixed in such a way that users cannot stumble and injure themselves.

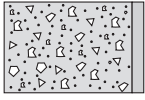
Troubleshooting

If the product does not function, check that that all cables are securely connected, and that the electrical circuit is powered. A more detailed troubleshooting guide can be found in the product's operation and maintenance manual. Contact your Pressalit agent, if assistance is needed when installing the product.

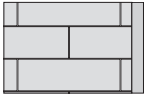
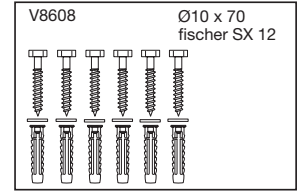
Installation Drawing



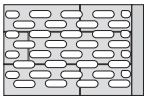
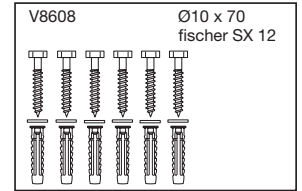
PRESSALIT
www.max-ability.com



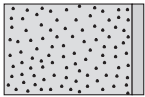
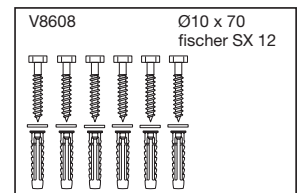
Concrete >B25



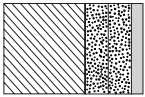
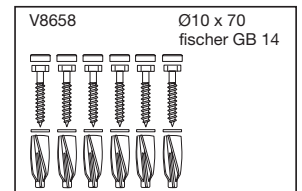
Solid Brick \geq Mz12



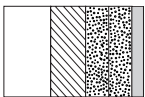
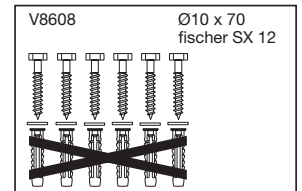
Solid Sand Lime Brick \geq Hlz12



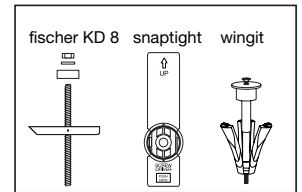
Aerated Concrete P4



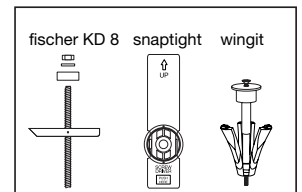
Drywall water-resistant, re-enforced with wood
(2 x 12,5 mm)



Drywall water-resistant, re-enforced with plywood
(2 x 12,5 mm)
22 mm



Drywall water-resistant, re-enforced with steel plates
(2 x 12,5 mm)
2 mm

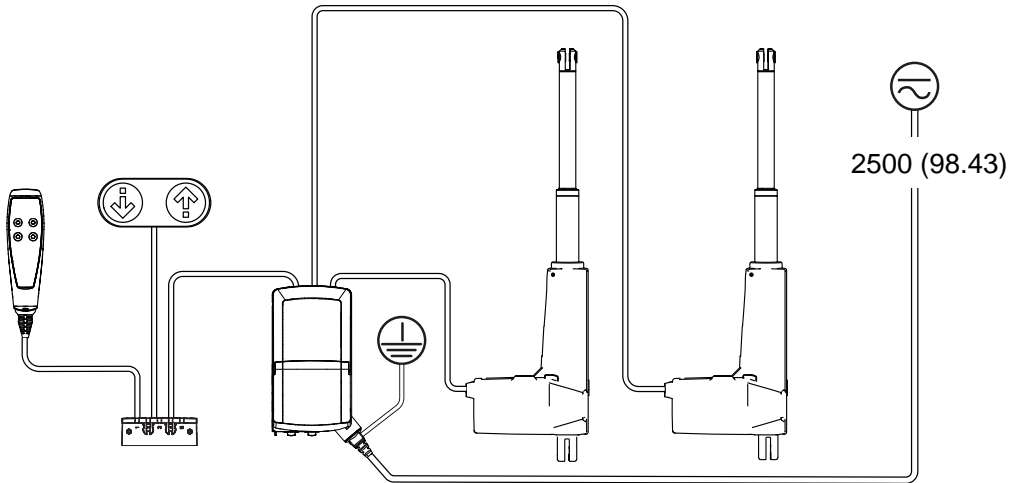


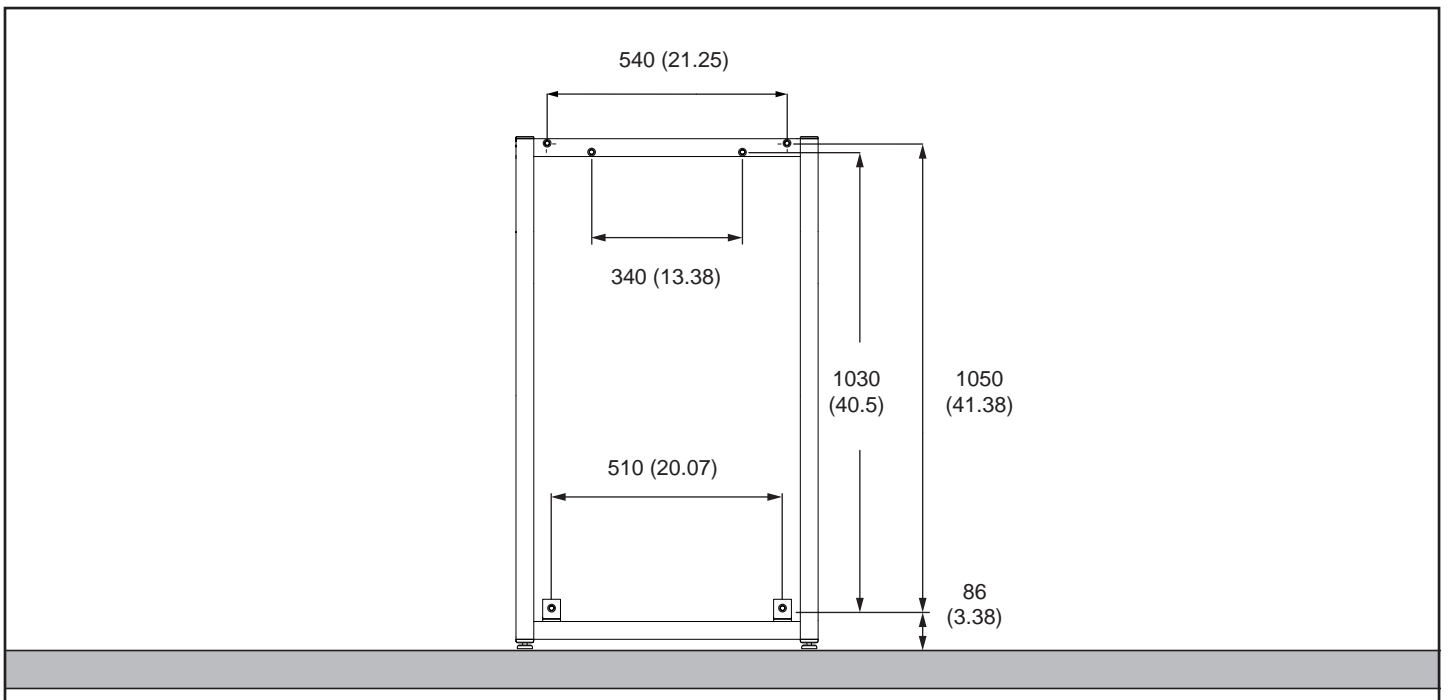
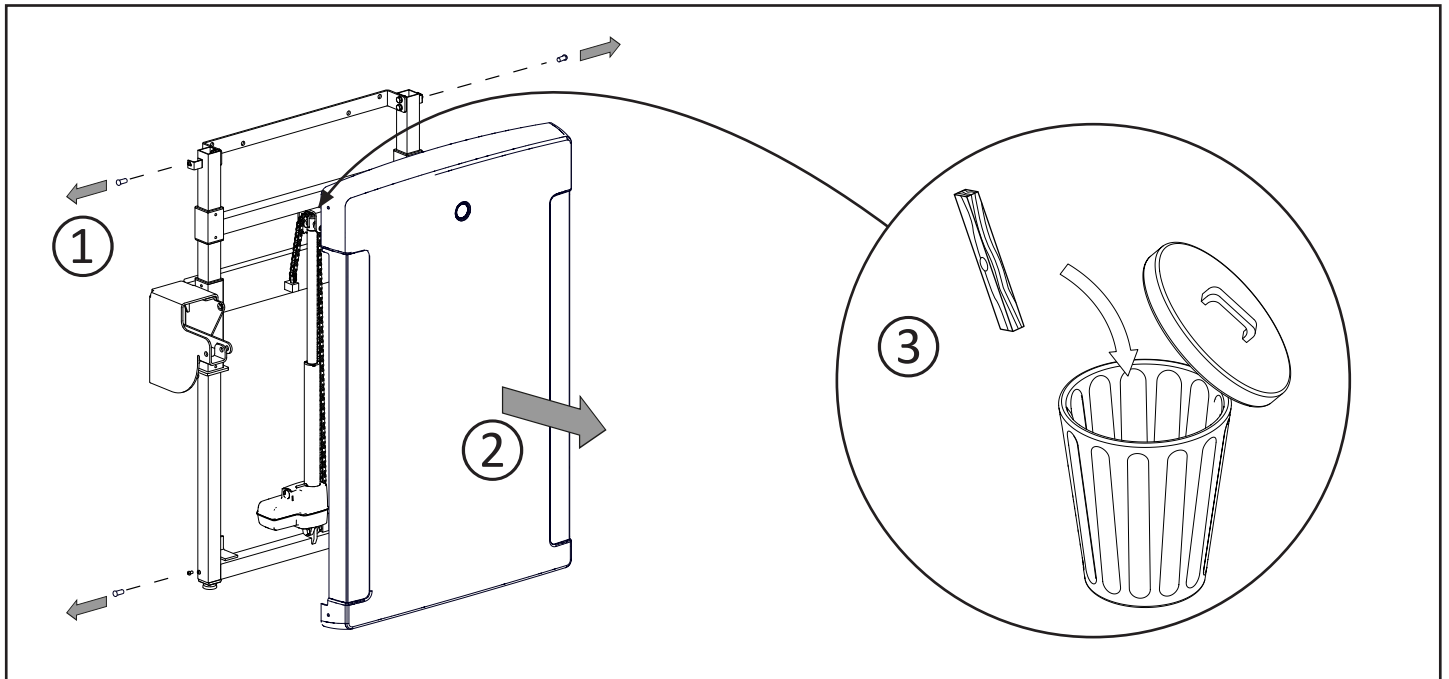
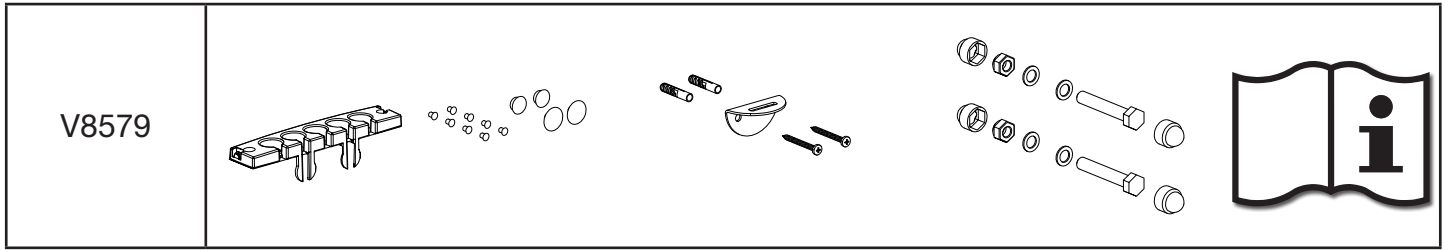
Drywall water-resistant
(2 x 12,5 mm)



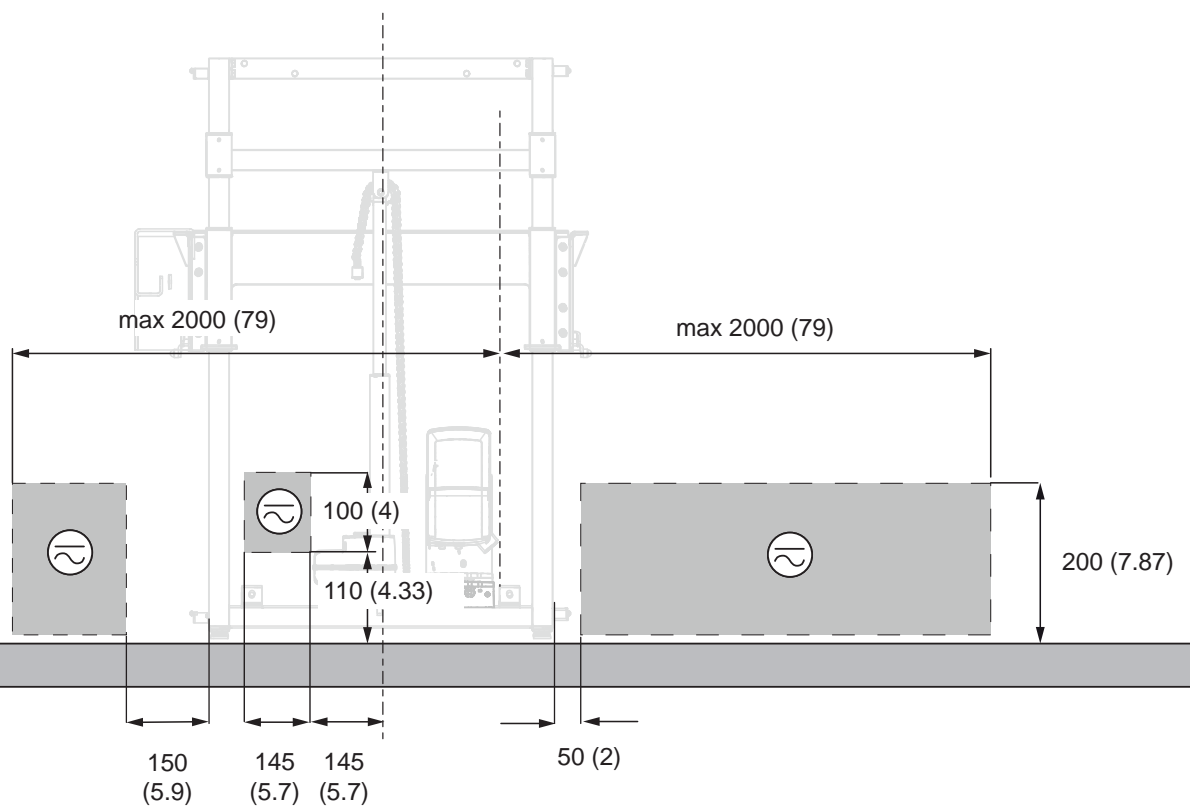
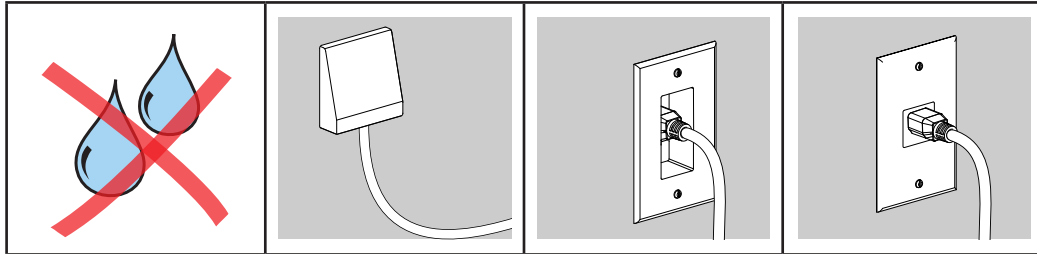
Concrete anchors included at no additional charge.

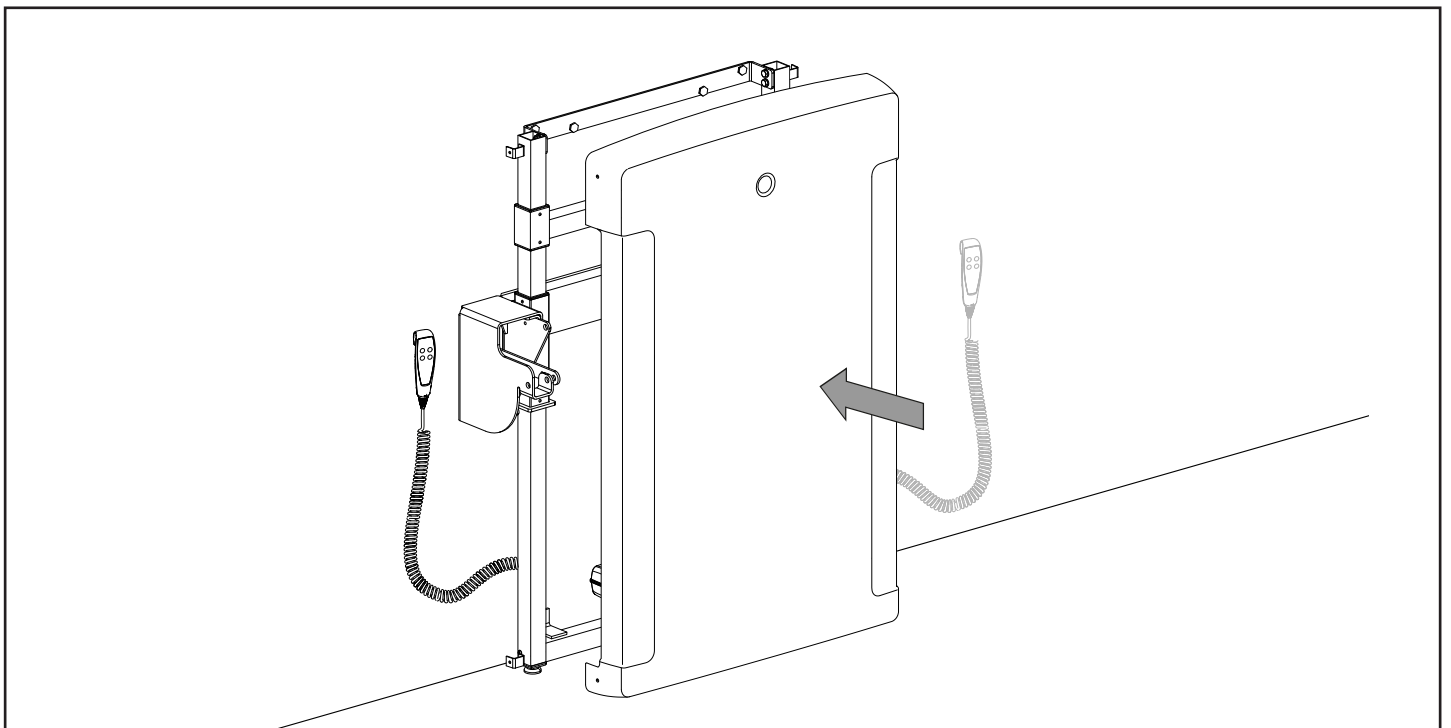
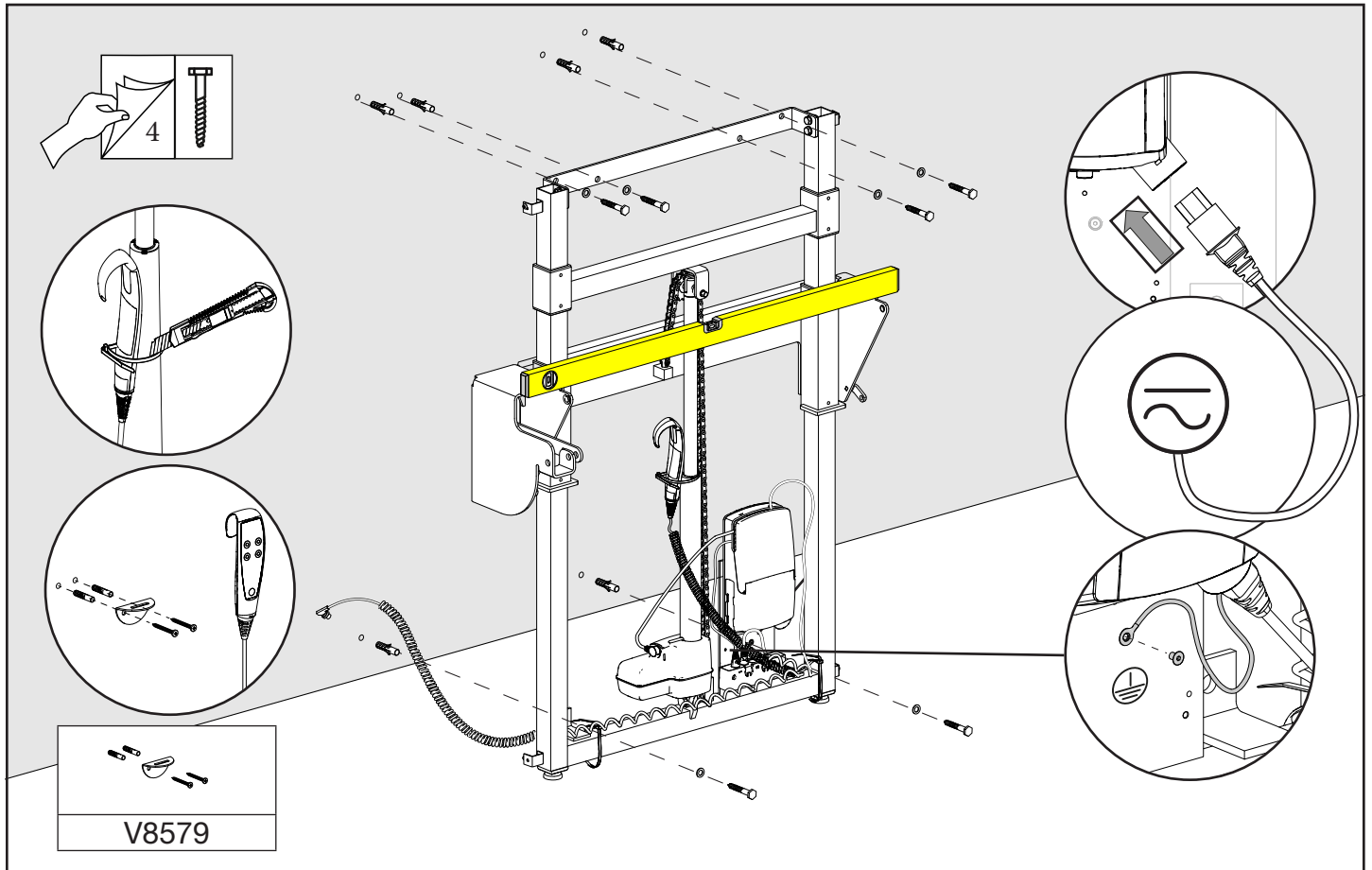
R8595572

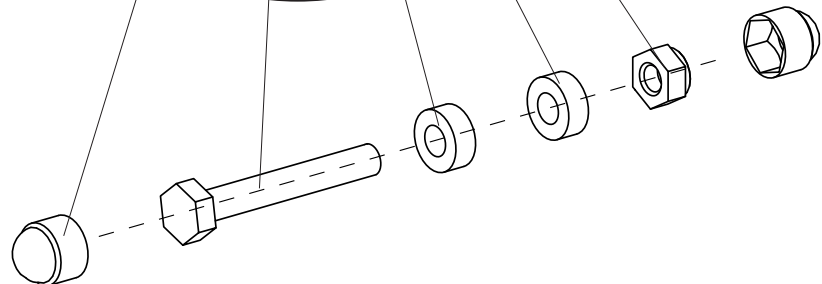
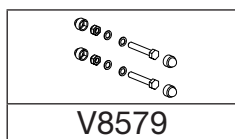
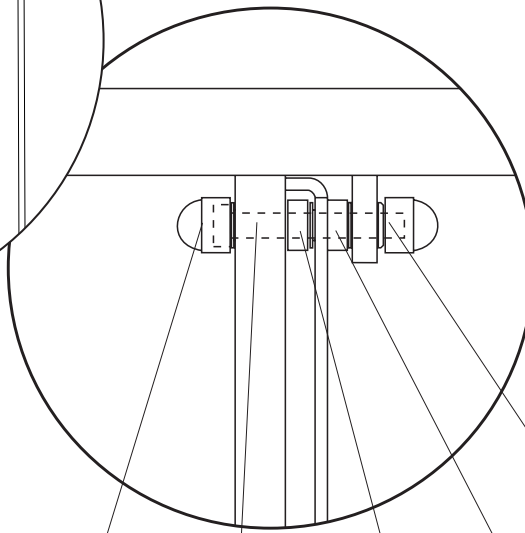
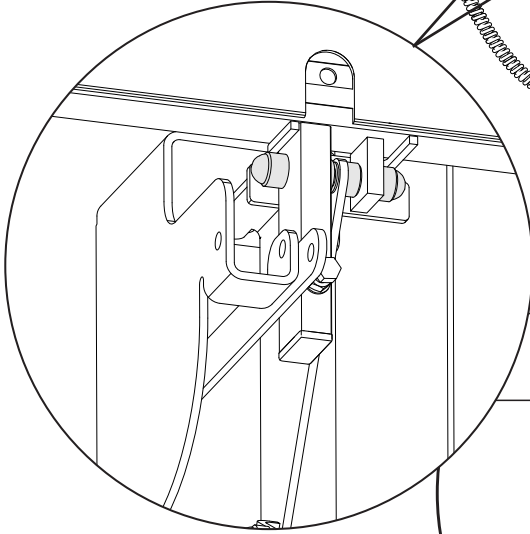
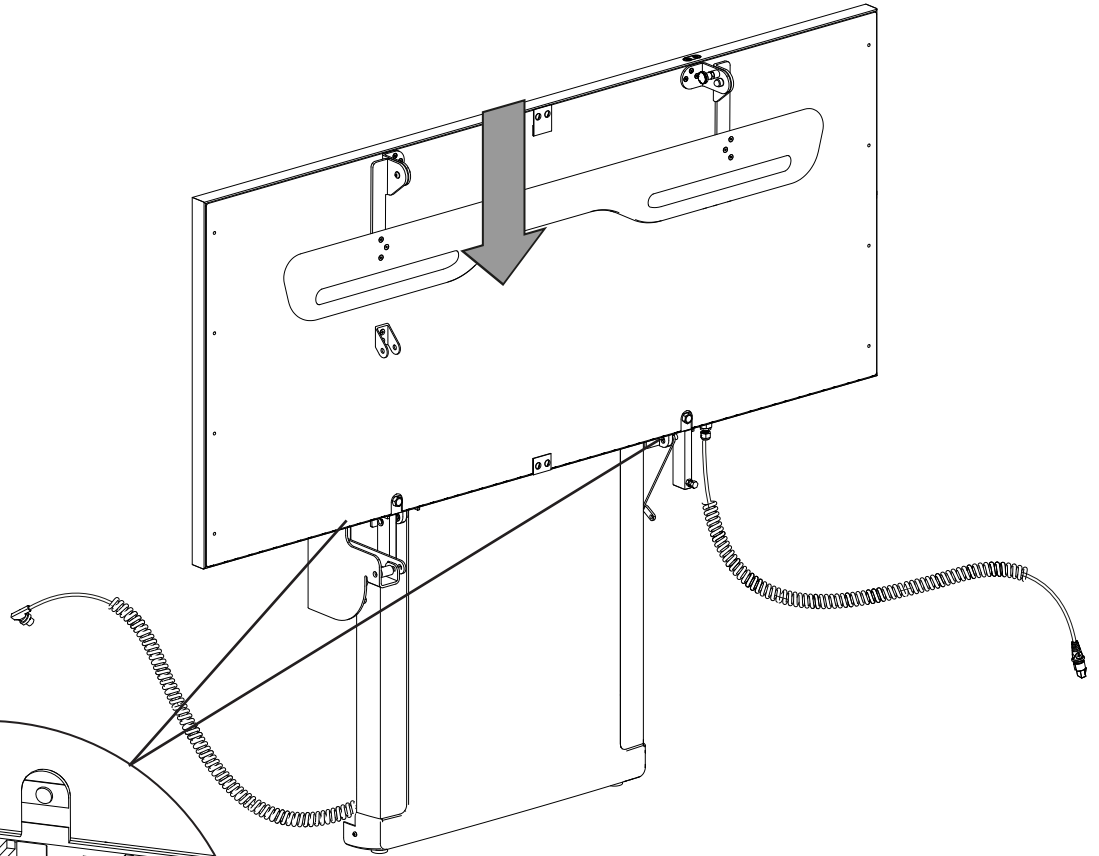


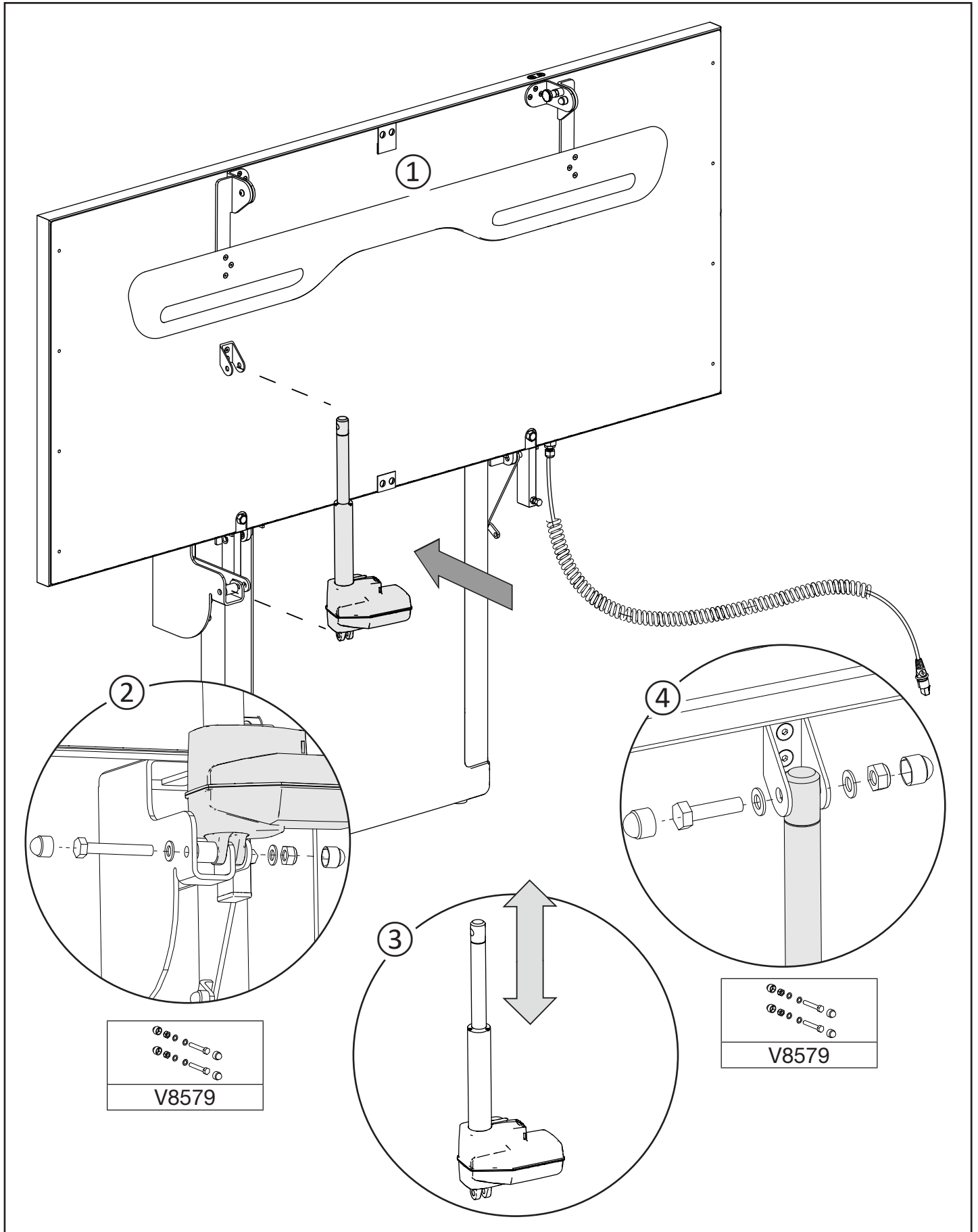


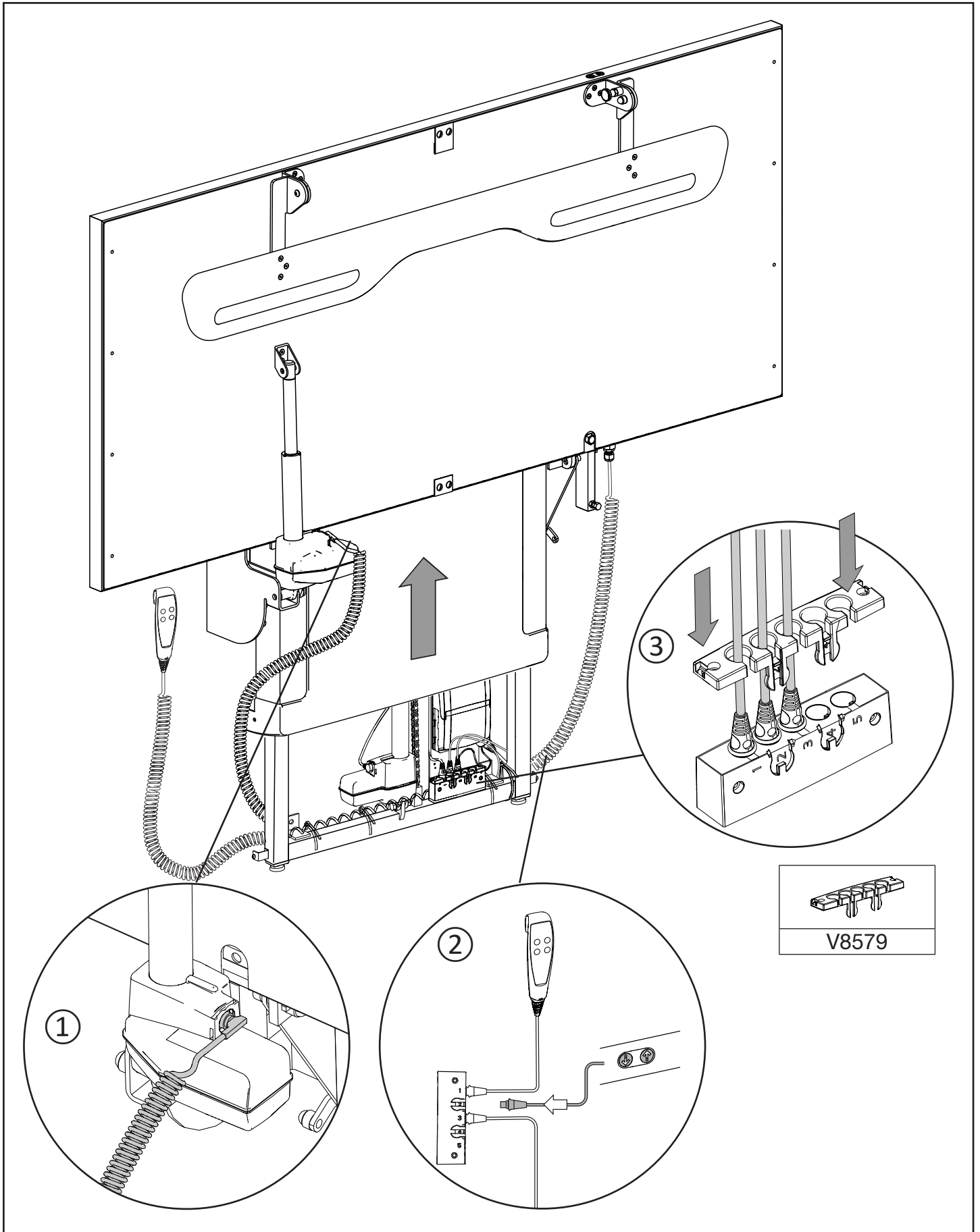
12

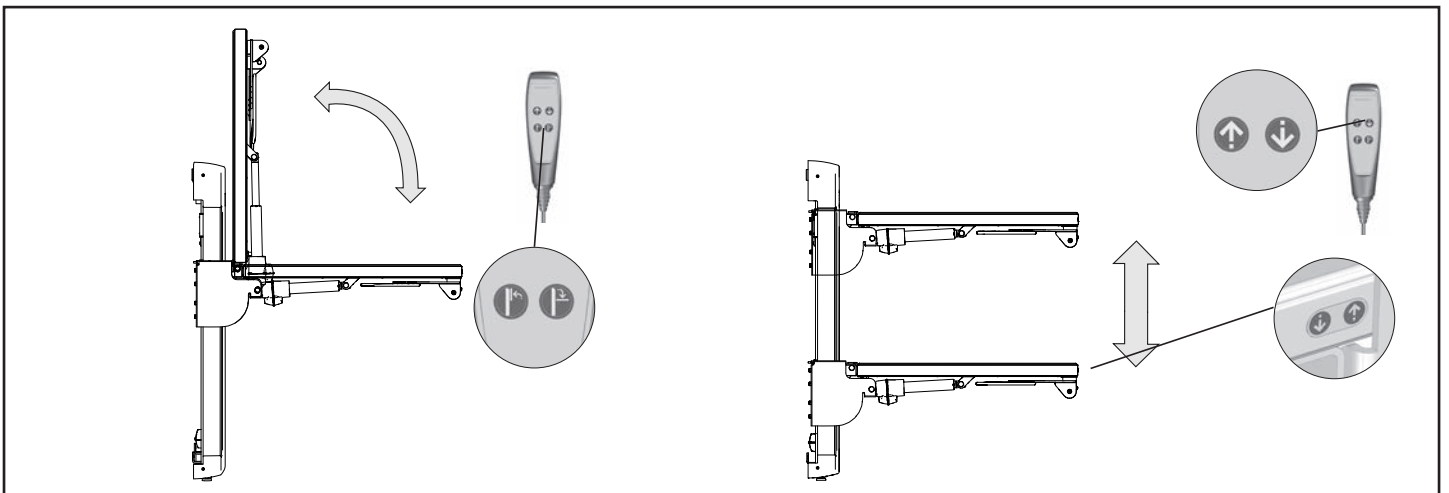
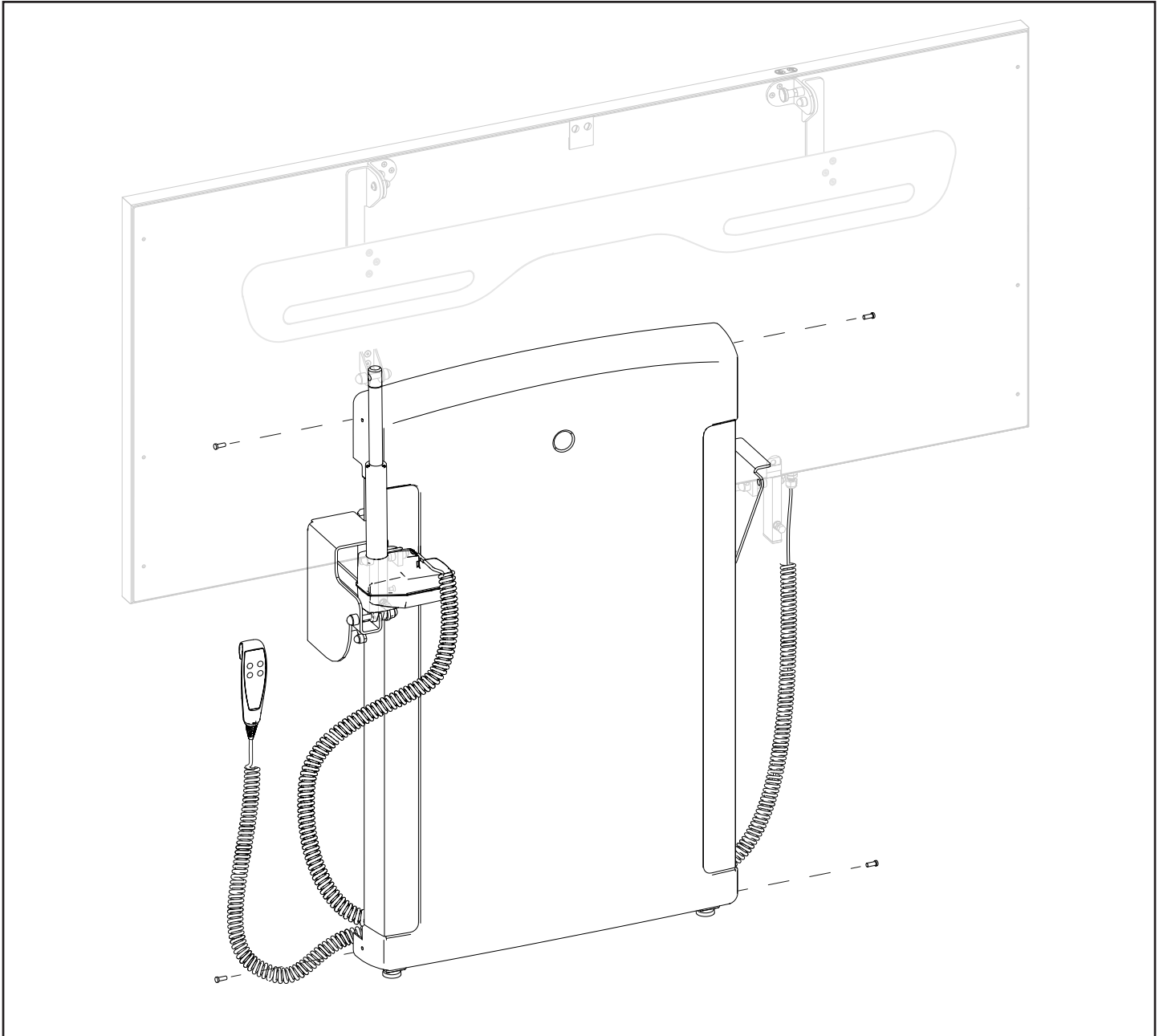


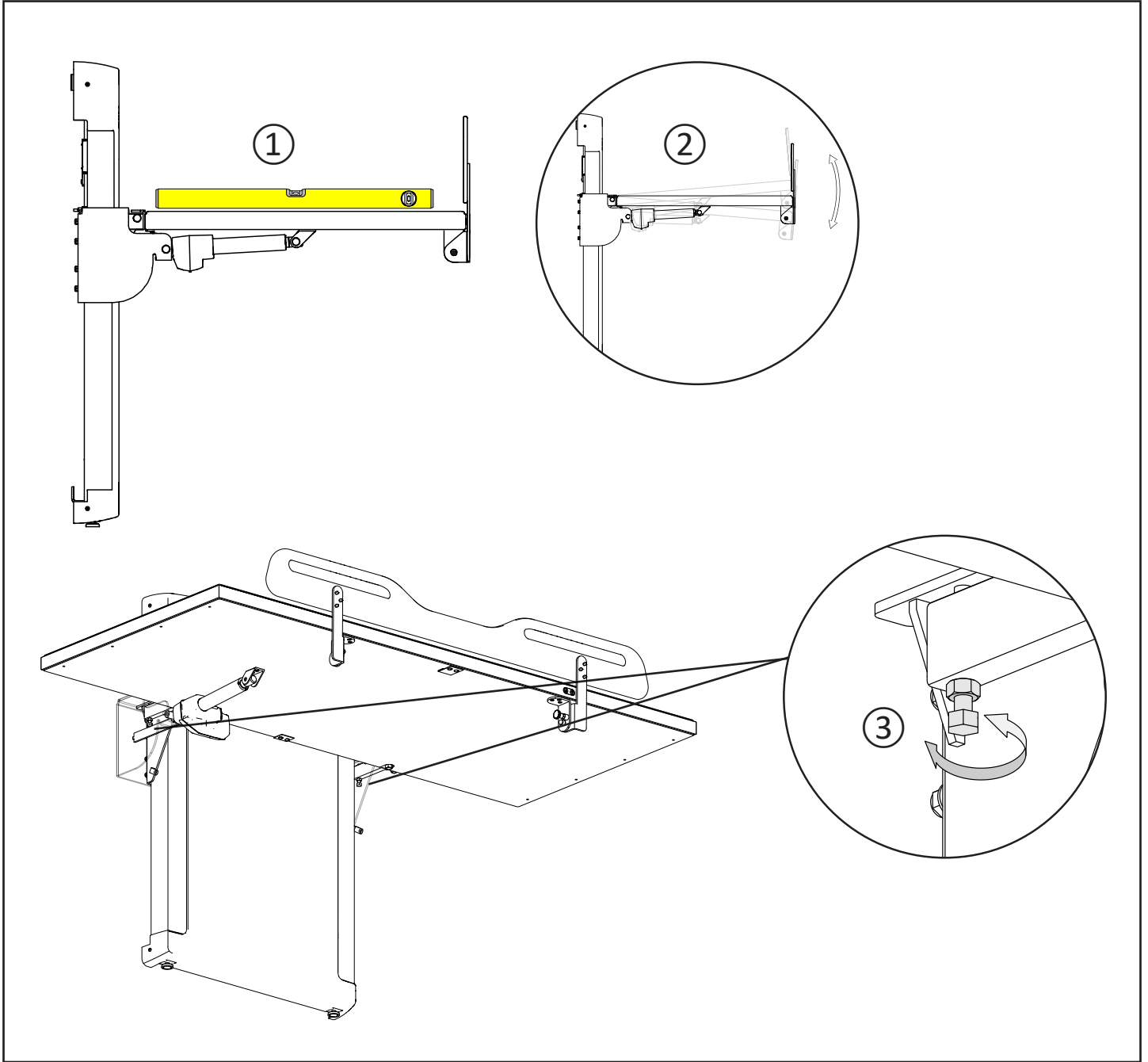




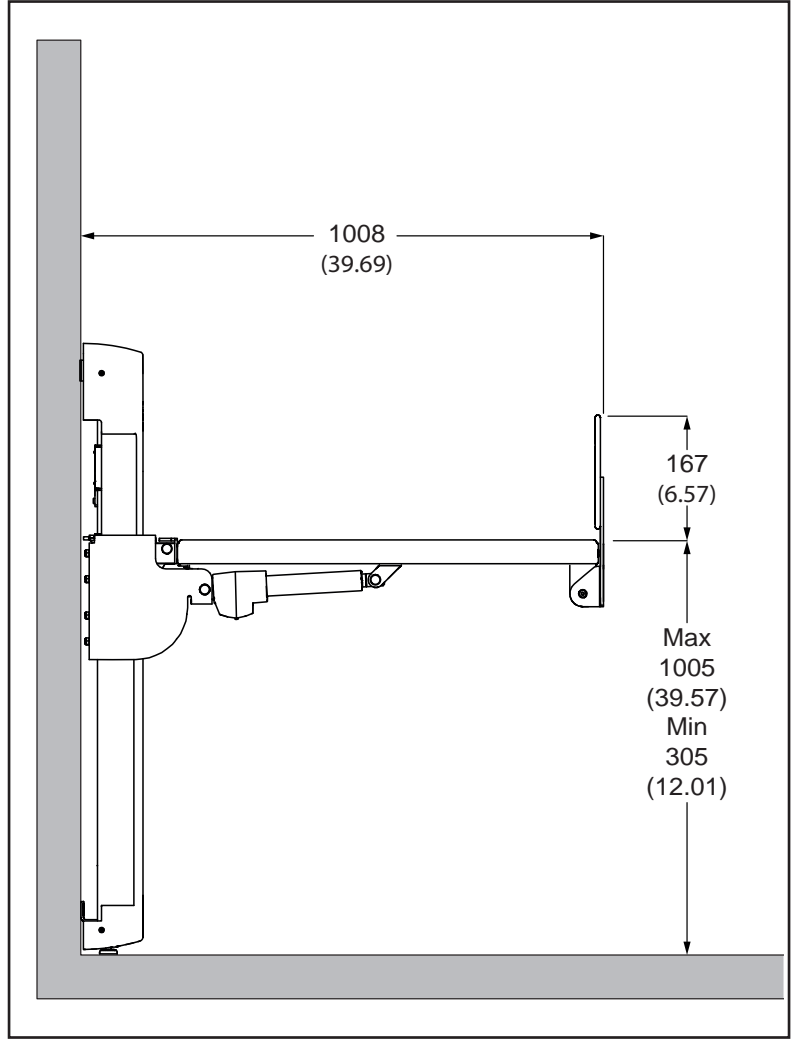
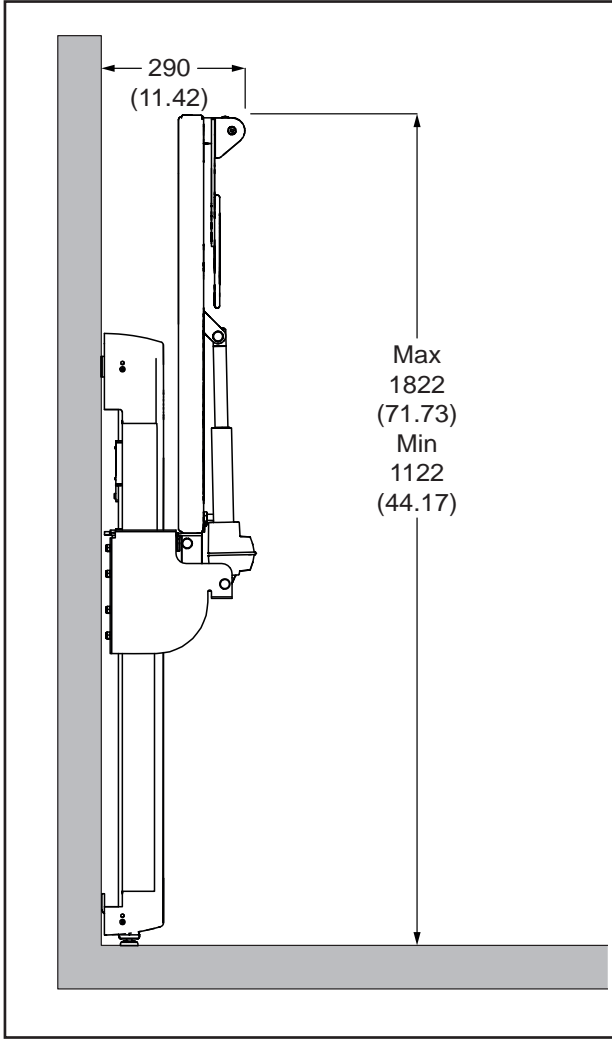




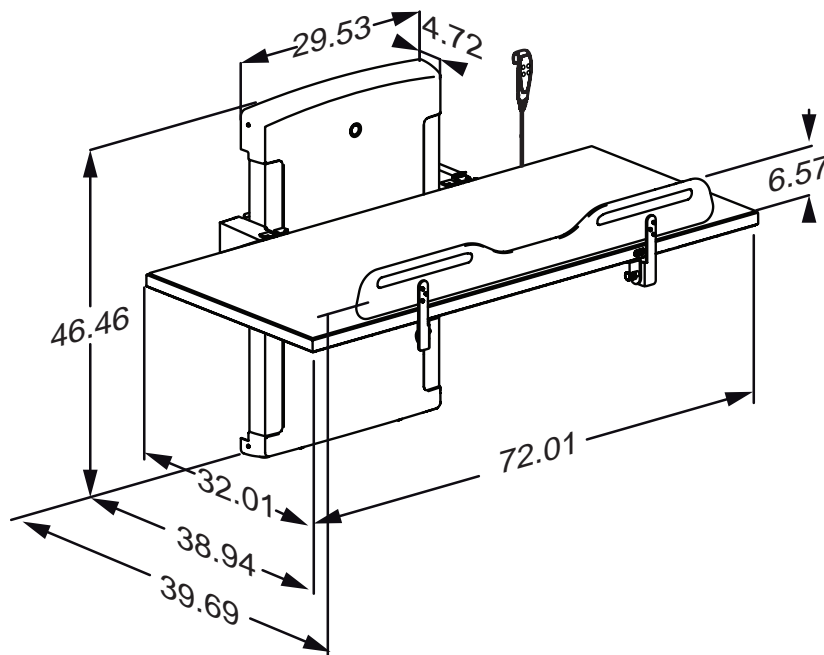




| | | |
|--|--------------------------------|---------------------------------|
| | | |
| | <p>Product weight: 187 lbs</p> | <p>Weight capacity: 440 lbs</p> |



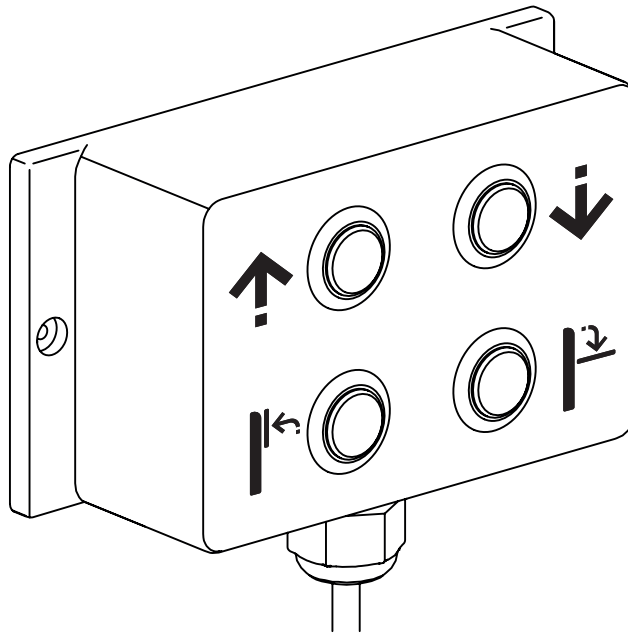
R8595572000 / R8489 - EAN: 5708590356952
Previous version: R8595 / R8489



Wall Mounted Control Panel

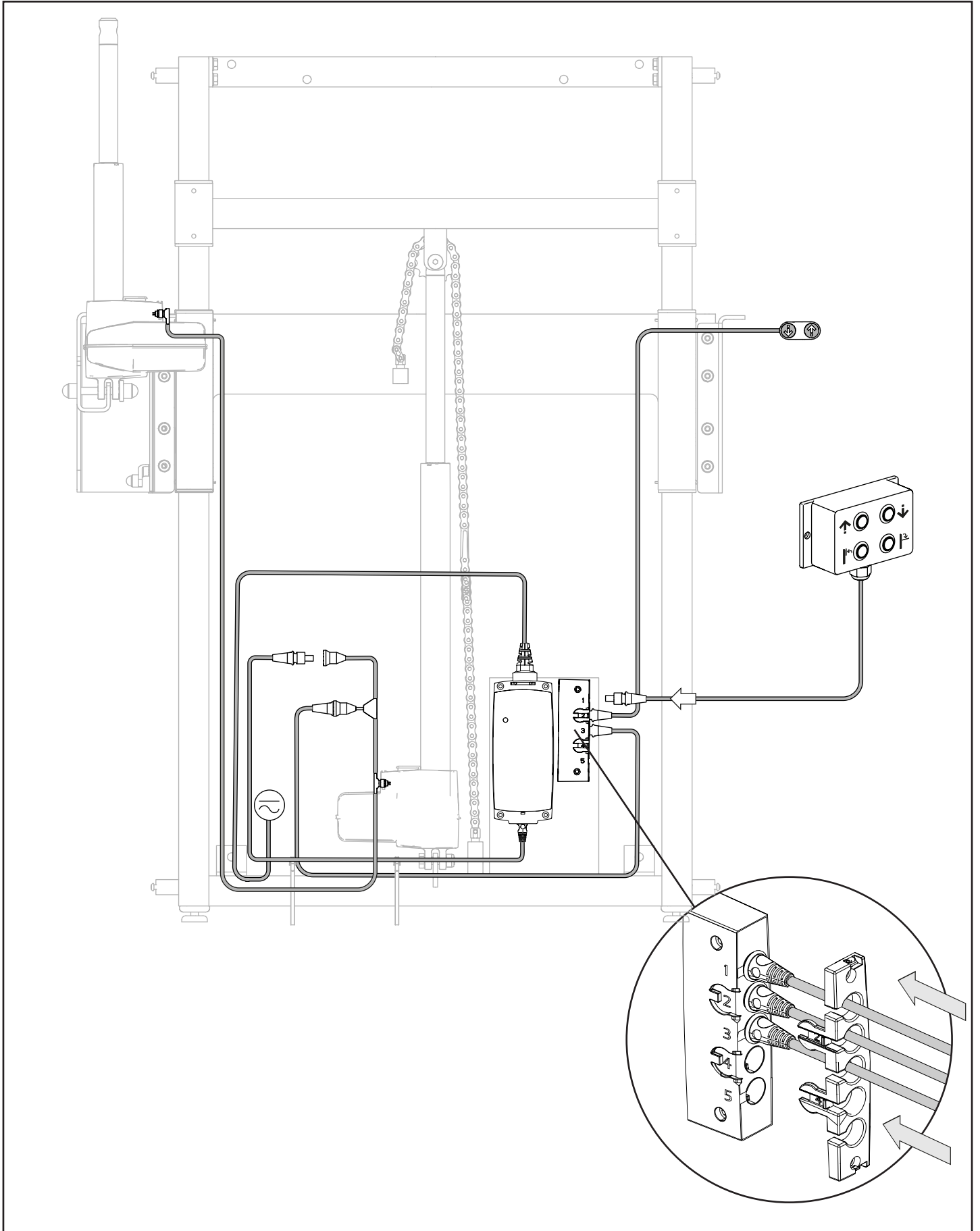


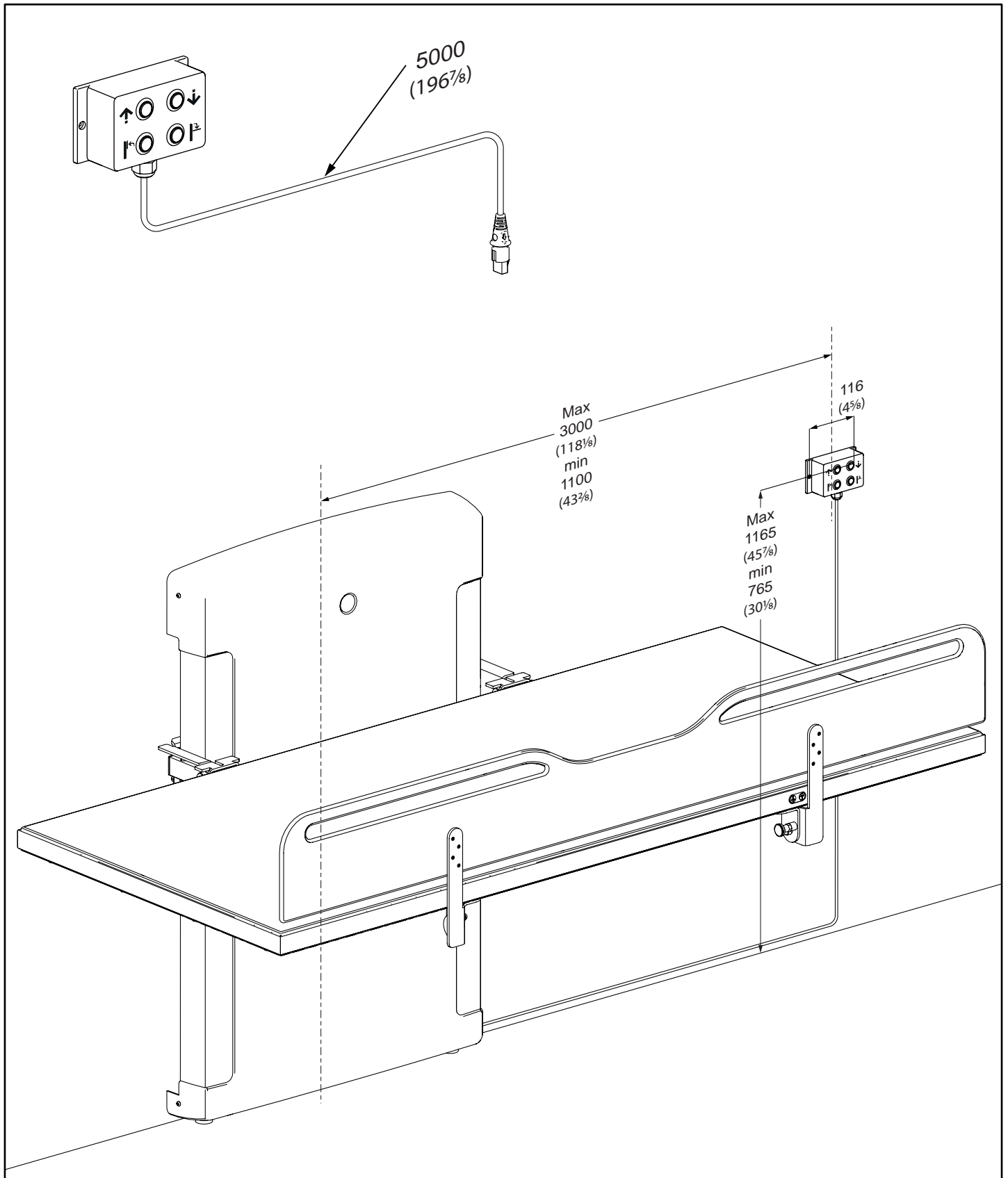
R8489 - EAN: 5708590360577

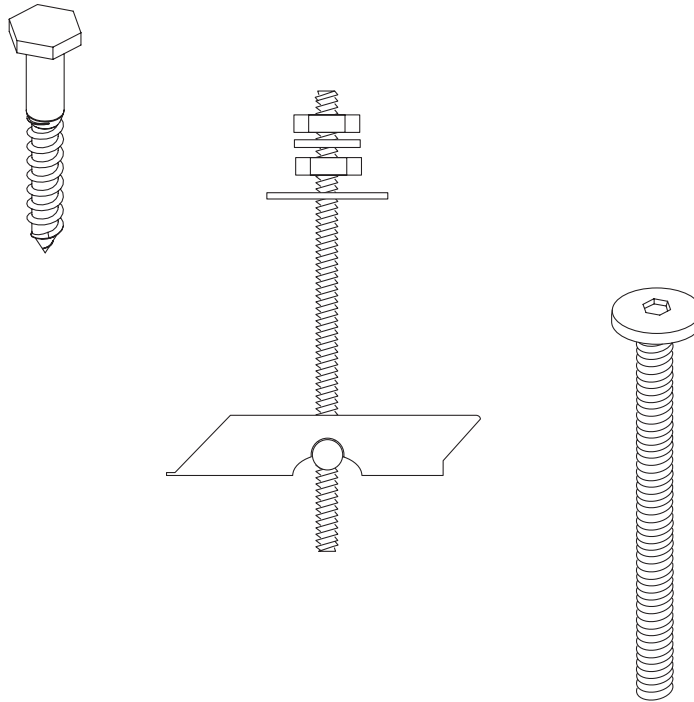


Subject to change without further notice.









(US) Load bearing installation recommendations

- Pressalit can only be held responsible for installations carried out by Pressalit's own installers.
- Pressalit can not be held responsible for reinforcements made in a faulty manner.
- The below recommendations are based on experience and internal test results.
- The below recommendations are to be considered as guidelines only.
- Subject to alteration without further notice.

This advisory document shows the maximum load capacity for individual bolts and other types of anchors that can be used for fixing Pressalit's products to the wall.

The maximum load capacities shown below are per bolt/anchor and must be considered in relation to the information provided for the product that is being fitted. The information specific to the product will show how great the load is on each fixing point when the product is used at its recommended safe working load.

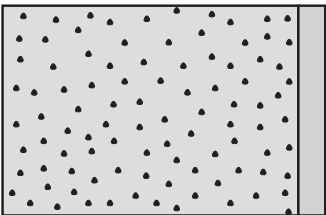

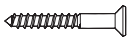

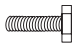




Only if the load on each fixing point of a given product is less than the maximum load capacity of the type of bolt/anchor under consideration, should the bolt/anchor in question be used.

E.g.

One might wish to fit an adult changing table 3000 to an aerated concrete wall:

Maximum load Maximum load: 440 lbs.
When the bench is loaded with 440 lbs, each mounting bolt supports 57 lbs.

Each fixing point is here carrying a load of 57 lbs, and the bolts typically recommended for aerated concrete (Ø10, M8, M10) all have a maximum load capacity that is higher than 57 lbs, so they can all be used.

| Aerated Concrete P4 | Plug | Anchor / Bolt | Maximum load |
|---|--|--|--------------|
|  | fischer GB 14  | Ø10 x 80-105  | 198 lbs |
| | fischer FTP M 8  | M8 x 35  | 143 lbs |
| | fischer FTP M 8  | M8 X 35  | 143 lbs |
| | fischer FTP K 6  | M5 x 50  | 88 lbs |

Please refer to installation drawings and specification pages (go to max-ability.com) for further information about which types of bolts/anchors are recommended on specific wall types.

MAX-Ability provides concrete anchors at no additional charge.

Other fixing kits should be ordered separately.



Choose the appropriate anchor for your wall

| Concrete > B25 | Plug | Anchor | Maximum load |
|--------------------------------|---------------------|------------------|--------------|
| | fischer SX 12 | Ø10 x 70/80 | 375 lbs. |
| | fischer SX 10 | Ø8 x 70/80 | 265 lbs |
| | fischer SX 6 | Ø5 x 50 | 143 lbs |
| Solid brick >= Mz12 | Plug | Anchor | Maximum load |
| | fischer SX 12 | Ø10 x 70/80 | 154 lbs |
| | fischer SX 10 | Ø8 x 70/80 | 132 lbs |
| | fischer SX 6 | Ø5 x 50 | 66 lbs |
| Solid sand lime brick >= Hlz12 | Plug | Anchor | Maximum load |
| | fischer SX 12 | Ø10 x 70/80 | 375 lbs |
| | fischer SX 10 | Ø8 x 70/80 | 265 lbs |
| | fischer SX 6 | Ø5 x 50 | 110 lbs |
| Aerated Concrete P4 | Plug | Anchor / Bolt | Maximum load |
| | fischer GB 14 | Ø10 x 80-105 | 198 lbs |
| | fischer FTP M 8 | M8 x 35 | 143 lbs |
| | fischer FTP M 8 | M8 X 35 | 143 lbs |
| | fischer FTP K 6 | M5 x 50 | 88 lbs |

Wall Types



PRESSALIT®

www.max-ability.com

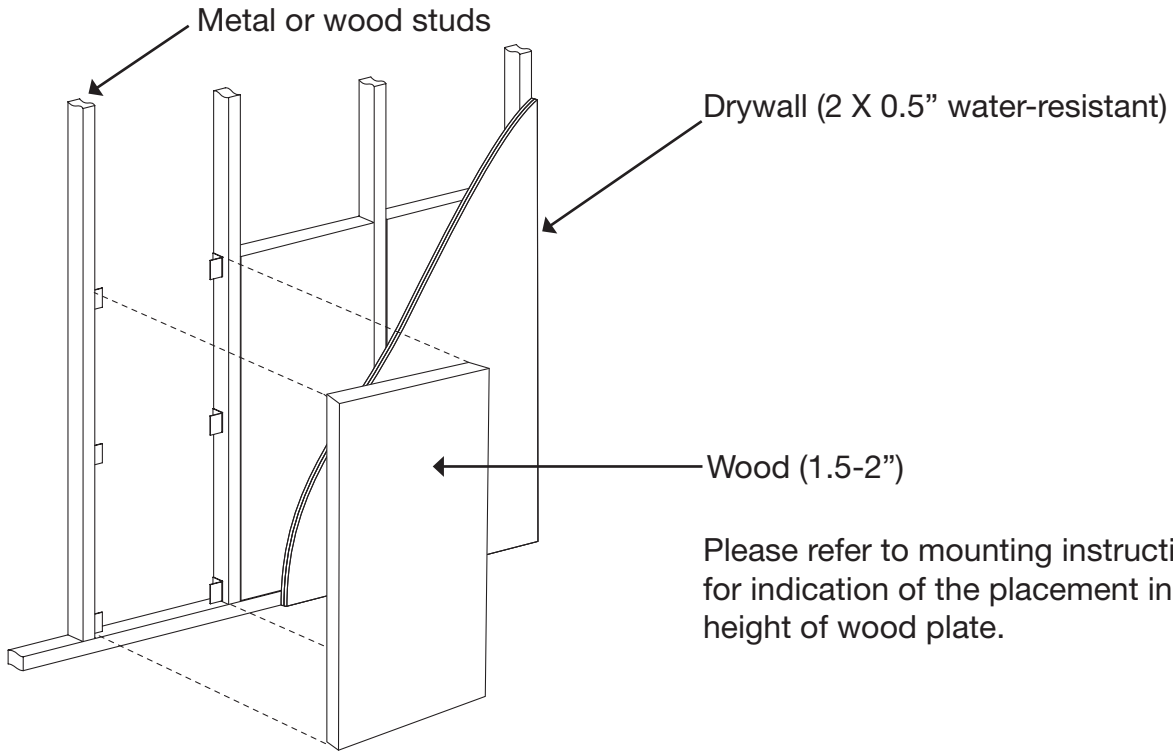
22/25

| Drywall (2 X 0.5") water-resistant, re-enforced with wood | Anchor | Maximum load |
|--|------------------------|--------------|
| | Ø10 x 70/80 | 265 lbs |
| | Ø8 x 70/80 | 220 lbs |
| | Ø5 x 50 | 88 lbs |
| Drywall (2 X 0.5") water-resistant, re-enforced with 1" plywood | Anchor | Maximum load |
| | fischer KD8 toggle | 293 lbs |
| | Wingit | 293 lbs |
| | Snaptight | 293 lbs |
| Drywall (2 X 0.5") water-resistant, re-enforced with steel plates (0.1") | Anchor | Maximum load |
| | fischer KD8 toggle | 207 lbs |
| | Wingit | 207 lbs |
| | Snaptight | 207 lbs |
| Drywall (2 X 0.5") water-resistant | Anchor | Maximum load |
| | fischer KD8 toggle | 187 lbs |
| | Wingit | 187 lbs |
| | Snaptight | 187 lbs |

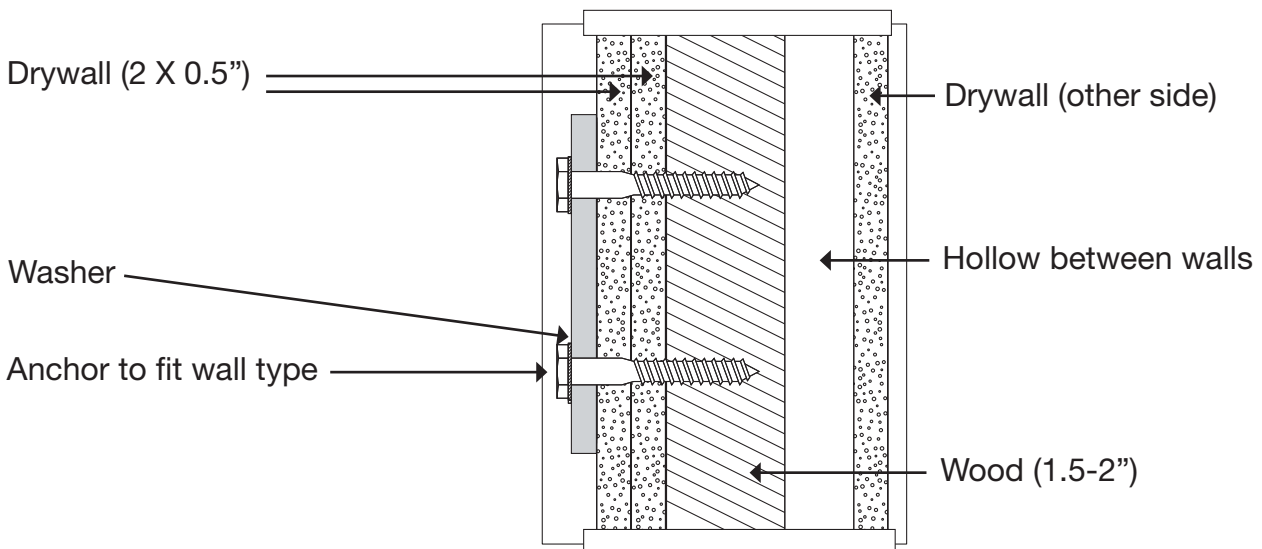


Reinforcement of wall with 1.5-2" wood

Reinforcements of walls should always comply with national standards.

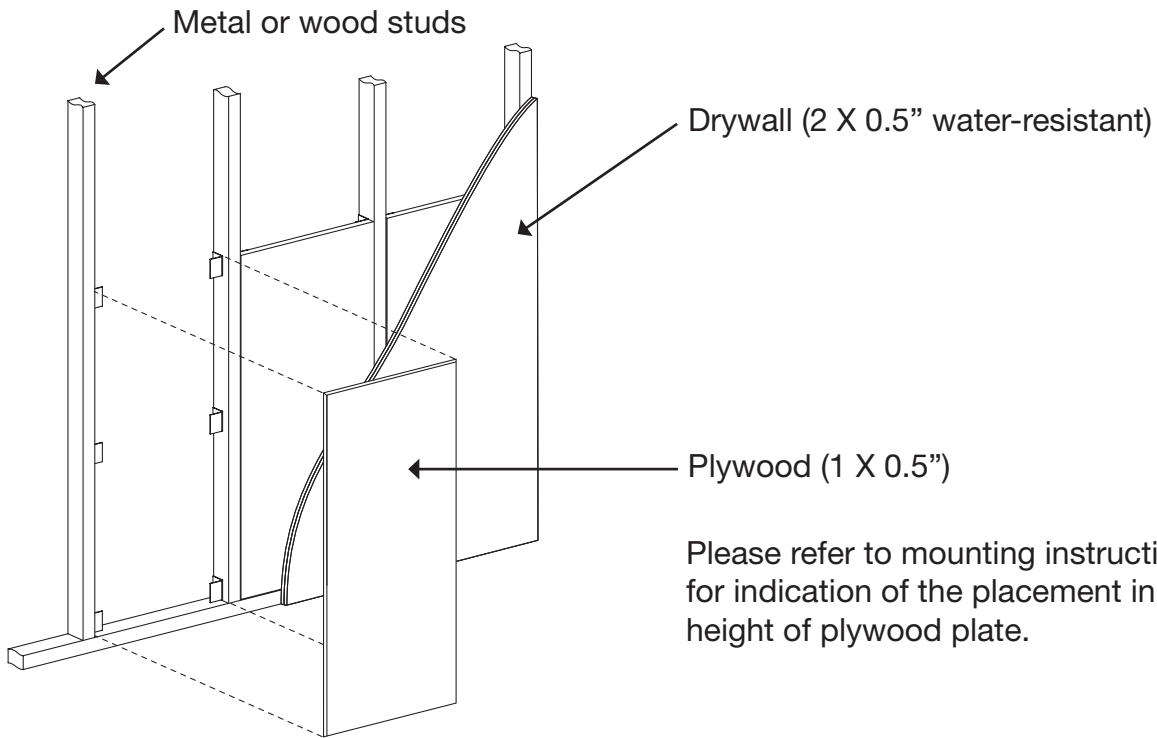


Wall cross-section

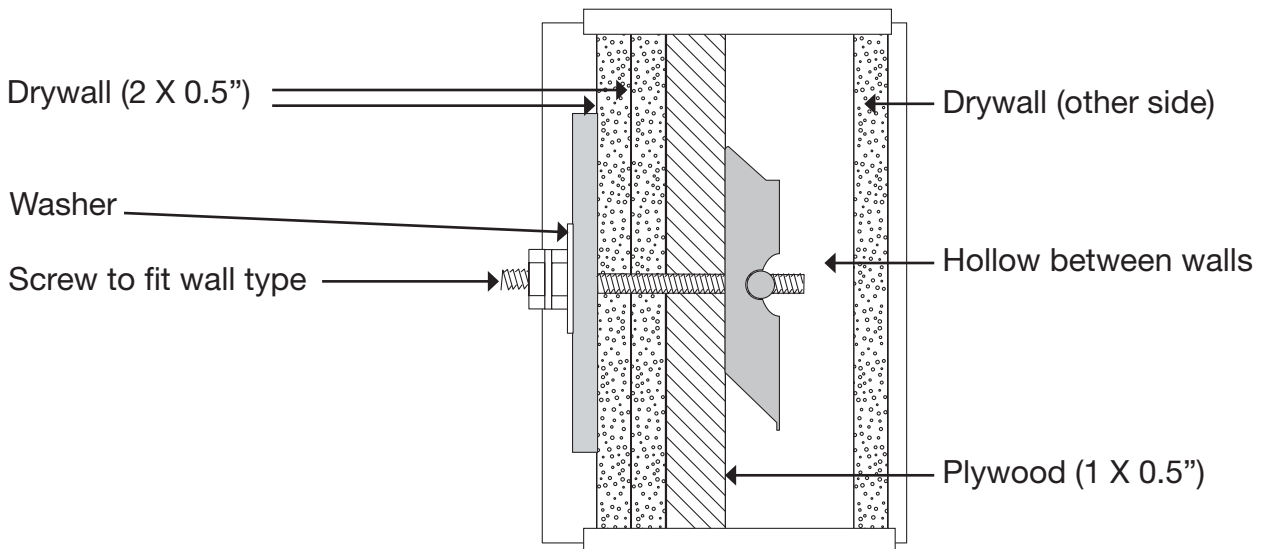


Reinforcement of wall with plywood

Reinforcements of walls should always comply with national standards.



Wall cross-section



Reinforcement of wall with steel

Reinforcements of walls should always comply with national standards.

