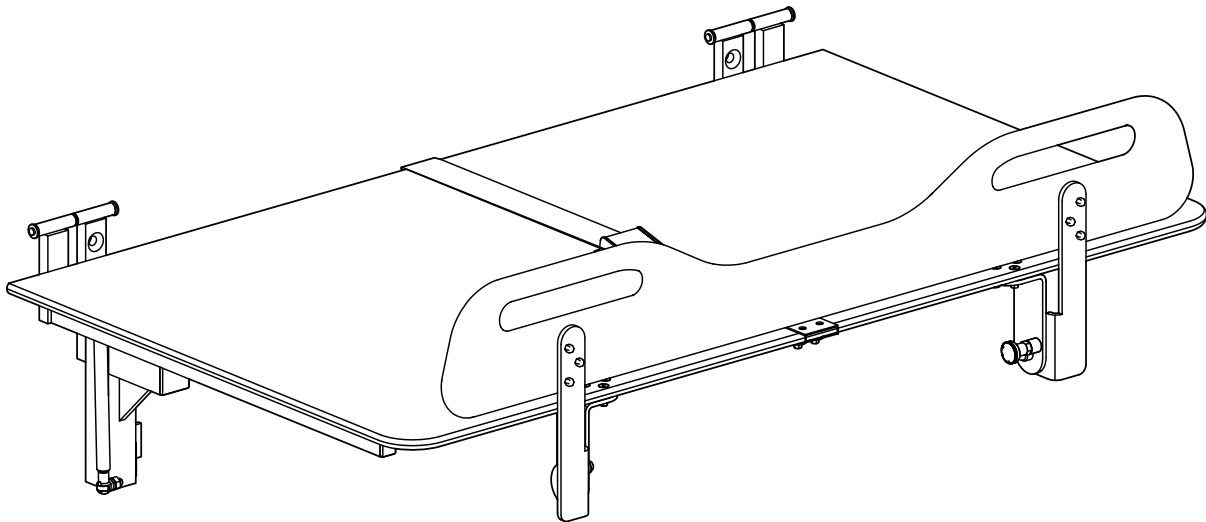


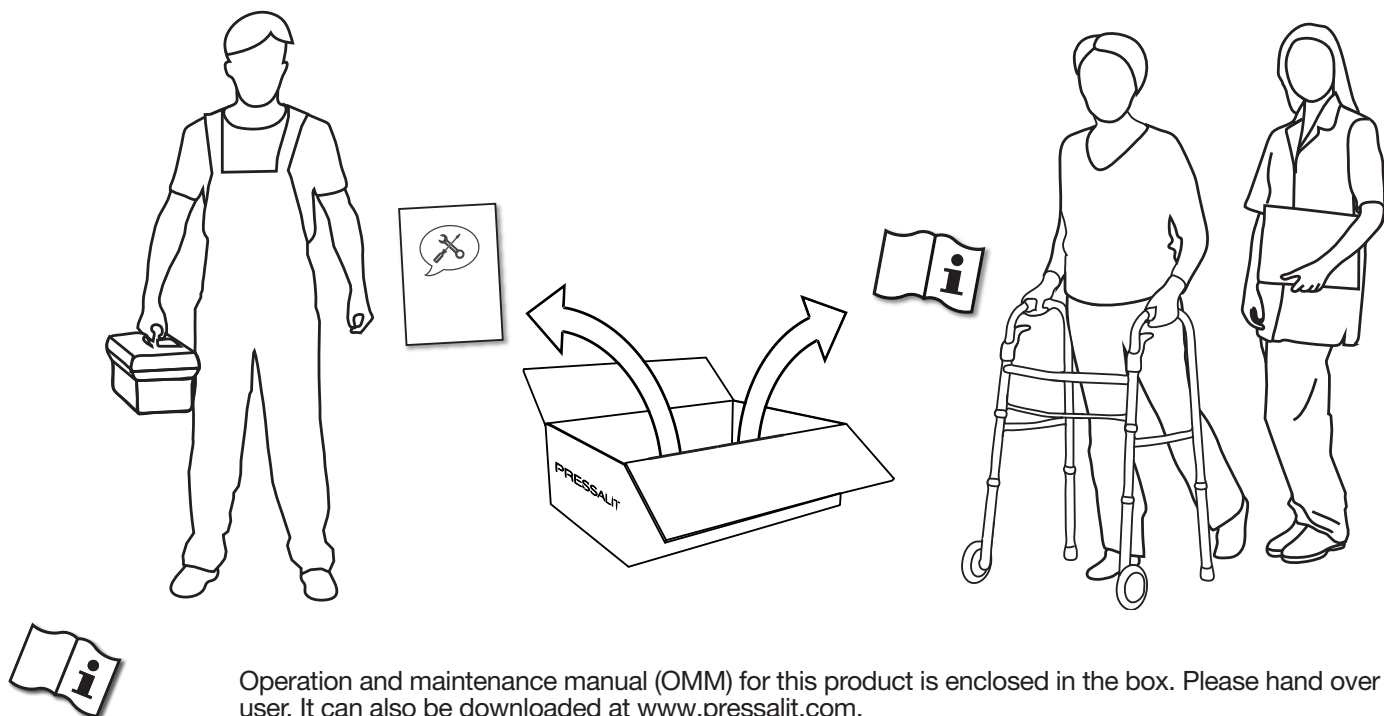
VersaMini Public Restroom Changing Table



SKU: R8455512000
EAN: 5708590376585

Subject to change without further notice





Operation and maintenance manual (OMM) for this product is enclosed in the box. Please hand over to the user. It can also be downloaded at www.pressalit.com.

○ Mounting Instruction

Please read and carefully follow these instructions. Find the product number on the product label and ensure that these assembly instructions match your product.

WARNING: Failure to comply with these instructions may result in accidents involving serious personal injury or the product being damaged.



WARNING: If you suspect that any individual parts may be damaged, contact your Pressalit dealer or service provider. Do not remove, attempt to repair or install parts yourself, unless directed to do so by Pressalit or its agents.

WARNING: No modification of this equipment is allowed without express authorization from Pressalit.

WARNING: These instructions must be followed, and the product must be installed professionally by a qualified person; e.g. a licensed plumber, in order to avoid personal injury or property damage while using the product.

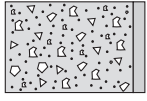
WARNING: Pressalit cannot be held liable for injury to persons or damage to property caused by faulty mounting.

Installation location

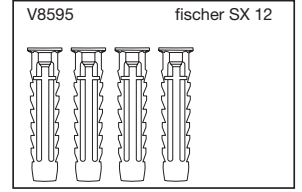
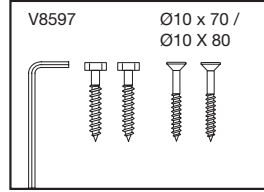
This product is designed for indoor use in a wet environment, such as a bathroom or washroom. When choosing an installation location, ensure that there will be adequate space for access to the product.

Assembly and installation

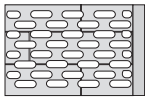
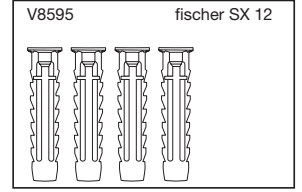
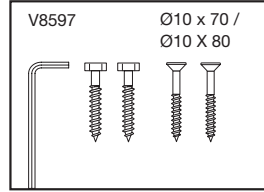
Mount the product against a wall in accordance with the illustrations in this assembly instruction. Contact your Pressalit agent, if assistance is needed when installing the product.



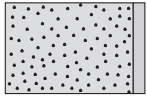
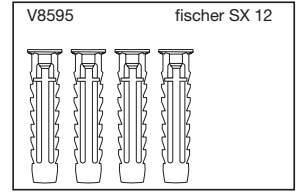
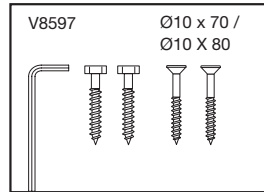
Concrete >B25



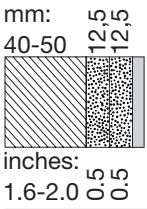
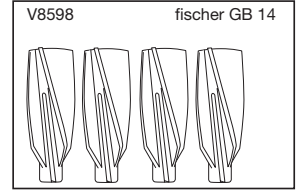
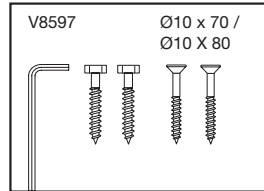
Solid Brick \geq Mz12



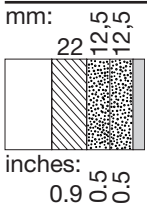
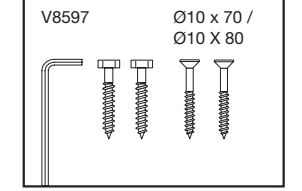
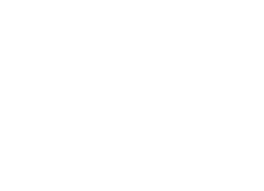
Solid Sand Lime Brick \geq Hlz12



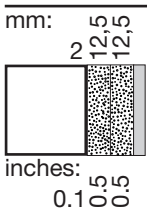
Aerated Concrete P4



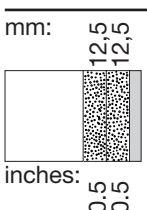
Drywall water-resistant, re-enforced with wood



Drywall water-resistant, re-enforced with plywood



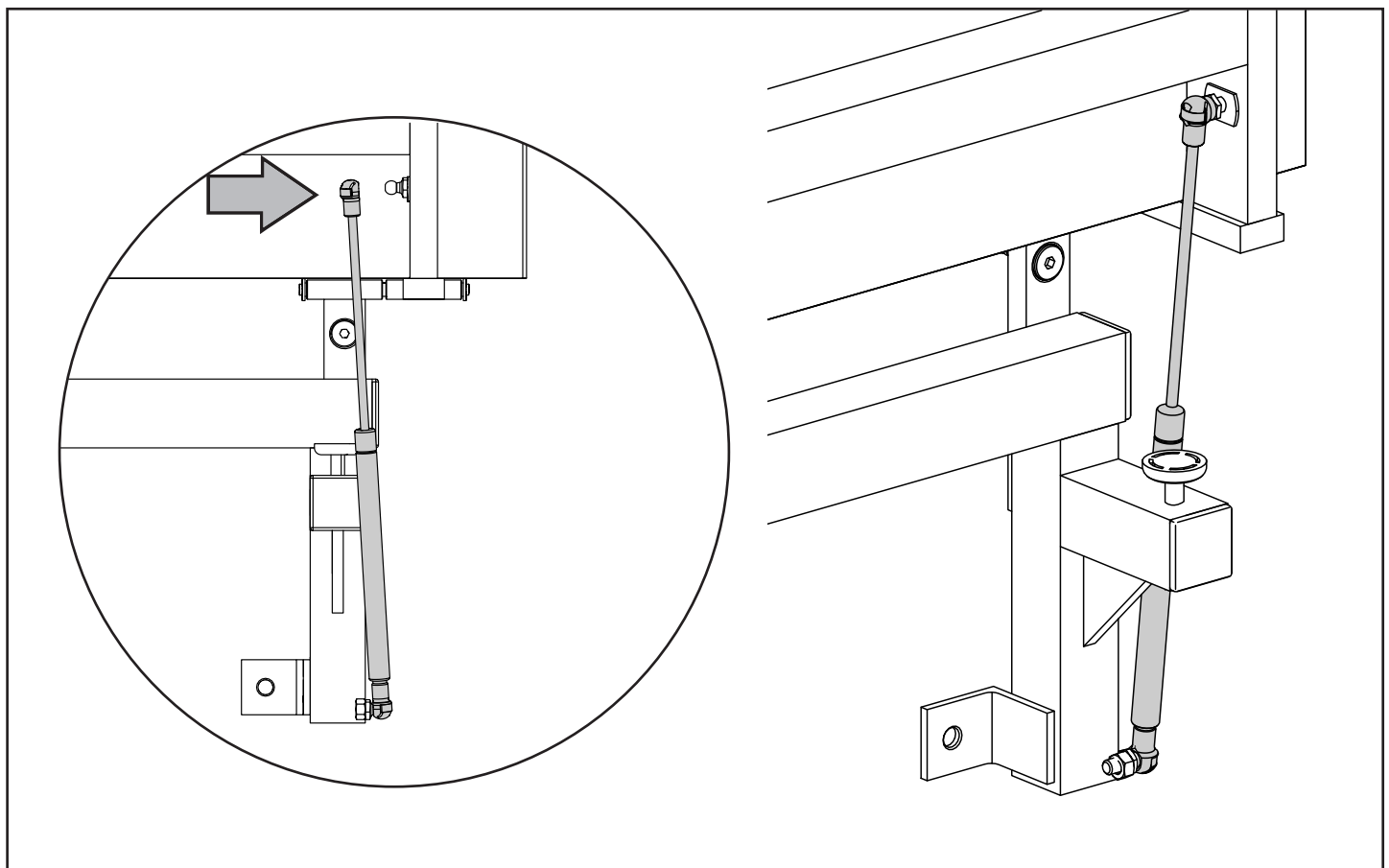
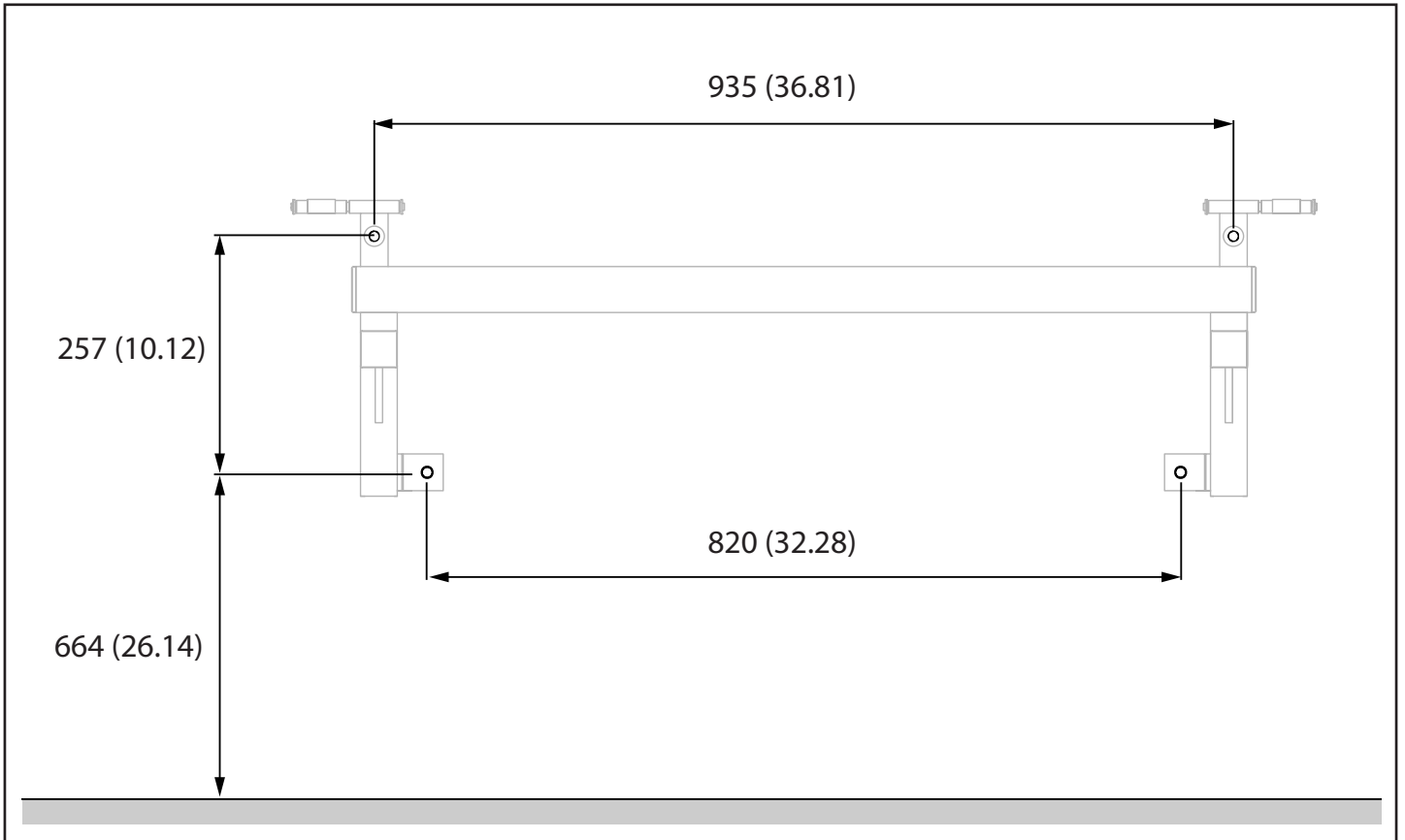
Drywall water-resistant, re-enforced with steel plates

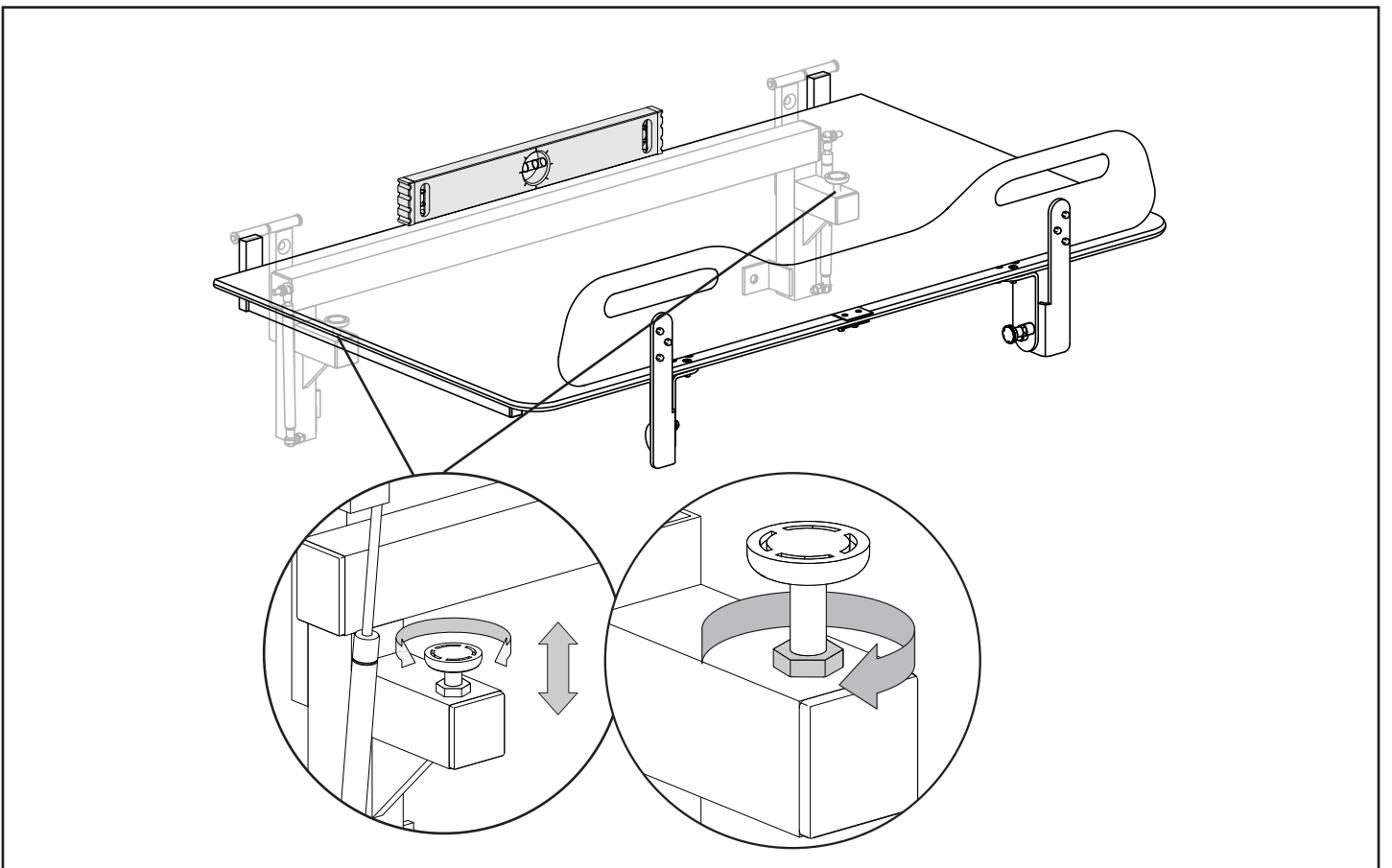
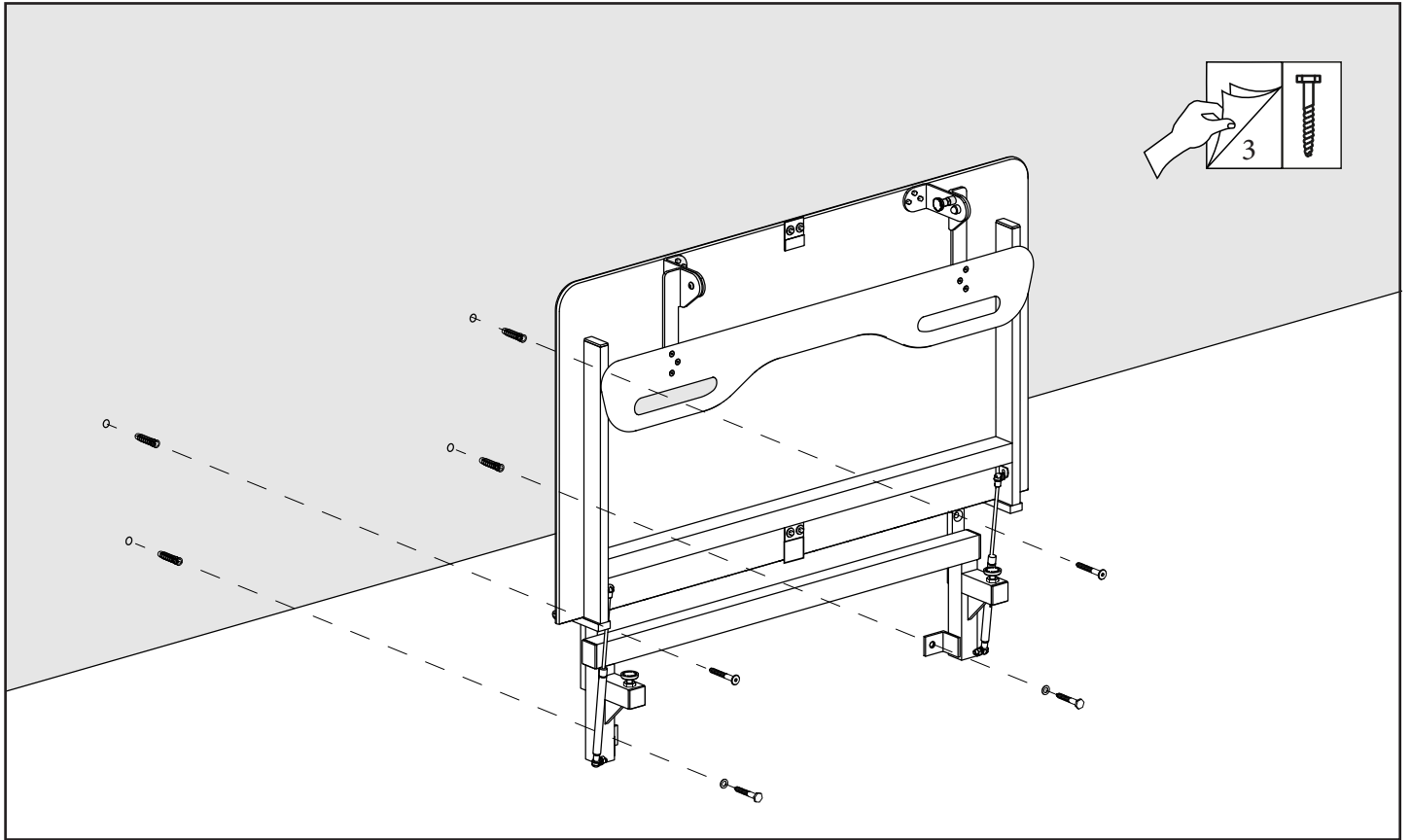


Drywall water-resistant



Incl. fixing bolts for brick wall. Plugs depend on wall type and must be ordered separately.







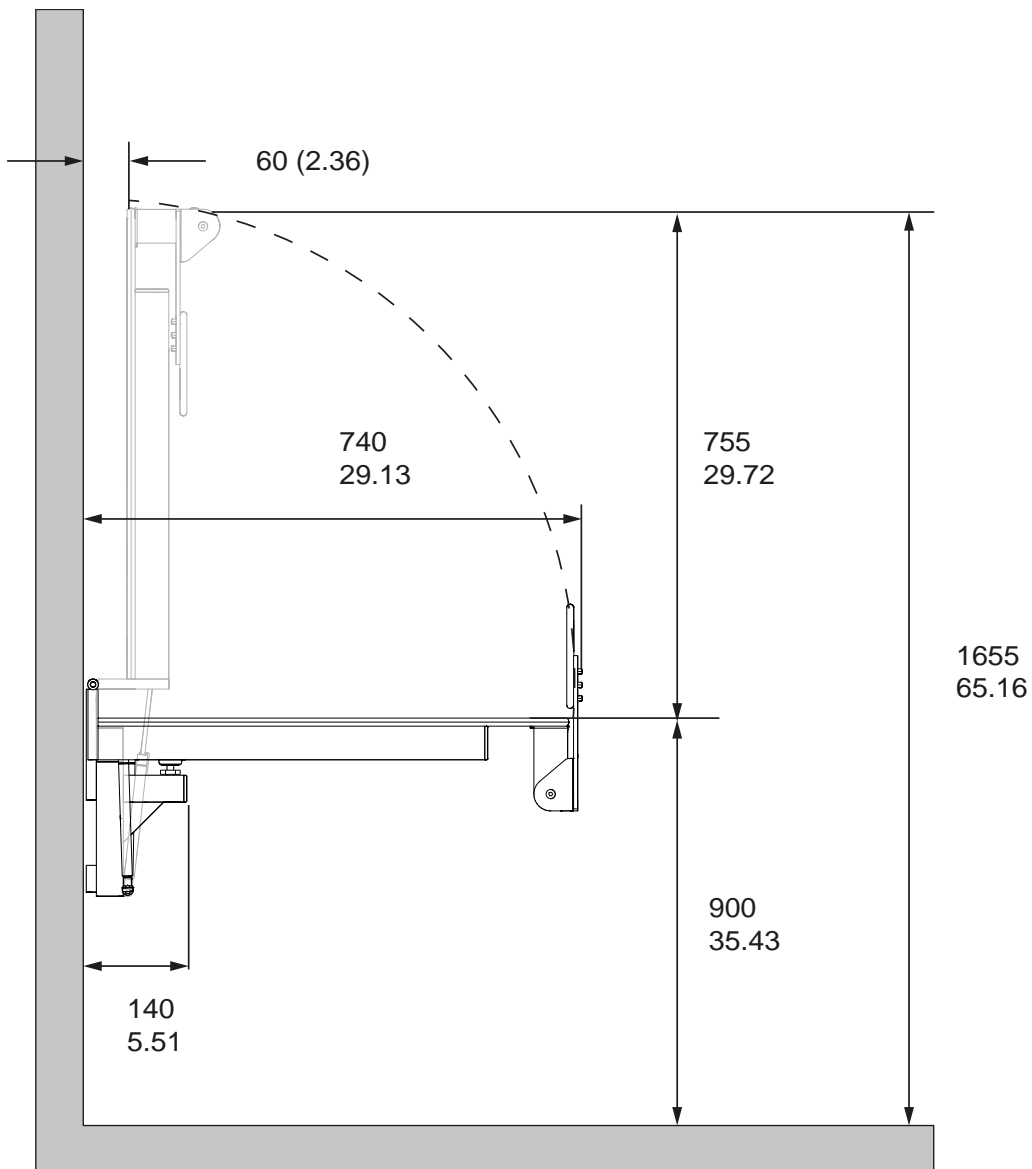
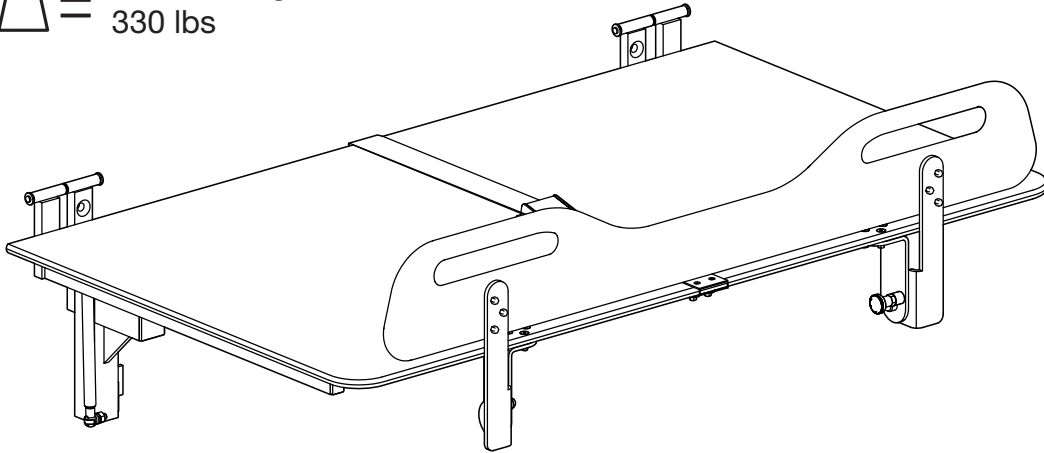
Installation Drawing



PRESSALIT®
www.max-ability.com

Pub Jan 2022 Page 6/7

  = Max. 150 kg
330 lbs



SKU: R8455512000
EAN: 5708590376585

