

**AquaMax
User
Manual**

Mobile Shower / Changing Trolley

R9464717000-R844717304
R9464717000-R844717302
R9464721000-R844721304
R9464721000-R844721302





GA

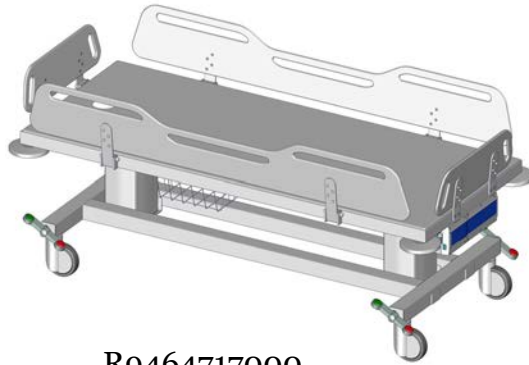


Find out more about this product by clicking here.

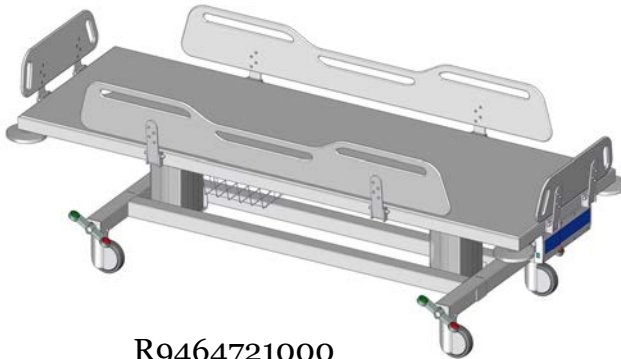
Or go to <https://max-ability.com/product/pressalit-shower-trolley/>

The guarantee covers faults or defects in material or manufacture within a period of 5 years. Products are subject to minor technical modifications and design deviations. E.&O.E.

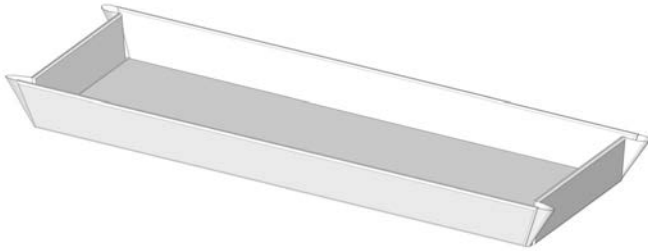
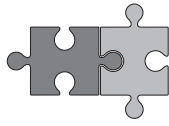
REF



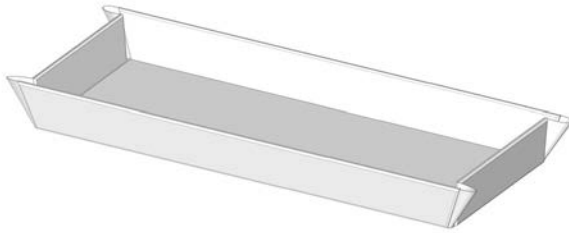
R9464717000



R9464721000



R844721

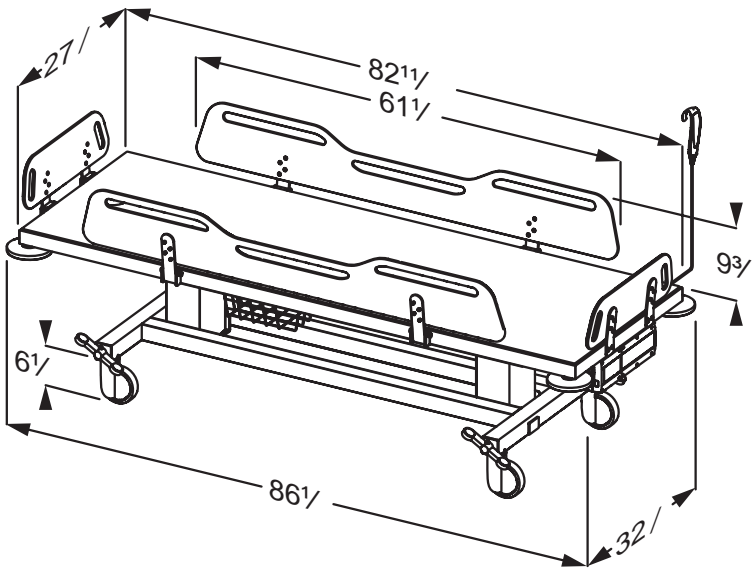
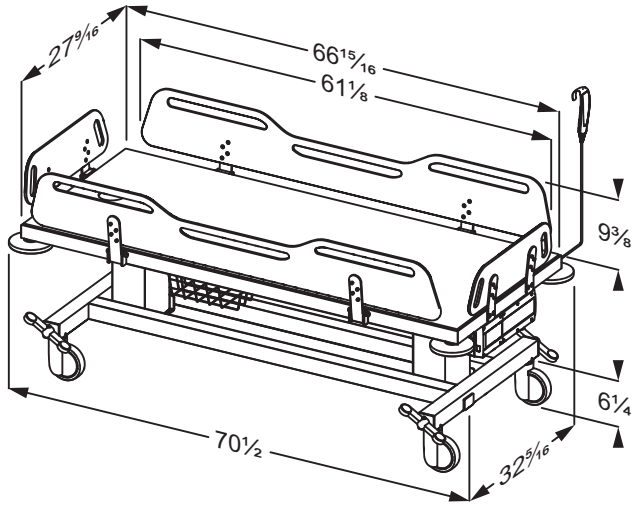


R844717



R844521

inch



Content

Symbols used in this manual	7
General safety	8
Product label	9
Intended use	11
Intended operator profile	11
Intended user profile	11
Operating environment	11
Contraindications for use	11
Biocompatibility	11
Operating instructions	12
Safety brakes	12
Moving	13
Side supports	14
Height adjustment	15
Tilt function	16
Resetting	16
Charging the battery	17
Accessories	19
Shower mattress	19
Head rest	21
Cleaning	22
Electromagnetic compatibility	23
Electromagnetic immunity	23
Electromagnetic emissions	23
Technical data	24
Trouble-shooting	25
Storage and transportation	26
Disposal and recycling	26

Symbols used in this manual

The following symbols are used in this manual as well as the associated documentation supplied with the product.



WARNING indicates a potentially hazardous situation which, if not avoided, could result in death or serious injury.



CAUTION indicates a potentially hazardous situation which, if not avoided, may result in minor or moderate injury. It may also be used to alert against unsafe practices.



IMPORTANT indicates important information about handling and use of the product.



NOTICE is used to address practices not related to personal safety.



Hand injury warning



Head injury warning



Feet injury warning



Electricity or potentially dangerous voltage.



Compatible products



Do not leave the patient unattended.

General safety

WARNING

- Read and understand the manual completely before use. Keep the manual close to the unit.
- Comply with this manual to avoid accidents involving serious personal injury.
- Never use or handle this product in other ways than are specified in this manual, as this can put your safety at risk and cause damage to the product.
- Make sure that everyone who is to install or use the product and its systems has the necessary information and access to this manual.

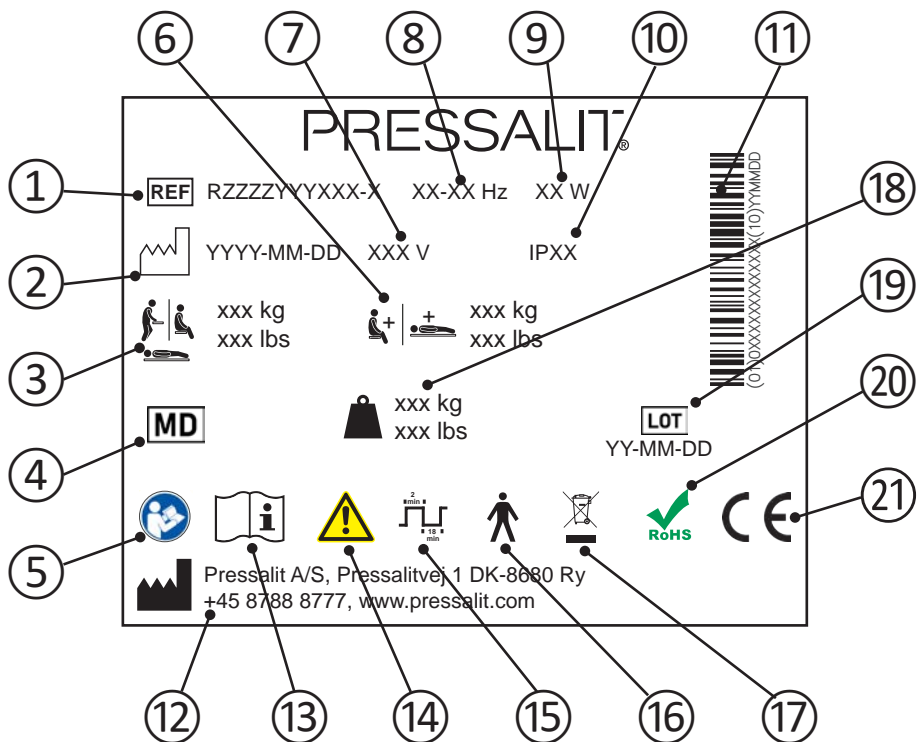
CAUTION

- Please comply with these instructions to avoid the product becoming damaged or destroyed.
- Do not perform repairs, disassembly, or assembly operations, extensions, re-adjustments or modifications to this product. These must be carried out by Pressalit or by persons authorized by Pressalit only.
- Never allow children to operate this product unless under supervision. The product is not intended for play.
- Never use the product if it is defective or damaged. Do not use a defective product before it has been repaired.

NOTICE

- The information in this manual is based on correct fitting of the product in accordance with our Assembly instruction.
- Pressalit cannot be held liable if the product is used in any way which differs from that described in the guide.
- We reserve the right to amend this manual without prior notice.

Product label



- ① Article number

- ② Production date

- ③ Maximum user weight

- ④ Medical device

- ⑤ Consult manual for use

- ⑥ Max load

- ⑦ Mains voltage

- ⑧ Frequency

⑨ Maximum power consumption

⑩ IP class

⑪ GS1-128 barcode

⑫ Name and address of manufacturer

⑬ Consult manual for use

⑭ Consult the manual for important cautionary information such as warnings and precautions

⑮ Duty cycle

⑯ Type B applied part Part of the product in normal use necessarily comes into physical contact with the patient to perform its function
The product complies with requirements of IEC 60601-1 to provide protection against electric shock

⑰ Do not dispose as unsorted municipal waste. The product should be collected separately and returned to the designated recycling service.

⑱ Product weight

⑲ Batch code

⑳ This product does not contain any of the hazardous substances mentioned in the Council Directive 2011/65/EC on RoHS.

㉑ This product is CE-marked in accordance with the European Medical Device Directive 93/42/EEC, including amendments incorporated in Directive 2007/47/EEC. A declaration of conformity can be found at www.pressalit.com.

Intended use

This product is intended for bathing a person who is unable to stand or sit. The person is lying horizontally on the shower trolley.

Intended operator profile

The product is to be used by personnel trained in health care and trained in washing a person in their care.

Intended user profile

The product can be used by all - adults, children, young, old, whose weight does not exceed the **maximum load of 200 kg / 440 lbs.**

Operating environment

For indoor use in a wet environment, such as a bathroom or wash room. The product is intended to be used at room temperature in public changing places, schools, private homes, nursing homes and hospitals under normal working conditions.

Contraindications for use

It is not recommended that pregnant women are bathed in the shower change trolley.

It is not recommended that patients with infusion or insulin pump, inflammatory skin diseases or patients in feverish conditions are bathed in the shower change trolley.

Patients with cardiac insufficiency, cardiovascular diseases, craniocerebral injury, open wounds, feed or drain lines (e.g. catheter, drainage tube) may be bathed in the shower change trolley only after consulting with the attending physician.

Do not use if the patient's weight exceeds 200 kg / 440 lbs.

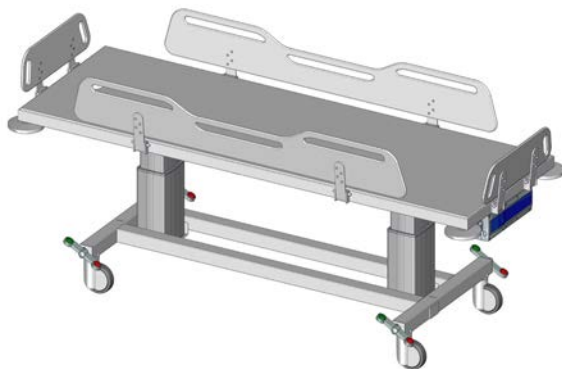
Biocompatibility

The materials in contact with the skin of the patient or the user during the changing procedure, have been tested for their content of harmful substances according to ISO 10993 Biocompatibility, and are therefore considered suitable for this purpose.

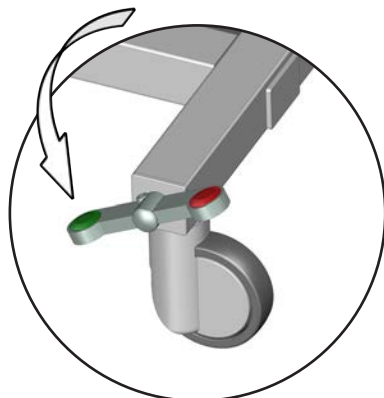
Operating instructions

Safety brakes

The shower change trolley is equipped with safety brakes on all four castor wheels to ensure that it cannot move unintentionally.



To lock the brakes: Step on the red button on one of the four rocker pedals to lock the brakes on all four wheels.

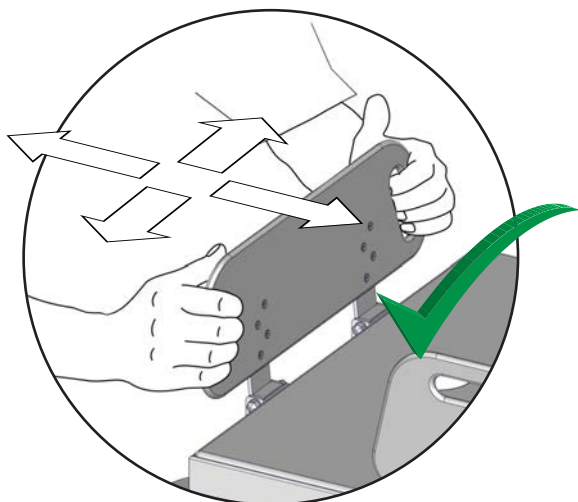
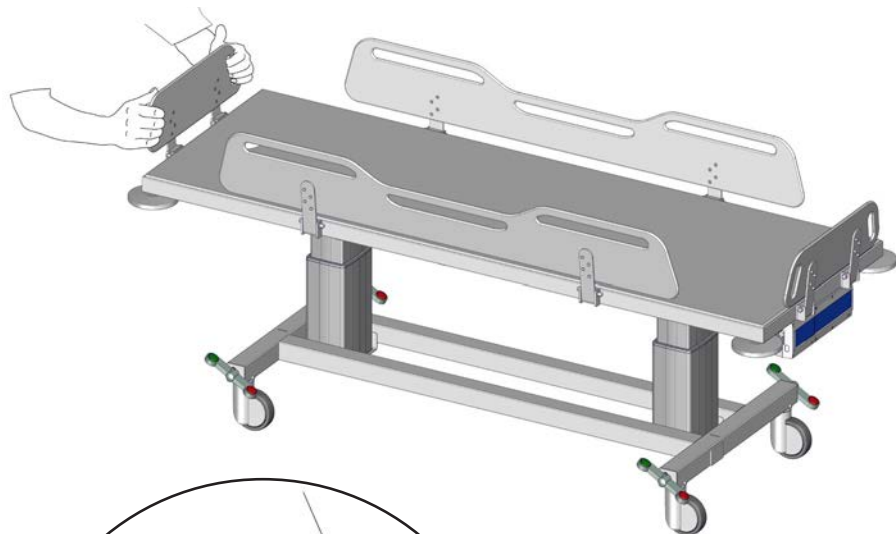


To unlock the brakes: Step on the green button on one of the four rocker pedals to unlock the brakes on all four wheels.



Always ensure that the brakes are locked when transferring a patient to and from the shower change trolley.

Moving



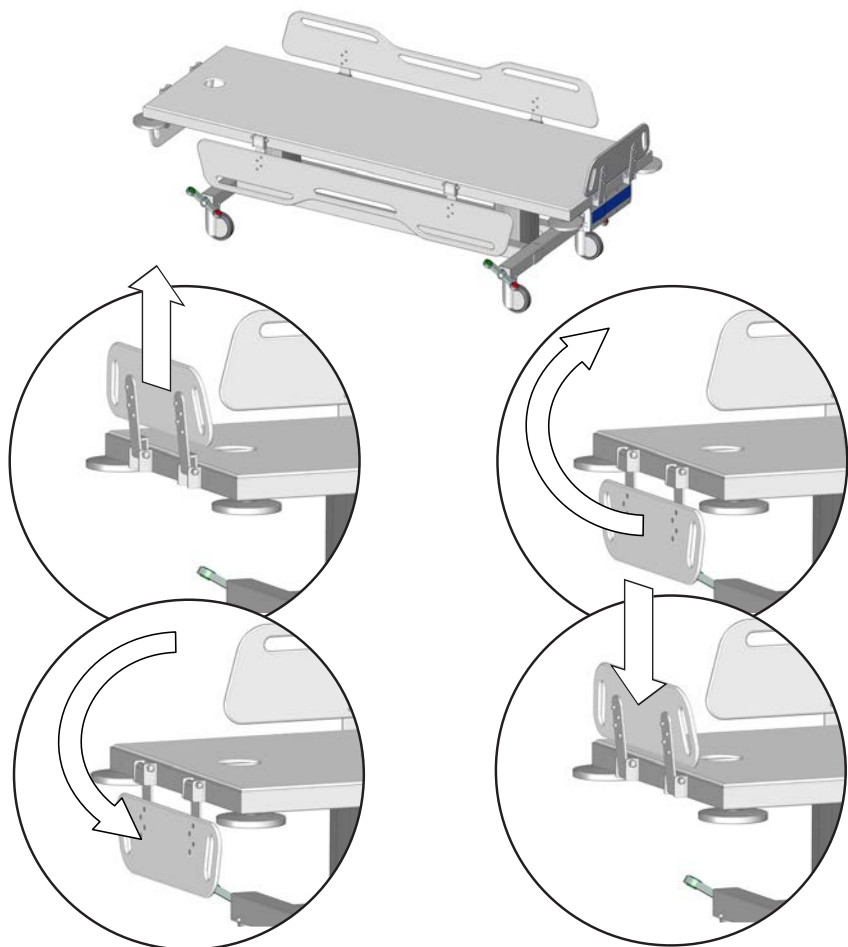
Use the cut-out grips on the side supports when moving the shower change trolley. Push straight ahead in the desired direction. Do not twist or turn the side support.



Do not leave the patient unattended.

Side supports

The side supports can be folded up and down individually for easy transfer of the patient. The end supports can be folded up and down individually for easy access to the patient's feet/legs (putting on stockings, etc).



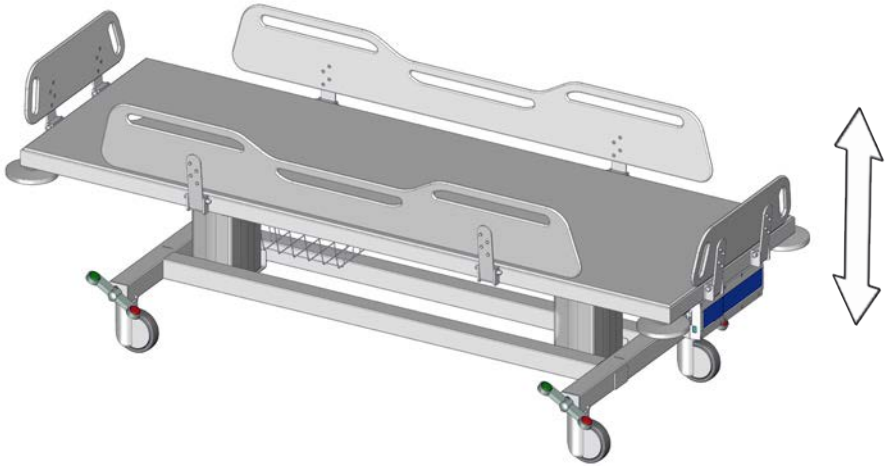
To fold down: Lift the side support upwards to unlock it, and swing it down.

To fold up: Swing the side support up and push it down to lock it in place.



When the trolley is in use, make sure that all side supports are erect and in locked position to protect the patient from falling out of the unit.

Height adjustment



The shower change trolley can be adjusted 400 mm / 15¾" up and down.

Max user weight: 200 kg / 440 lbs

Max load: 250 kg / 550 lbs

The height adjustment is controlled by the wired remote control unit.



Press and hold the Up button to raise the unit.
When the button is released, the motion stops.



Press and hold the Down button to lower the unit.
When the button is released, the motion stops.

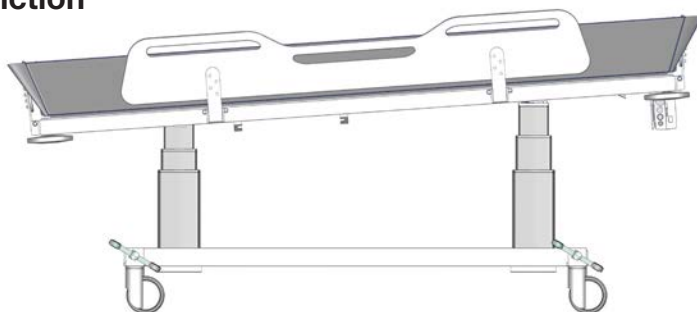


To avoid the risk of strangulation, make sure that the wired remote control is placed in its holder when not in use.



Take care to avoid injury to hands, feet and head when in the vicinity of moving mechanical parts.

Tilt function



The shower change trolley can be tilted approximately 3 degrees to allow the water to drain when using the optional shower mattress.

The tilt function is controlled by the wired remote control unit.



Press and hold the Tilt up button to tilt the unit. The motion stops when the unit is tilted approx. 3 degrees, or when the tilt up button is released.



Press and hold the Tilt down button to level the unit. The motion stops when the unit is level, or when the tilt down button is released.

It is still possible to raise and lower the unit when it is in tilted position.

Resetting

If the lifting function does not work properly or if the two lifting columns are out of sync, try resetting the lifting system.



Press and hold the up button and the down button simultaneously.



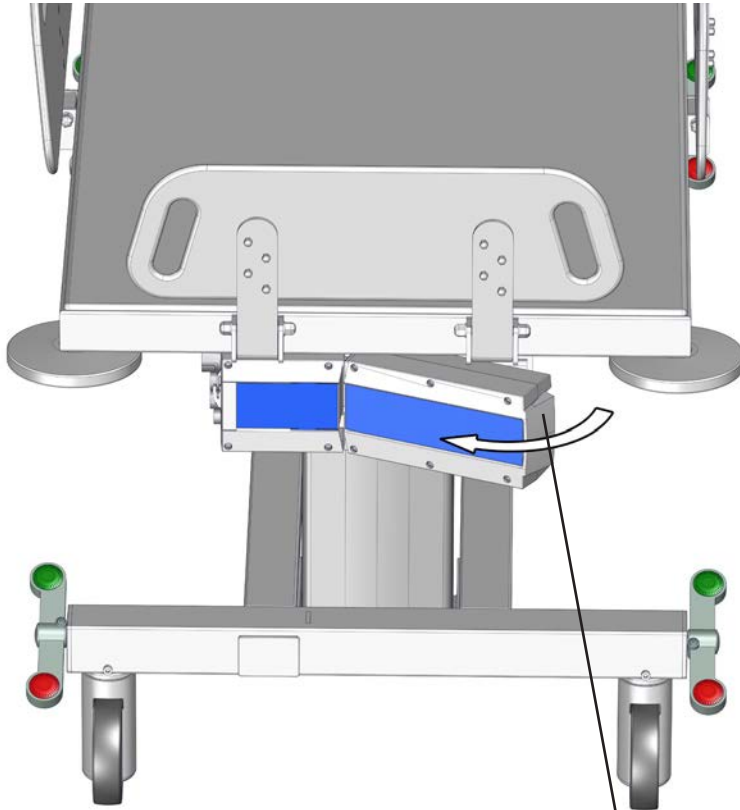
The columns will move down after a few seconds while a beep tone is heard.

Keep holding both buttons until the beep tone disappears.

The lifting columns are now reset.

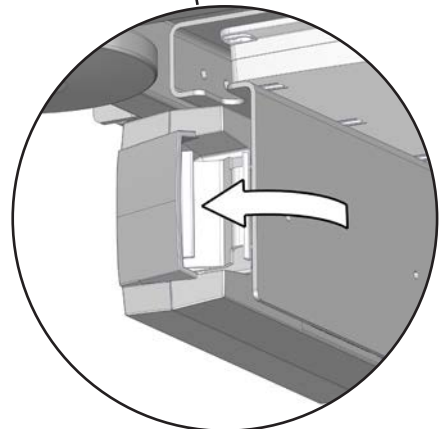
Charging the battery

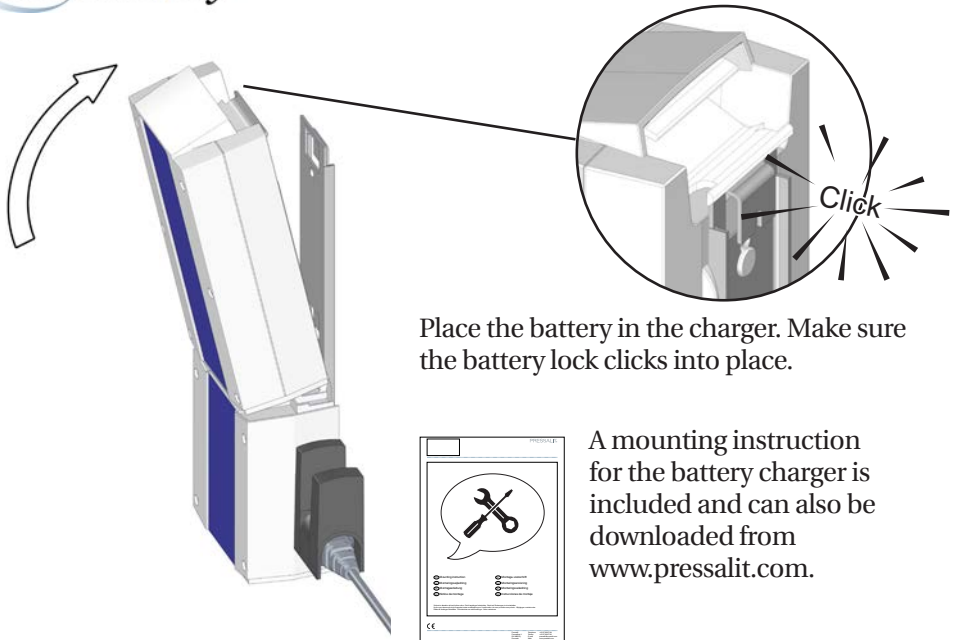
The battery can height adjust the shower change trolley up to 30 times when fully charged.



Release the lock to remove the battery for charging.

Reattach the battery after charging before placing the patient on the shower change trolley.





Place the battery in the charger. Make sure the battery lock clicks into place.

A mounting instruction for the battery charger is included and can also be downloaded from www.pressalit.com.

⚠ CAUTION

When the battery is running low, a beep tone is heard when you operate the remote control. Although there is still enough power to raise or lower the unit, it is of utmost importance that you charge or replace the battery immediately. Failure to do so will soon cause the lifting function to stop working.

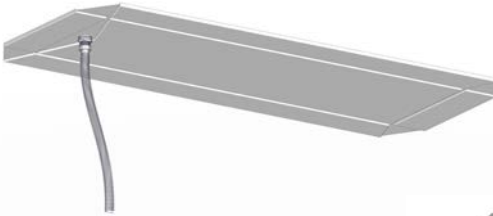
IMPORTANT

If the battery has not been used for more than a week, it enters into standby mode to save power and to protect the battery. Place the battery in the charger for approx. 15 seconds to exit the standby mode before use. Please note that there is no audio signal to indicate the standby mode or to indicate exit of standby mode. If there is still no power after exit of standby mode, the battery needs to be charged. The battery must be recharged every 6 months.

Accessories

Shower mattress

The shower change trolley can be used as a bathtub with the optional shower mattress, (R844721 and R844717).



Attach the drain hose to the mattress drain, as per the included mounting instruction.

Pull the drain hose through the shower trolley's drain hole, fold the mattress and place it on the trolley. Make sure that all four side supports on the shower trolley are folded up and locked.

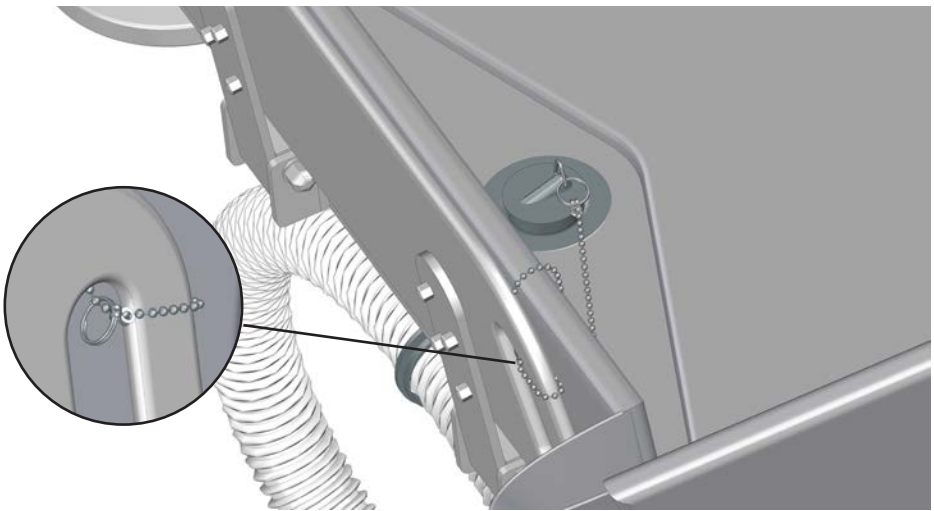


An instruction for attaching the drain hose is included with the shower mattress and can also be downloaded from www.pressalit.com.

IMPORTANT

- Check for damages on the mattress on a regular basis. This will prevent infection of the mattress.
- Use gloves while handling the waste hose for the mattress. It might have contact to human waste.

Coil up the hose and attach it to the hose hanger.



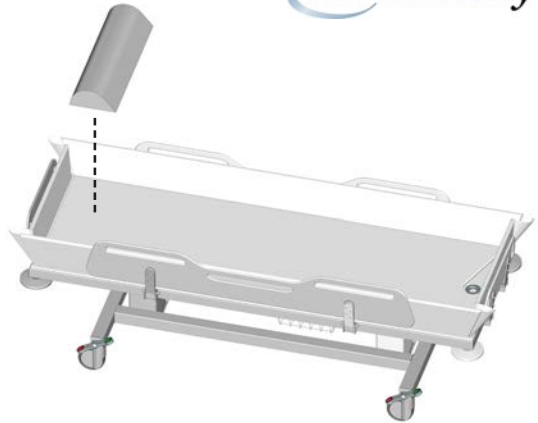
Attach one key ring of the chain to the plug. Make a loop around one of the footboard handles with the other ring.

IMPORTANT

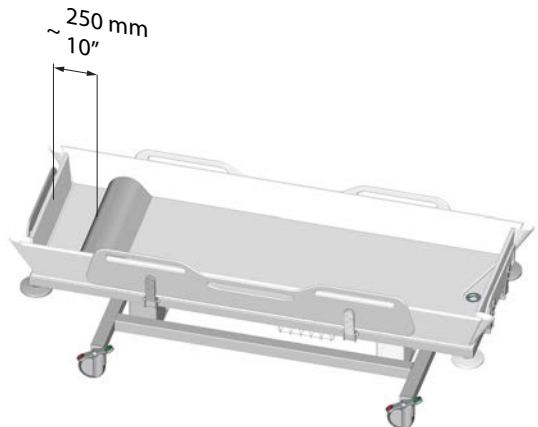
Do not move the trolley when there is water in the shower mattress.

Head rest

The shower shower mattress can be used with the optional headrest for optimal comfort, (R844521).



Place the headrest at the head end of the shower trolley, approx. 250 mm (10") from the headboard.



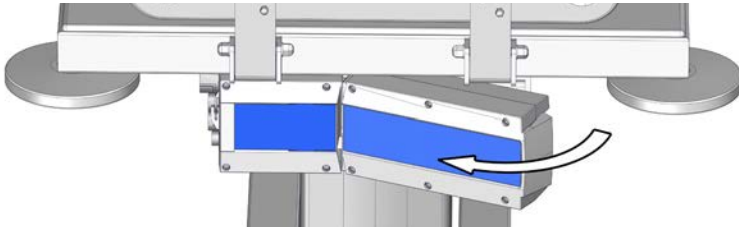
The mattress and the head rest is to be cleaned with hot water or a mild soapy cleaning agent. A list of suitable cleaning agents/disinfectants tested by Pressalit can be found on www.pressalit.com

IMPORTANT

Check for damages on the head rest on a regular basis. This will prevent infection of the head rest.

Cleaning

Remove the battery before cleaning the shower change trolley.



The product is to be cleaned with hot water or a mild soapy cleaning agent. A list of suitable cleaning agents/disinfectants tested by Pressalit can be found on www.pressalit.com.

CAUTION

Always read the material safety data sheet (MSDS) and supplied instructions of the cleaning, disinfecting or de-scaling agent and comply with instructions for safe use, dilution, rinsing, drying, handling and storage of the agent.

IMPORTANT

- Do not use an autoclave or other type of steam cleaner.
- Avoid aggressive cleaning agents containing acids
- Never spray the product directly with a high pressure cleaner.
- For surface disinfection, chlorine-based disinfectants may be used according to the product specification and safety precautions for these products.

CAUTION

Do not perform any type of cleaning or disinfection of the shower change trolley while the patient is lying on it.

Electromagnetic compatibility

Electromagnetic immunity

Test standard	Compliance level	Test level / details	Test results
EN60601-1-2 and EN17966 (Home healthcare environment)	=> 10V/m 2,7GHz	15V/m Frequency range: 80MHz- 6GHz 1% step size	Passed
EN60601-1-2 (Proximity fields from RF wireless communications equipment)	=> 10V/m 2,7GHz	15V/m Frequency range: 385 - 5785 MHz	Passed
IEC 61000-4-4 (Electrical fast transients / bursts)		Quick pulse simulation	Passed
Conducted disturbances induced by RF	Pulse subjection, 6V	Pulse subjection, 10V	Passed
Electrostatic discharge		Statically charged person discharge on unit, 8kV and 15kV	Passed (*)

* If a statically charged person discharges on or near the shower trolley control box, a fault may occur in the lifting columns, and a reset must be performed. See "**Resetting**".

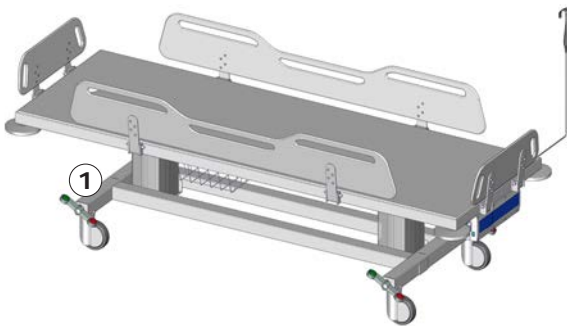
Electromagnetic emissions

Test standard	Test level / details	Test results
60601-1-2 ch. 7.1.1.7 - CISPR 14	30MHz – 1GHz	Passed

Technical data

Max user weight	200 kg / 440 lbs	
Max load	250 kg / 550 lbs	
Product weight	R94x4717	107 kg / 236 lbs
	R94x4721	111 kg / 222 lbs
Lifting height	550 – 950 mm (21 $\frac{1}{8}$ - 37 $\frac{3}{8}$)	
Tilt degree	3°	
Battery capacity	2,25Ah	
Battery weight	1 kg (2.2 lbs)	
Battery charging time	3-4h	

Expected service life of the shower change trolley is 10 years.



Product label placement ①.

Trouble-shooting

Symptom	Cause	Action
No power.	Battery depleted.	Recharge the battery. See " Charging the battery ".
No power.	Battery in standby mode.	Place the battery in the charger for approx. 15 seconds. See " Charging the battery ".
The shower trolley is skewed even though the tilt function is not activated.	The lifting columns are out of sync.	Reset the lifting columns. See " Resetting ".
The shower trolley cannot be raised or lowered.	If a statically charged person discharges near the shower trolley control box, a fault may occur in the lifting columns.	Reset the lifting columns. See " Resetting ".

Verify your purchase details before carrying out repairs so you don't void your warranty:

We guarantee all product components against manufacturing defects for five years, and parts repair/labor for one year, from the invoice date. In most instances the affected parts are replaced, not repaired.

Parts damaged due to improper assembly, installation, or procedure; lack of recommended maintenance including cleaning; or lost after delivery cannot be included in this warranty.

Storage and transportation

- The temperature for transportation and storage of the unit must be between 5 and 40 degrees Celsius.
- The unit must always be transported in its original packaging.
- Avoid subjecting the packaging to shocks and impacts.
- Do not use the product if the packaging is broken or damaged.

Disposal and recycling

The unit contains reusable materials. There are no known hazards or risks associated with disposal of the product. All components can be discarded after having been cleaned and disinfected.

When disposing of the product, we recommend that it be disassembled and broken down into different waste groups for recycling or combustion.

The following table provides information on the recycling and handling of the product.

Recyclable components	Material
Steel	Steel can be recycled by being melted down and included as a secondary material in the production of new steel.
Plastics	Use plastic sorting and recycling systems where they are locally available, otherwise incinerating plastic has the added benefit of generating energy which can be used for, for example, combined heat and power production.
Electronics	The electronic components should be collected separately and returned to the designated recycling service.
Batteries	Disposal of the battery must be in accordance with local regulations.