



www.max-ability.com

This manual has been prepared for the owners and operators of the ARMEDICA™ AM-Series Hi-Lo Treatment Tables. It contains installation instructions, precautionary instructions and maintenance procedures for the following model numbers:

**AM-134, AM-140, AM-234, AM-240,
AM-334, AM-340, AM-368**



MAX-Ability, Inc.
info@max-ability.com
800 577-1555



ISO 13485
FM 50089

AM-SERIES HI-LO TREATMENT TABLES

Armedica Treatment Tables are intended to be used as physical therapy supports for patients during clinician attended physical therapy related diagnosis, treatment, and monitoring. The table is equipped with a vertical table height adjustment actuator and casters for mobile transport.

Patients are not to be left unattended.

INSTALLATION

1. Remove all packaging material from the tables.
2. There is no assembly required on the ARMEDICA™ Treatment Tables.
3. Plug the power cord into a properly grounded 120 Volt AC outlet and follow the procedure outlined in the Precautionary Instructions.
4. The table is equipped with leveling glides to be used where necessary to achieve maximum stability.
5. The motor is equipped with a thermal cutout that protects it from overheating.

PRECAUTIONARY INSTRUCTIONS

1. Read, understand and practice the precautionary instructions in this manual. Know the limitations and the hazards associated with the ARMEDICA™ Treatment Tables.
2. Always disengage the caster system when the table has been placed in the desired location for patient use.
3. This equipment generates, uses and can radiate radio frequency energy and, if not installed and used in accordance with the instructions, may cause harmful interference to other devices in the vicinity. However, there is no guarantee that interference will not occur in a particular installation. If this equipment does cause harmful interference to other devices, which can be determined by turning the equipment off and on, the user is encouraged to try to correct the interference by one or more of the following measures:
 - Reorient or relocate the receiving device.
 - Increase the separation between the equipment.
 - Connect the equipment into an outlet on a circuit different from that to which the other device(s) are connected.
 - Consult the manufacturer or field service technician for assistance.
4. For Model 368 and all models with 4-swivel lock casters make certain all casters are locked prior to patient use.
5. Always use both hands when changing the angle of any section of the table.
6. Never change the angle of any section when the patient's weight is on that section.
7. Never place your hands or feet nor the patient's hands or feet near any of the working mechanisms of the table when raising or lowering the table.
8. **Never leave the patient unattended.**

OPERATING INSTRUCTIONS

To adjust the height of the ARMEDICA™ Treatment Tables, a low voltage hand switch or foot switch is used to activate the electric motor assembly. The up or down motion is clearly indicated by arrows.

Duty cycle on/off Int. 1 min./ 9 min.

TABLE SECTION ADJUSTMENTS

The sections of the ARMEDICA™ Treatment Tables are raised by lifting them with both hands. The locking mechanism holds them securely at any angle. To lower a section, hold it in one hand and release the locking mechanism by turning the knob with the other.

CAUTION: When lowering any of the table sections, make certain that your hands are placed where they cannot come in contact with the board supports.

CAUTION: When adjusting the sections with the patient on the table, be sure that the patient's weight is not on the section you are going to adjust.

CAUTION: To adjust the armrest on the 3-piece head section, use two hands placed on each end and pull out to the side then raise or lower into the up or down position and release.

CAUTION: Make sure the armrest on the 3-piece head section is locked securely in position before the patient places any weight on it.

POWER ASSISTED CASTER SYSTEM

To activate the casters, the table must be elevated at least 6 inches above the minimum height. Pull to slide the caster lever bar toward the foot end of the table and lock into position. Lower the table to the minimum height. The table is now on casters and can be repositioned. When the table is in the desired location raise it up 6 inches, lift the lever bar and slide in toward the head of the table. This will move the activator support bar forward and disengage the caster system. If the table is not level in its new location, adjust the leveling glides to insure maximum stability.

MAINTENANCE

The ARMEDICA™ Treatment Tables are equipped with a maintenance free electric motor. The moving parts of the table should have a drop of oil placed on them approximately every six months.

Frequently check to make certain that all hardware (nuts, bolts, etc.) are properly adjusted and securely fastened.

In the event it becomes necessary to replace the hand switch, foot switch or the power cord, make certain that the plug is in properly and the locking tabs on the motor snaps in place.

The vinyl cover should be cleaned with mild soap and water and the table frame wiped with a dry cloth to remove dust and lint when necessary.

SYMBOLS AND INDICATORS



Attention: Consult accompanying documents.



Type B Equipment: "An adequate degree of protection against electric shock is provided, particularly regarding leakage currents and reliability of the protective earth connection."



The grounding pin located on the power supply cable is for Functional use only, and is present for EMI/ EMC purposes. The product is Class II equipment and does not rely on this grounding means for safety.

TROUBLE SHOOTING

MOTOR DOESN'T WORK.

- A. Check to see if motor is plugged into receptacle, and the power cord is properly plugged into the motor.
- B. Make sure receptacle is getting power.
- C. Check hand switch or foot switch to be sure it is plugged in.
- D. Thermal cutout may have activated. Allow the motor to cool.
- E. In the event there is a failure of the motor, the motor must be returned to Armedica Mfg. Corp. The motor must be serviced by the manufacturer.

MOTOR SPECIFICATIONS

500 lbs. CAPACITY:

Magnetic Corp., Olney, Illinois 62450

Model MAX 74-A200415A1001-000.

100-240VAC 50/60Hz`

Current 3.2A/1.6A

UL CORD SET 140-355

Duty cycle: on/off Int. 1 min. / 9 min.

Foot switch: IPX1

800 lbs. CAPACITY:

Magnetic Corp., Olney, Illinois 62450

Model RUNNER 12KN-RU22-200415A15000-00

Rated Voltage and Frequency 120V 60HZ

Current 7 Amps.

POWER SUPPLY MAG BCP-11-RRR-000-000

Duty cycle: on/off Int. 1 min. / 9 min.

Transport and storage

Ambient temperature: 0°-40° C

Relative humidity: 5% to 85%, + Condensation

Atmospheric pressure: 700hPa to 1060hPa

TABLE LIFTING CAPACITY:

AM-134, 140, 234, 240, 334, 340 :

500 lbs (226 Kilograms)

AM-368:

800 lbs. (361 Kilograms)

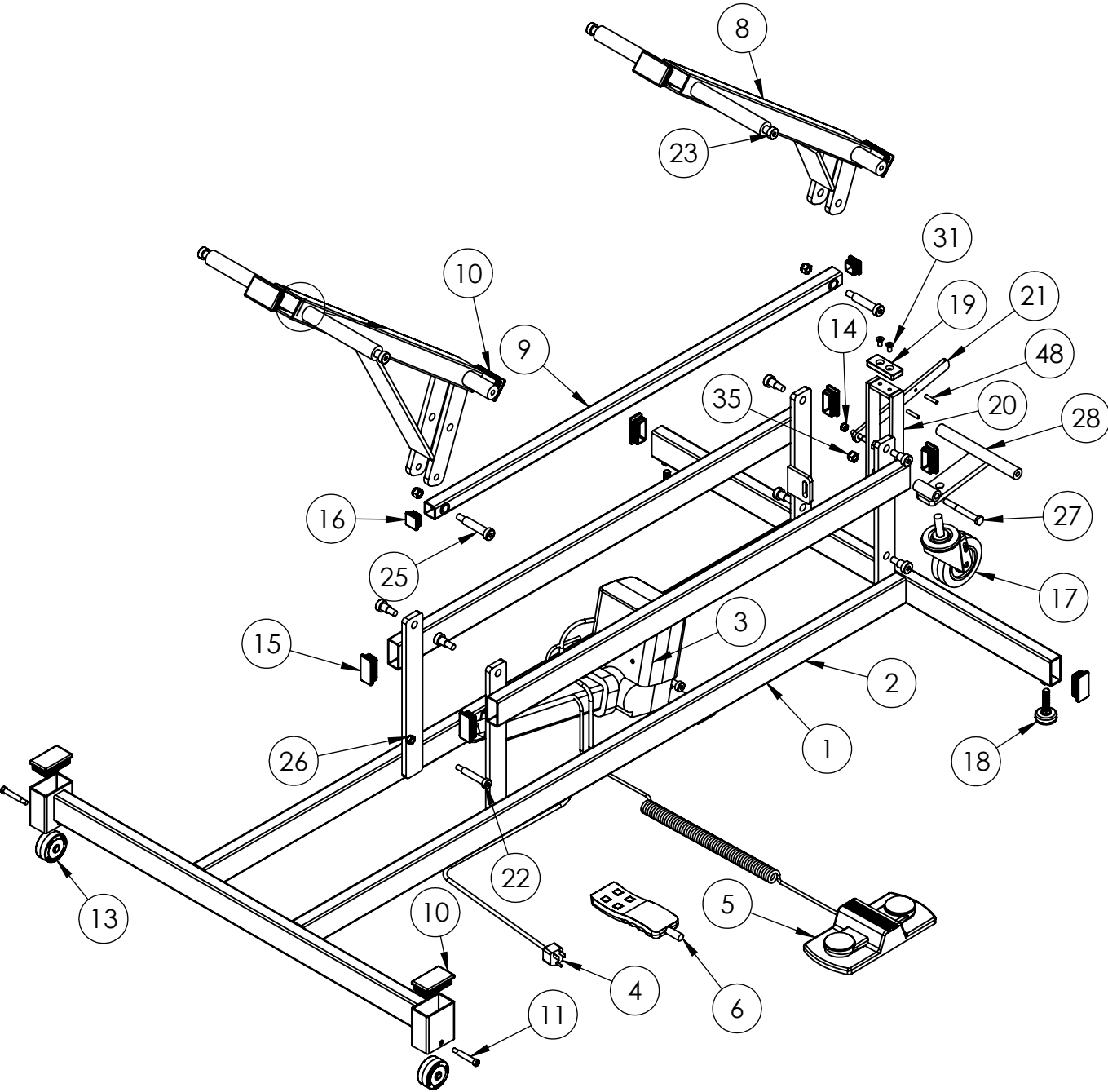
PARTS LIST

ITEM NO.	PART NO.	DESCRIPTION	QUANTITY						
			134	140	234	240	334	340	368
1	18174	BASE FRAME 28" WIDE	1	1	1		1		
2	18178	BASE FRAME 36" WIDE				1		1	
3	03105	MOTOR MAX65 8000N 120V	1	1	1	1	1	1	
4	03107	POWER CORD	1	1	1	1	1	1	
5	03106	FOOT SWITCH MAX65 8000N	1	1	1	1	1	1	
6	03113	HAND SWITCH MAX65 (OPTIONAL)	1	1	1	1	1	1	1
7	18277	LIFTING ARM HEAD END	1	1	1	1	1	1	
8	18330	LIFTING ARM FOOT END	1	1	1	1	1	1	
9	18184	CONTROL ROD 3 PC	1	1	1	1	1	1	
10	03020	PLUG 1-1/2x2-1/2	6	6	6	6	6	6	
11	02010	BOLT SHOULDER 5/16x1-1/2			2	2	2	2	
12	02160	WASHER NYLON 5/16ID			4	4	10	10	6
13	03055	WHEEL 2x7/8	2	2	2	2	2	2	
14	02100	NUT NYLOCK 1/4-20	2	2	4	4	6	6	4
15	03015	PLUG 1x2	6	6	10	10	10	10	8
16	03010	PLUG 1x1	2	2	2	2	2	2	2
17	03050	CASTER SWIVEL	1	1	1	1	1	1	
18	03060	GLIDE LEVELER BASE	2	2	2	2	2	2	
19	13098	BUMPER CASTER YOKE	1	1	1	1	1	1	
20	18123	CASTER YOKE BRACKET	1	1	1	1	1	1	
21	12006	BAR 1/4x3/4x8-5/8 CASTER LOCK LEVER	1	1	1	1	1	1	
22	02025	BOLT SHOULDER M 12x50	2	2	2	2	2	2	2
23	02015	BOLT SHOULDER 1/2x1/2	10	10	10	10	10	10	
24	02165	WASHER NYLON 1/2 ID	12	12	12	12	12	12	2
25	02020	BOLT SHOULDER 1/2x2	2	2	2	2	2	2	
26	02115	NUT NYLOCK M10-1.5	2	2	2	2	2	2	2
27	02049	SCREW HEX HEAD CAP 3/8-16x3	1	1	1	1	1	1	
28	18121	CASTER PIVOT BRACKET	1	1	1	1	1	1	
29	02145	WASHER 1/2	1	1	1	1	1	1	
30	02090	NUT NYLOCK 1/2-13	1	1	1	1	1	1	
31	02060	SCREW FLAT HEAD PHIL 1/4-20x1/2	2	2	2	2	2	2	
32	02022	BOLT SHOULDER 5/8x1/2							2
33	02110	NUT NYLOCK 3/8-16	3	3	3	3	3	3	2
34	02120	NUT HEX FIN 1/4-20	1	1	1	1	2	2	
35	02105	NUT NYLOCK 5/16-18			3	3	7	7	4
36	14078	UPHOLSTERED ADJUSTABLE BOARD 34"			1				
37	14072	UPHOLSTERED ADJUSTABLE BOARD 40"				1			
38	14080	UPHOLSTERED FIXED BOARD 34"			1				
39	14073	UPHOLSTERED FIXED BOARD 40"				1			
40	18427	234 FRAME BACK SECTION			1				
41	18349	240 FRAME BACK SECTION				1			
42	18265	234 TOP FRAME			1				
43	18233	240 TOP FRAME				1			
44	18452	ROD 1/2x18 FOOT SUPPORT			2	2	2	2	
45	18127	BRACKET LOCK SUPPORT			2	2	4	4	4
46	13023	THREADED ROD 1/2x28-1/2 26W			1		1		
47	13038	THREADED ROD 1/2x36-1/2 34W				1		1	1
48	02170	PIN SPRING 3/16x1			4	4	6	6	
50	03070	KNOB WING 1/2x13ID			2	2	4	4	2
51	03025	SPRING TORSION RIGHT			1	1	1	1	1
52	03035	SPRING TORSION LEFT			1	1	1	1	1
53	02521	BOLT SHOULDER 1/2x2-1/4							2
54	03118	FOOT SWITCH RUNNER BCU CONTROL							1
55	02533	BOLT SHOULDER 5/8x5/8							6
56	03065	GLIDE 1/4-20x1	2	2	2	2	2	2	2

PARTS LIST

ITEM NO.	PART NO.	DESCRIPTION	QUANTITY						
			134	140	234	240	334	340	368
57	02065	SCREW HEX WASHER HEAD #14x1			13	13	12	12	12
59	02045	SCREW HEX HEAD CAP 1/4-20x1			3	3	4	4	4
60	18489	BASE FRAME 368							1
61	02005	BOLT SHOULDER 5/16-3/4			2	2	4	6	2
62	02035	SCREW BUTTON HEAD SOC 5/16-18x1-1/2			2	2	4	4	4
63	18328	TOP FRAME 334					1		
64	18347	TOP FRAME 340						1	
65	18172	334 FRAME HEAD SECTION					1		
66	18187	340 FRAME HEAD SECTION						1	
67	18349	334 FRAME FOOT SECTION					1		
68	18427	340 FRAME FOOT SECTION						1	
69	14331	334 UPHOLSTERED BOARD HEAD SEC 34"					1		
70	14341	340 UPHOLSTERED BOARD HEAD SEC 40"						1	
71	14332	334 UPHOLSTERED BOARD CENTER SEC 34"					1		
72	14342	340 UPHOLSTERED BOARD CENTER SEC 40"						1	
73	14333	334 UPHOLSTERED BOARD FOOT SEC 34"					1		
74	14343	340 UPHOLSTERED BOARD FOOT SEC 40"						1	
75	03030	SPRING TORSION LESS BEND RIGHT					1	1	1
76	03040	SPRING TORSION LESS BEND LEFT					1	1	1
77	13018	ROD 1/2x27 THD'D 26W HD LOC PLTD					1		
79	18446	ROD 1/2x11-11/16 HEAD SEC SUPPORT					2	2	2
80	14727	368 UPHOLSTERED BOARD HEAD SEC 36"							1
81	14729	368 UPHOLSTERED BOARD CENTER SEC 36"							1
82	14728	368 UPHOLSTERED BOARD FOOT SEC 36"							1
83	18473	TOP FRAME 368							1
84	18471	368 FRAME FOOT SECTION							1
85	18481	368 FRAME HEAD SECTION							1
86	13032	THREADED ROD 1/2x36-1/2 HEAD SECTION							1
87	02135	NUT HEX FIN JAM 1/2-13			2	2	4	4	4
89	13034	THREADED ROD 1/2x36-1/2 FOOT SECTION							1
90	18483	LIFTING ARM HEAD END 368							1
91	18485	LIFTING ARM FOOT END 368							1
92	03116	MOTOR MAGNETIC RUNNER 12KN							1
93	03117	POWER SUPPLY MAG BCP-11-RRR-000-000							1
94	03156	CASTER SWIVEL 3.5 TOTALOCK							4
95	03012	CAP FINISH BLACK BOLT COVER							4
96	02102	SCREW HEX HEAD CAP 1/2-13x1-1/2							4
97	03011	WASHER RHW-207 FINISH CAP							4
98	02095	NUT NYLOCK JAM 1/2-13							4
99	02070	SCREW HEX WASHER HEAD #14x1-3/4	9	9					4
100	02542	SCREW HEX WASHER HEAD #10x1/2 SELF TAP							4
101	02054	SCREW HEX HEAD CAP 1/4-20x1-3/4							2
102	02055	SCREW HEX HEAD CAP 5/16-18x2							2
103	02150	WASHER 5/16			2	2	2	2	2
104	02130	NUT HX FIN 5/16-18			1	1	1	1	1
105	13043	THREADED ROD 1/2x35 HEAD SECTION						1	
106	18759	FRAME TOP AM134 PAINTED	1						
107	18318	FRAME TOP AM140 PAINTED		1					
108	14872	BD UPH 134 TOP 34x76	1						
109	14873	BD UPH 140 TOP 40x76		1					
110	02167	WASHER NYLON 5/8 ID							8
111	02076	SCREW PAN HD PHIL 6-32x1/2							2
112	12474	BAR 1/8x3x13.75 CTL BX MNT 368 PNTD							1

TABLE BASE
AM 234, 240, 334, 340



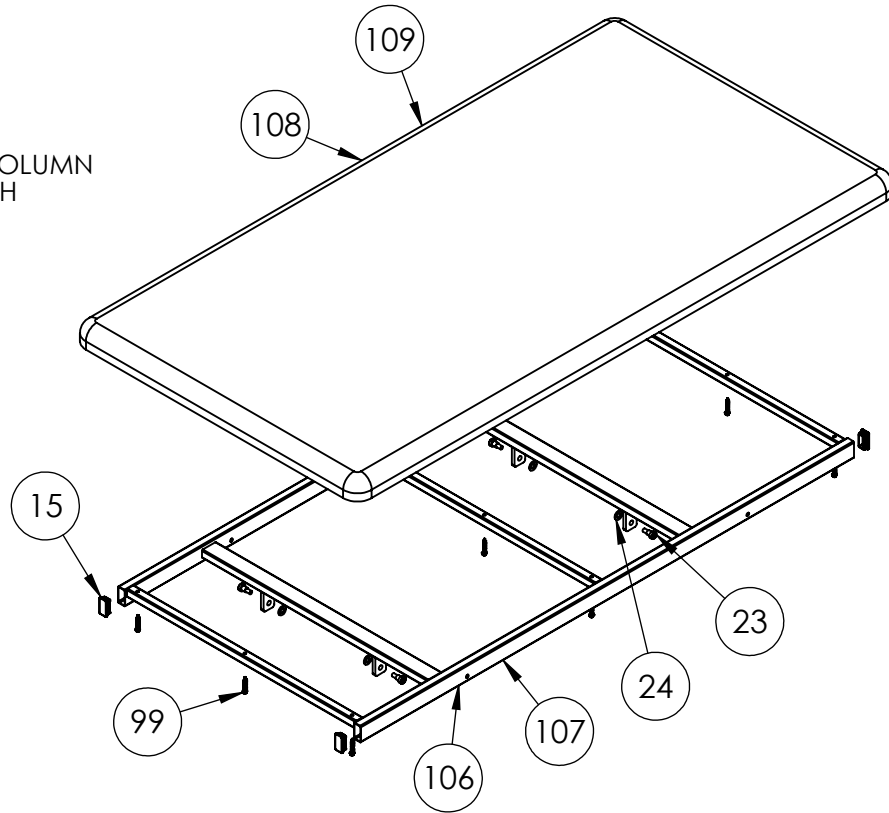
TOP FRAME
AM 134, 140

REFER TO MODEL NUMBER COLUMN
ON PARTS LIST FOR ITEMS WITH
TWO REFERENCE NUMBERS.

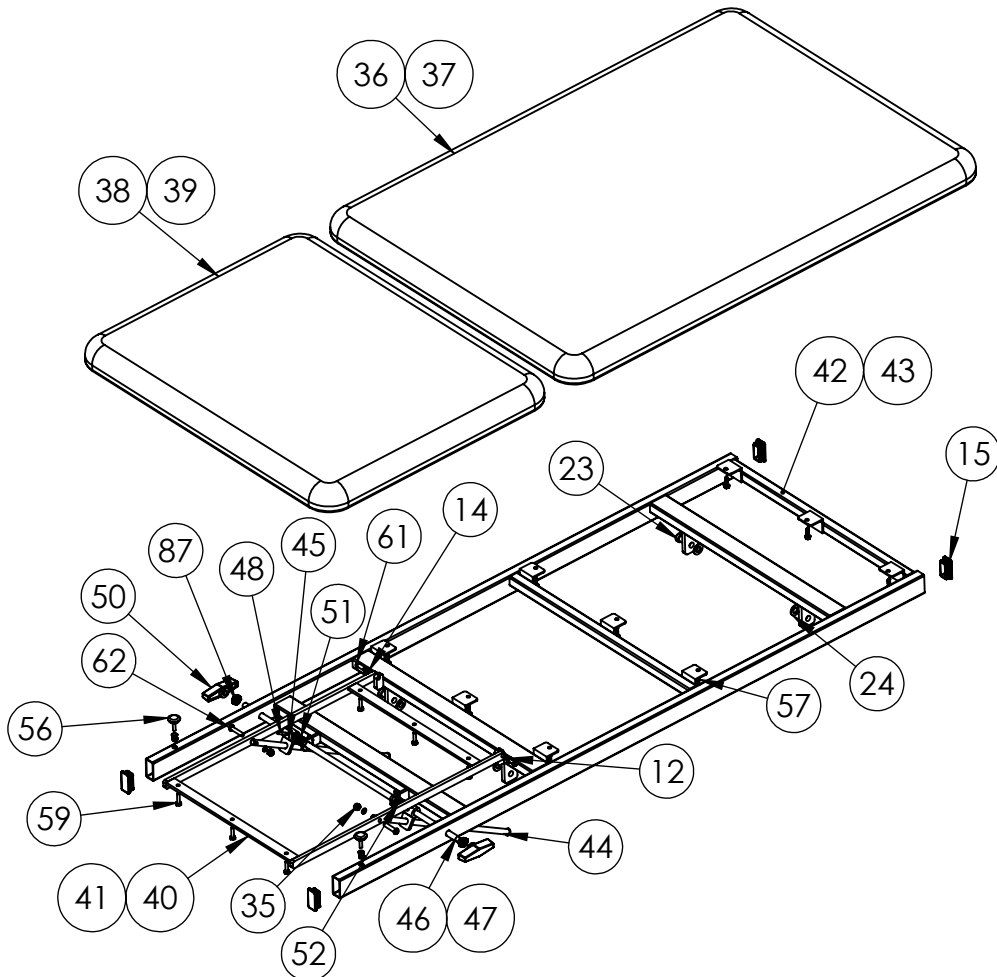
EXAMPLE:

ITEM NUMBER 108 IS
USED ON AM-134.

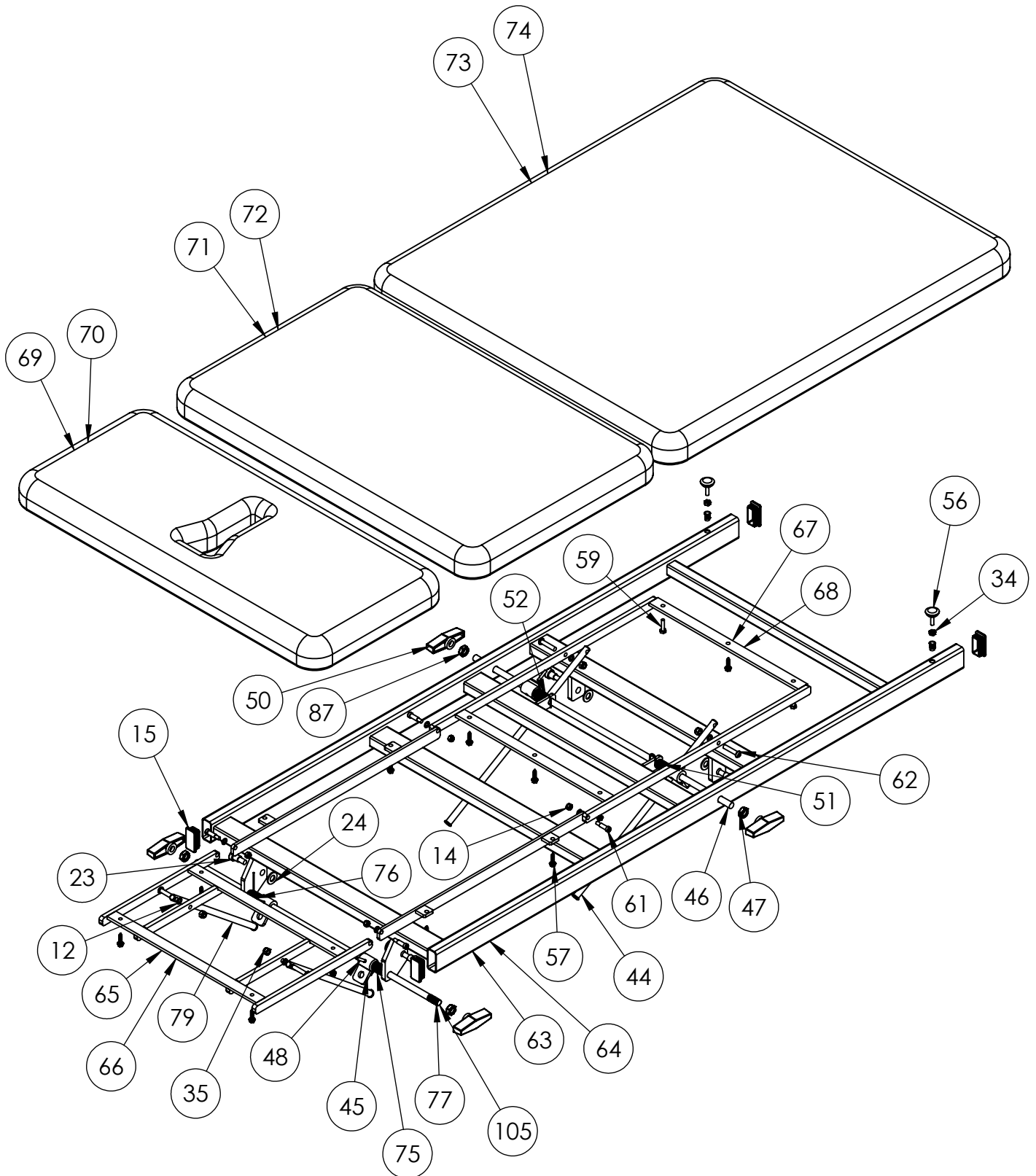
ITEM NUMBER 109 IS
USED ON AM-140



TOP FRAME
AM 234, 240

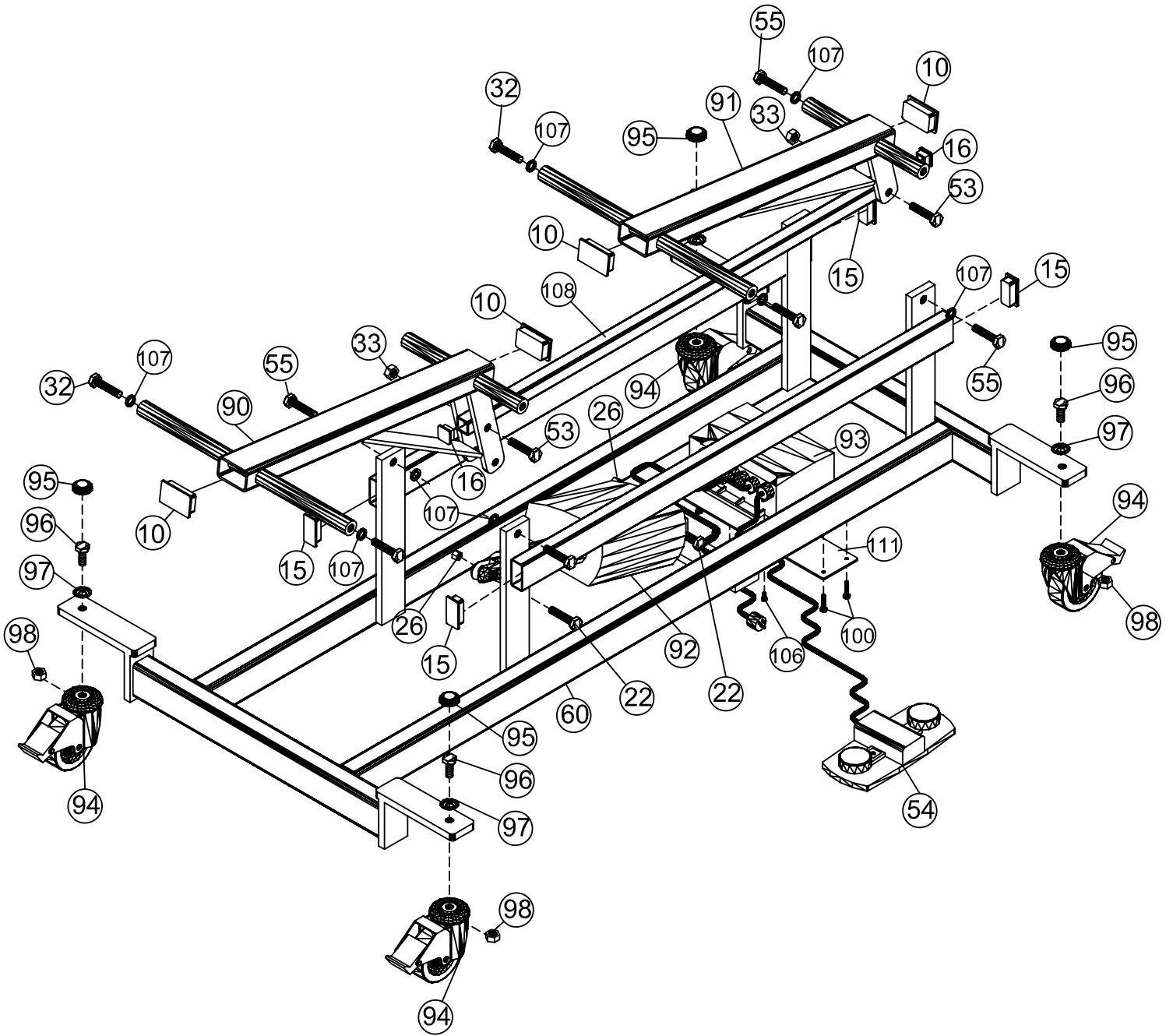


TOP FRAME
AM 334, 340

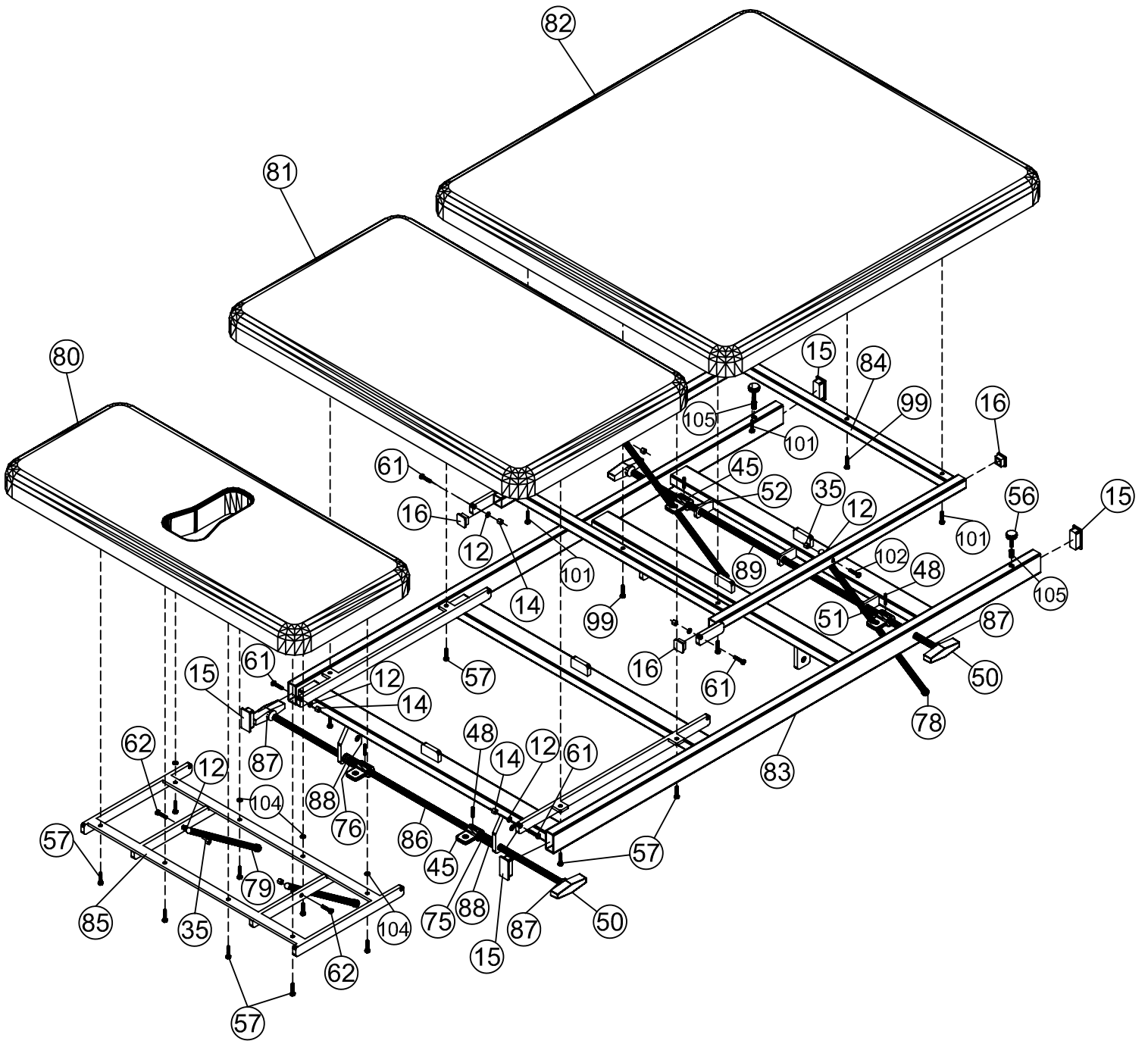


REFER TO MODEL NUMBER COLUMN ON PARTS LIST
FOR ITEMS WITH TWO REFERENCE NUMBERS.
EXAMPLE: ITEM NUMBER 73 IS USED ON AM-334.
ITEM NUMBER 74 IS USED ON AM-340.

TABLE BASE AM 368



TOP FRAME AM 368



**ARMEDICA™ MANUFACTURING CORP.
LIMITED WARRANTY**

ARMEDICA™ Manufacturing Corp. warrants that the AM Series treatment tables are free from defects in material and workmanship. This warranty shall remain in effect for 18 months from the date of original consumer purchase of the product. If the product fails to function during the warranty period due to a defect in material or workmanship, ARMEDICA™ Manufacturing Corp. or the selling Dealer will repair or replace the table without charge within a 30 day period from the date on which the table is returned to ARMEDICA™ Manufacturing Corp. or the selling Dealer.

THIS WARRANTY DOES NOT COVER

1. Replacement parts or labor furnished by anyone other than ARMEDICA™, Selling Dealer or approved ARMEDICA™ Service Agent.
2. Any failure of the table during the warranty period if the failure is not caused by a defect in material or workmanship or if the failure is caused by unreasonable use, including the failure to provide reasonable and necessary maintenance.

**ARMEDICA™ MANUFACTURING CORP. IS NOT LIABLE FOR INCIDENTAL
OR CONSEQUENTIAL DAMAGE TO PROPERTY OR BUSINESS.**

To obtain service under this warranty, please do the following:

1. A written claim should be sent to ARMEDICA™ Manufacturing Corp., P.O. Box 880, Greenwood, AR. 72936-0880 or the selling Dealer.
2. The table must be returned to ARMEDICA™ Manufacturing Corp. or the selling Dealer.
3. This warranty gives you specific legal rights and you may have other rights, which vary from state to state

ARMEDICA™ does not authorize any person or dealer to create for it any other obligations or liabilities in connection with the sale of the tables. Any representation or agreement not contained in this warranty shall be void.

