



www.max-ability.com

This manual has been prepared for the owners and operators of the ARMEDICA™ AM-SX Series Hi-Lo Treatment Tables, and contains installation instructions, precautionary instructions and maintenance procedures for the following model numbers:

**AM-SX and AM-BAX1000, 1060, 1072,
2000, 3000, 3500, 4000, 4500, 5000, 5400**



MAX-Ability, Inc.
info@max-ability.com
800 577-1555



ISO 13485
FM 50089

Made in the U.S.A

AM-SX SERIES HI-LO TREATMENT TABLES

Armedica Treatment Tables are intended to be used as physical therapy supports for patients during clinician attended physical therapy related diagnosis, treatment, and monitoring. The table is equipped with a vertical table height adjustment actuator and casters for mobile transport. Patients are not to be left unattended.

INSTALLATION

1. Remove all packaging material from the table.
2. There is no assembly required on the ARMEDICA™ AM-SX Series Treatment Tables.
3. Plug the power cord into a properly grounded 100-240VAC 50/60Hz outlet and follow the procedure outlined in the precautionary Instructions.
4. The tables are equipped with 4-total lock swivel casters for maximum stability.
5. The motors are equipped with a thermal cutout that protects them from overheating.

PRECAUTIONARY INSTRUCTIONS

1. Read, understand and practice the precautionary instructions in this manual. Be aware of the limitations and the hazards associated with the ARMEDICA™ Treatment Tables.
2. This equipment generates, uses and can radiate radio frequency energy and, if not installed and used in accordance with the instructions, may cause harmful interference to other devices in the vicinity. However, there is no guarantee that interference will not occur in any particular installation. If this equipment does cause harmful interference to other devices, which can be determined by turning the equipment off and on, the user is encouraged to try to correct the interference by one or more of the following measures:
 - Reorient or relocate the receiving device.
 - Increase the separation between the equipment.
 - Connect the equipment into an outlet on a circuit different from that to which the other device(s) are connected.
 - Consult the manufacturer or field service technician for assistance.
3. Always make certain all 4 casters are locked prior to patient use.
4. Always use both hands when changing the angle of any section of the table.
5. Never change the angle of any section, except motorized sections, when the patient's weight is on that section.
6. Never place your hands or feet nor the patient's hands or feet near any of the working mechanisms of the table when raising or lowering the table.
7. **Never leave patient unattended.**

OPERATING INSTRUCTIONS

To adjust the height of the ARMEDICA™ Treatment Tables, a low voltage foot switch or hand switch is used to activate the electric motor assembly. The up and down activators are clearly indicated by decals.

Duty cycle is Intermittent 1min.on/ 9min.off

TABLE SECTION ADJUSTMENTS

The sections of the ARMEDICA™ Treatment Tables are raised by lifting them with both hands. The locking mechanism holds them securely at any angle. To lower a section, hold it in one hand and release the locking mechanism by rotating the lever with the other.

The AM-SX 4000 is equipped with an automatic spring return.

CAUTION: When lowering any of the table sections, make certain that your hands cannot come in contact with the board supports.

CAUTION: When adjusting the non-motorized sections with the patient on the table, be sure that the patient's weight is not on the section you are going to adjust.

CAUTION: To adjust the arm rest on the 3-piece head section loosen knob while holding arm rest. Raise or lower the arm rest to the desired position and tighten knob.

CAUTION: Make sure that each armrest on the 3-piece head section is locked securely in position before the patient places any weight on it.

CAUTION: When locking the rolling section of the AM-SX 4000 in position, make sure the lock plunger is fully engaged in one of the slots.

MAINTENANCE

The ARMEDICA™ AM-SX Series Treatment Tables are equipped with a maintenance free electric motor. The moving parts of the table should have a drop of oil placed on them approximately every six months.

When lubricating the slide block track use a food grade grease.

Frequently check to make certain that all hardware (nuts, bolts, etc.) are properly adjusted and securely fastened.

In the event it becomes necessary to replace the foot switch, hand switch or the power cord, make certain that the plug is properly installed and the locking tabs on the motor snaps in place.

The vinyl cover should be cleaned with mild soap and water and the table frame wiped with a dry cloth to remove dust and lint when necessary.

SYMBOLS AND INDICATORS



Attention: Consult accompanying documents.



Type B Equipment: "An adequate degree of protection against electric shock is provided, particularly regarding leakage currents and reliability of the protective earth connection."



The grounding pin located on the power supply cable is for functional use only, and is present for EMI/ EMC purposes. The product is Class II equipment and does not rely on this grounding means for safety.

TROUBLESHOOTING

MOTOR DOESN'T WORK.

- A. Check to see if motor is plugged into electrical outlet, and the power cord is properly plugged into the motor.
- B. Make sure the electrical outlet has power.
- C. Check hand switch or foot switch to be sure it is plugged in correctly.
- D. Thermal cutout may have activated. Allow the motor to cool.
- E. In the event there is a failure of the motor, the motor must be returned to Armedica Mfg. Corp. The motor must be serviced by the manufacturer. Contact Armedica Mfg. Corp. prior to returning any parts or products to obtain return authorization.

MOTOR SPECIFICATIONS

Magnetic Corp., Olney, Illinois 62450
Model MAX 72-A200415A1001-000.
Rated Voltage and Frequency.
100-240Vac, 50-60Hz. w/24VDC output
Current 3.2A/1.6A

Model MAX 74-A200415A1001-000.
Rated Voltage and Frequency.
100-240Vac, 50-60Hz
Current 3.2A/1.6A
UL CORD SET 140-355
Duty cycle: on/off Int. 1 min. / 9 min.

Transport and storage

Ambient temperature: 0°– 40° C
Relative humidity: 5% - 85%, including condensation
Atmospheric pressure: 700hPa to 1060hPa

Lumbar section (AM-SX3000 & AM-SX5000 models)

Magnetic Corp., Olney, Illinois 62450
Model MAX 30-B050265A10M0-000
Rated Voltage and Frequency 24Vdc 60HZ
Current 5A
Duty cycle: on/off Int. 1 min. / 9 min.

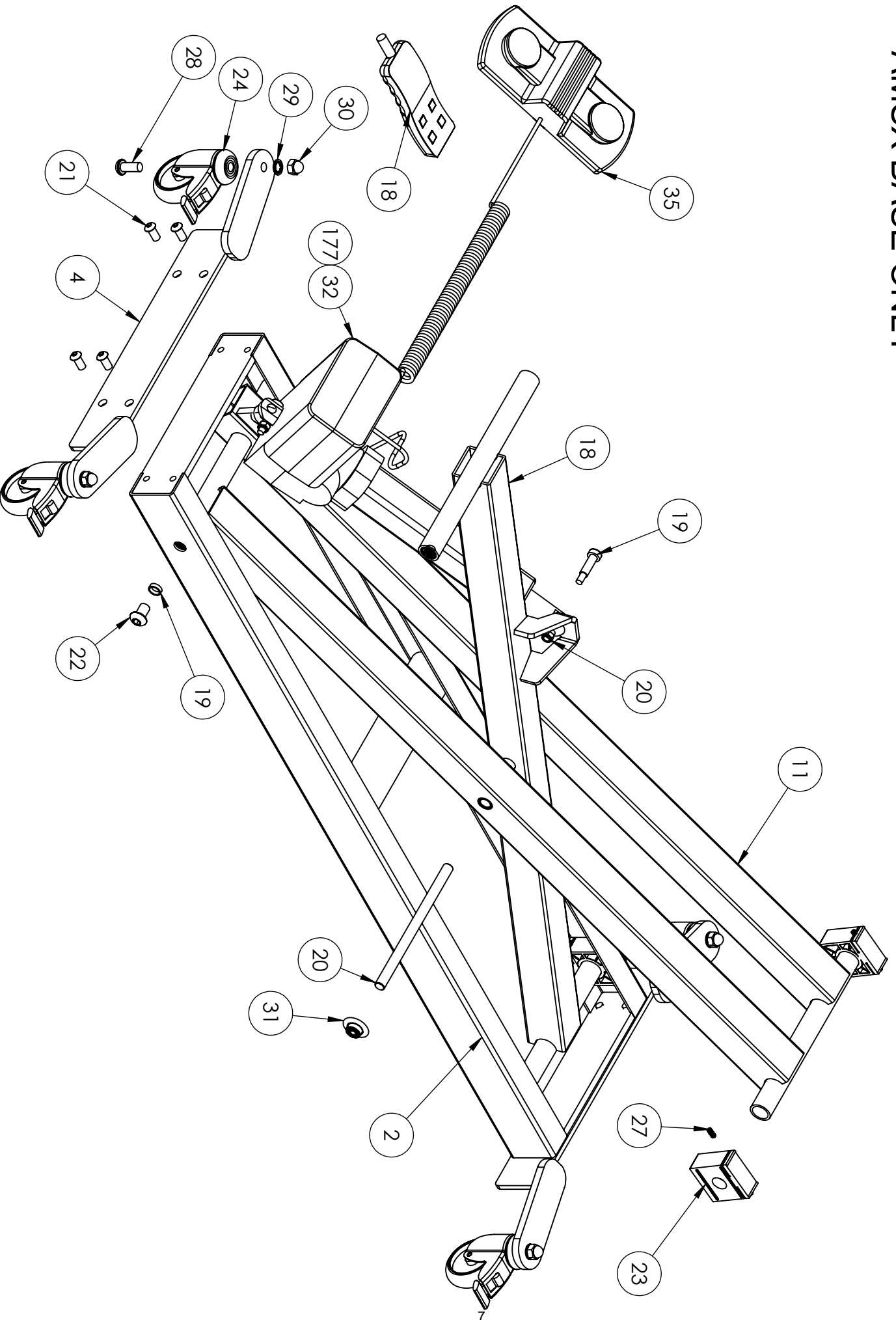
PARTS LIST								
ITEM NO.	PART NO.	DESCRIPTION	QUANTITY					
			1000	1060	2000	3000	3500	4000
				1072		5000	5400	4500
1	18856	BASE FRAME SX PNTD	1	1	1	1	1	1
2	18862	SX CASTER LEG ASSY W/HOLES PNTD	2	2	2	2	2	2
3	18875	ARM SX-BA DUAL LIFT PNTD	1	1	1	1	1	1
4	18776	ARM AM-SX PWR SINGLE LIFT UNPNTD	1	1	1	1	1	1
5	13879	BUSH SX BRZ .5015x.628x1/4" OILITE	4	4	4	4	4	4
6	13855	ROD SX 1/2x8-1/8 X PIVOT PLTD	1	1	1	1	1	1
7	02176	SCREW BTN HD SOC 3/8-16X3/4	8	8	8	8	8	8
8	02198	SCREW BTN HD SOC 1/2-13x3/4	4	4	4	4	4	4
9	02340	SX SLIDE BLOCK PLAS	4	4	4	6	4	4
10	03072	CASTER SWIVEL LOK TENTE	4	4	4	4	4	4
11	02715	SCREW SET #12-24x1/2 SOC HD	8	8	8	8	8	8
12	02665	SCREW BTN HD SOC 7/16-14x1	4	4	4	4	4	4
13	02663	WASHER LOC 7/16" INTERNAL TOOTH PLT	4	4	4	4	4	4
14	02664	NUT ACORN 7/16-14 NICKEL PLATED	4	4	4	4	4	4
15	02196	CAP AXEL NUT STYLE 1/2"	2	2	2	2	2	6
16	03595	MOTOR MAX74 8KN 120-240VAC	1	1	1		1	1
17	03106	SWITCH FT MAX74 8000N	1	1	1		1	1
18	03113	SWITCH HAND MAX65 (OPTIONAL)						
19	02012	BOLT SHLDR M10x30	2	2	2	4	2	2
20	02092	NUT NYLOCK M8-1.25 HEAVY	2	2	2	4	2	2
21	18770	BASE FRAME SX-BA PNTD(BA option only)	1	1	1	1	1	1
22	18772	BAR FT SWITCH SX-BA BASE PNTD	2	2	2	2	2	2
23	02646	BOLT SHLDR 1/2x1-1/4	2	2	2	2	2	2
24	02645	BOLT SHLDR 1/2x1	2	2	2	2	2	2
25	19020	PLATE FRMD SWITCH MNT ASSEMBLED	1	1	1	1	1	1
26	02252	SCREW PAN HD PHIL 10-24x1/2	2	2	2	2	2	2
27	02207	WASHER SEALED #10x1/2 GALV STEEL	2	2	2	2	2	2
28	03192	STRAIN RELIEF FT RAIL SWTCH COVER	1	1	1	1	1	1
29	02265	SHT MTL AM-BA SIDE SHIELD PNTD	2	2	2	2	2	2
30	02647	SPACER PLAS .251 ODx.152 IDx.156	8	8	8	8	8	8
31	03191	SWITCH LIMIT ROLLER FT RAIL E13-00K	4	4	4	4	4	4
32	02077	NUT NYLOCK 6-32	4	4	4	4	4	4
33	02528	SPACER PLAS .775 ODx.515 IDx.250 RL	4	4	4	4	4	4
34	03263	TERMINAL BLOCK 12 POLE 22-10GA 350V	1	1	1	1	1	1
35	02076	SCREW PAN HD PHIL 6-32x1/2	1	1	1	1	1	1
36	02165	WASHER NYLON .518 IDx1"ODx.08	2	2	2	2	2	3
37	02100	NUT NYLOCK 1/4-20	2	2	2	2	2	14
38	02140	WASHER 1/4	2	2	2	2	2	6
39	02538	SCREW BTN HD SOC 1/4-20x3/4	2	2	2	2	2	2
40	03429	SPRING COMPRSSN 3/4x1-5/8 ZINC PLTD	2	2	2	2	2	2
41	02657	PLUG RD 1"ODx14-20 GA BLK	4	4	4	4	4	4
42	02662	SPACER PLAS .620 ODx .504 IDx 13/16	2	2	2	2	2	2
43	02312	FRM SX TOP 1 PC PNTD	1					
44	14823	BD UPH SX100 27X76 W/FACE HOLE	1					
45	14855	BD UPH AMSX CHANGING TABLE 25x60		1				
46	14851	BD UPH SX CHNG TBL 25x72		1				
47	02045	SCREW HX HD CAP 1/4-20x1	8	8	12	14	16	26
48	02310	FRM SX3500 11GA TOP PNTD			1		1	
49	02308	FRM SX HD SHT MTL PNTD			1	1	1	1
50	18877	ROD SX 1/2"RDx8 HD SEC SPPT PLTD			2	2	2	2
51	13867	ROD SX 1/2x15-1/8 HD PVT SPPT PLTD			1	1	1	1
52	03040	SPRING TORSION LESS BEND LEFT			1	2	2	1
53	03030	SPRING TORSION LESS BEND RIGHT			1	2	2	1

PARTS LIST								
ITEM NO.	PART NO.	DESCRIPTION	QUANTITY					
			1000	1060	2000	3000	3500	4000
				1072		5000	5400	4500
54	13865	TUBE SXDT 3/4x6 LOCK SLEEVE PLT			1	1	1	2
55	02553	BUSH PLAS FLNG .687ODx.510 ID			2	4	4	4
56	02196	CAP AXEL NUT STYLE 1/2"			4	6	4	
57	13877	ROD SX 1/2x13.5 HD SEC PVT PLTD			1	1	1	1
58	02534	PIN SPRING 3/16x3/4			2	2	4	4
59	13946	ROD 1/2x11-13/16 BNT SX LK PLTD			2	2	2	2
60	03464	CAP PLAS TUBE BLK .500x3			2	2	4	2
61	02543	PIN SPRING 3/16x1-1/2			2	2	4	2
62	02165	WASHER NYLON .518 IDx1"ODx.08			2	2		2
63	18787	BRKT LOCK SX 3PC HD SUPPT PLTD			2	2	2	2
64	02170	PIN SPRING 3/16x1			2			2
65	02339	SX LOCK TAB			2	2	4	
66	02036	SCREW BTN HD SOC 1/4-20x3/8 S.S.			2	2	4	4
67	14826	BD UPH 200 BODY 27"			1			
68	14835	BD UPH SX HD 27" WIDE			1	1	1	1
69	18866	SX MID LIFT FRAME ASSY PNTD			1			
70	18869	FRAME SX3000 MID LIFT FOOT PNTD			1			
71	18900	ARM MIDLIFT CNTR WELDED PNTD			1			
72	18902	HINGE MIDLIFT FT BD PLTD			1			
73	03154	MOTOR MAX30 4000Nx50MM 24VDC				1		
74	13884	ROD 1/2x20-1/4 SXML TOP PIVOT PLTD				1		
75	13026	ROD 1/2x23 THD'D FT SEC LK PLATED				1		
76	13871	ROD SX FT SPPT W/BEND PLTD				2	2	2
77	18127	BRKT LOCK SUPPORT PLATED				2		
78	28354	SX FT SEC SPPT PVT PLTD				2	2	2
79	02135	NUT HX FIN JAM 1/2-13				2		2
80	03070	KNOB WING 1/2X13 ID				2		2
81	14836	BD UPH SX 3000 CTR 27" WIDE				1		
82	14837	BD UPH SX 3000/5000 FOOT 27" WIDE				1		
83	02037	SCREW BTN HD SOC 1/4-20x1				4	4	4
84	03038	SWITCH CONTROL MNTD PWR MAT				2		
85	18854	HANDL LOC BAR BENT AMSX DRIL PLT					2	
86	02503	RETAINER RING 1/2 EXTERNAL				2	2	6
87	02063	SCREW HX WASHER HD #10x3/4					4	4
88	02327	HINGE BENT 2.5x4					2	2
89	14711	BD UPH SX 3500 CTR 27" WIDE					1	
90	14713	BD UPH SX 3500 FT 27" WIDE					1	
91	02318	FRM SX TOP TRACTION PNTD						1
92	18851	FRM SX ROLLER W/CHANNEL PNTD						1
93	12743	BAR SX 1/8x1.5x7-5/8 TX ELBOW PNTD						2
94	13869	ROD SX 1/2x14.563 TX RLLR AXLE PLTD						2
95	02330	WHEEL SX TRACTION ROLLER FRM						4
96	18879	ROD SXDT THD'D FT LOCK BAR PLTD						2
97	02060	SCREW FLT HD PHIL 1/4-20x1/2						6
98	02332	ANGLE SX RLLR FRM LOCK MNT PNTD						1
99	13875	BAR SX 5/16HXx23-7/8 RLLR LOCK PLTD						1
100	02501	SCREW PAN HD PHIL 10-32x1/2						4
101	03029	LATCH SOUTHCO						1
102	02089	NUT NYLOCK 10-32						4
103	02185	SCREW FLT HD PHIL 1/4-20x2						2
104	03084	NUT ROUND FLANGED 1/4-20x7/8 BARREL						2
105	02120	NUT HX FIN 1/4-20						4
106	03027	SPRING EXTNSN DECOMP .490x8x.060						2

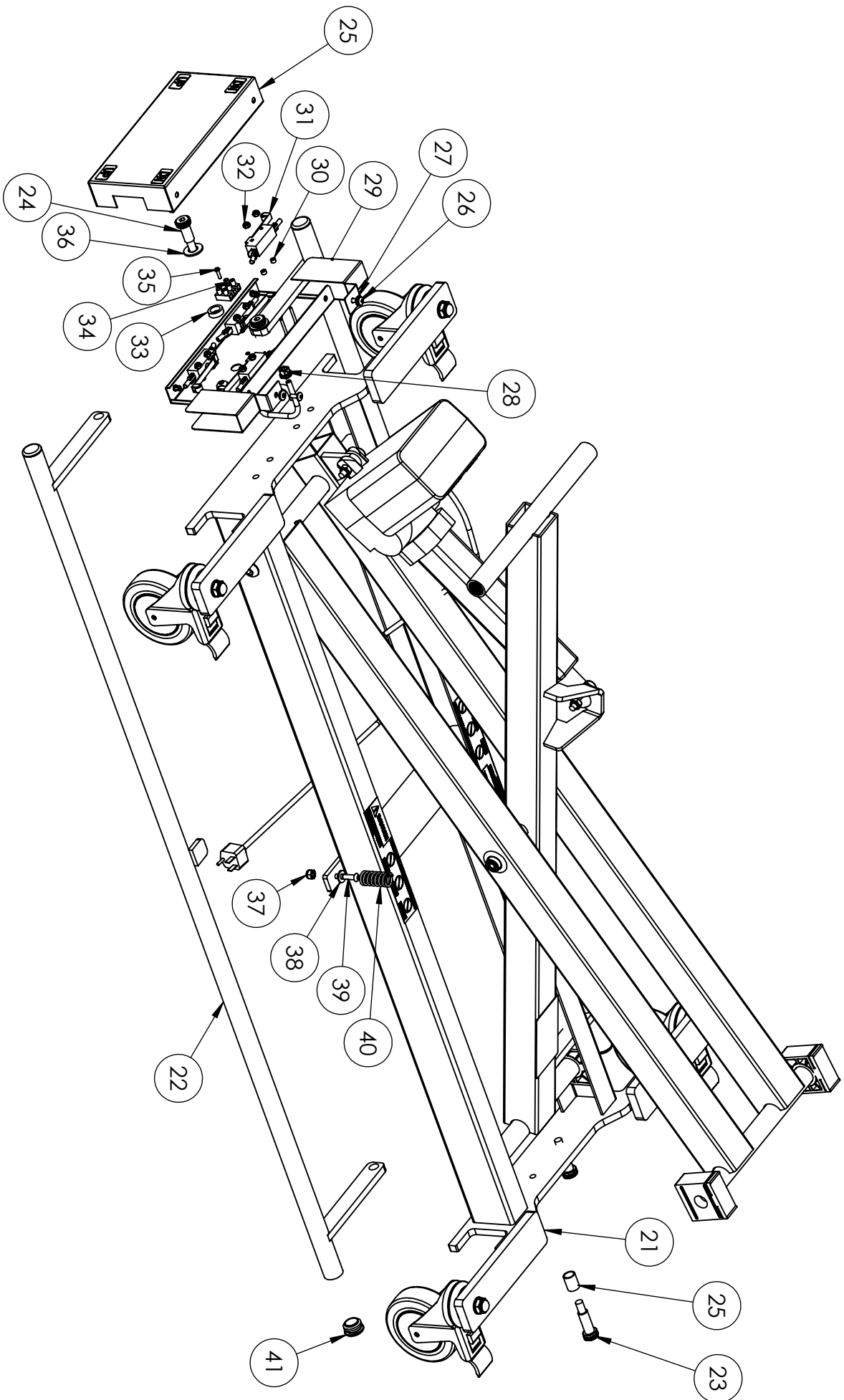
PARTS LIST								
ITEM NO.	PART NO.	DESCRIPTION	QUANTITY					
			1000	1060	2000	3000	3500	4000
				1072		5000	5400	4500
107	02073	SCREW FLT HD PHIL 1/4-20x1-1/2						2
108	14840	BD UPH SX4000 18x27 THORACIC						1
109	14841	BD UPH SX4000 13x27 LUMBAR						1
110	14842	BD UPH SX4000 27x31 FOOT						1
111	03125	KNOB "T" SPRNG LOAD PULL PIN 1/4DIA						3
112	02111	NUT HX FIN JAM 5/16-18						2
113	28038	BRKT MACH STND MNT SX PNTD						1
114	12751	PLATE SX 1/8x6-1/2 STND LOCK PLTD						1
115	02050	SCREW HX HD CAP 5/16-18x1-3/4						2
116	02162	SPACER PLAS .33 IDx.565 ODx.56						2
117	02105	NUT NYLOCK 5/16-18						2
118	03008	PLUG 1x1-1/2						6
119	18494	STAND MACHINE PIVOT BA PAINTED						1
120	03015	PLUG 1x2x14GA						1
121	02090	NUT NYLOCK 1/2-13						1
122	14508	BD PLY 400 ADAPT FORMICA 3/4x10						1
OPTIONAL ACCESSORIES AVAILABLE ON SOME MODELS								
SIDE RAILS								
123	18991	FRAME SX SIDE RAIL LEFT PNTD	1	1	1			
124	18993	FRAME SX SIDE RAIL RIGHT PNTD	1	1	1			
125	18995	BRKT SIDE RAIL PIVOT MNT LR PNTD	1	1	1			
126	18980	BRKT SIDE RAIL PIVOT MOUNT RR PNTD	1	1	1			
127	18998	BRKT SIDE RAIL PVT LOCK MNT LF PNTD	1	1	1			
128	18982	BRKT SIDE RAIL PVT LOCK MNT RF PNTD	1	1	1			
129	14859	BD UPH SX CHNG TBL SIDE RAIL	2	2	2			
130	02037	SCREW BTN HD SOC 1/4-20x1	4	4	4			
131	02045	SCREW HX HD CAP 1/4-20x1	8	8	8			
132	02104	WASHER 1/4" INTERNAL TOOTH LOCK	4	4	4			
133	02657	PLUG RD 1"ODx14-20 GA BLK	4	4	4			
134	02190	WASHER FENDER 1/4IDx1-1/4OD	2	2	2			
135	02036	SCREW BTN HD SOC 1/4-20x3/8 S.S.	2	2	2			
136	03126	KNOB SPRNG LOAD PULL PIN 3/8 DIA	2	2	2			
3-PIECE HEAD SECTION								
137	02553	BUSH PLAS FLNG .687ODx.510 ID				2	2	2
138	03464	CAP PLAS TUBE BLK .500x3				2	2	2
139	13910	BAR RD 1/2x11-13/16 SX 3PC HD PLTD				2	2	2
140	18783	BAR RD 1/2x11-13/16 SX 3PC HD PLTD				1	1	1
141	12300	BAR 1/4x1x1 AM100 RAIL SPCR UNPLTD				6	6	6
142	03010	PLUG 1x1x14GA				4	4	4
143	18779	BRKT ARM REST RIGHT PNTD				1	1	1
144	18787	BRKT LOCK SX 3PC HD SUPPT PLTD				2	2	2
145	02339	SX LOCK TAB				2	2	2
146	02036	SCREW BTN HD SOC 1/4-20x3/8 S.S.				2	2	2
147	03167	KNOB 5/16-18 1/2" L BLACK 1 3/4"				2	2	2
148	02196	CAP AXEL NUT STYLE 1/2"				2	2	2
149	18877	ROD SX 1/2"RDx8 HD SEC SPPT PLTD				2	2	2
150	02165	WASHER NYLON .518 IDx1"ODx.08				2	2	2
151	13908	BAR RD 1/2x12 SX 3PC HD PLTD				1	1	1

PARTS LIST								
ITEM NO.	PART NO.	DESCRIPTION	QUANTITY					
			1000	1060	2000	3000	3500	4000
				1072		5000	5400	4500
OPTIONAL ACCESSORIES AVAILABLE ON SOME MODELS								
3-PIECE HEAD SECTION								
152	18785	FRAME SX 3 PC HD SEC PNTD				1	1	1
153	18781	BRKT ARM REST LEFT PNTD				1	1	1
154	14774	BD UPH SX 3 SEC ARM				2	2	2
155	14773	BD UPH SX 3 SEC HD				1	1	1
5400 CRESENT HEAD SECTION								
156	02553	BUSH PLAS FLNG .687ODx.510 ID				2	2	2
157	13910	BAR RD 1/2x11-13/16 SX 3PC HD PLTD				2	2	2
158	13894	BAR RD 1/2 DIAx7-1/4 SX 3PC HD PLTD				1	1	1
159	18944	TUBE LOCKING SX 3PC HD PLTD				1	1	1
160	18898	TUBE LOCK SPPT SX 2PC HD PLTD				1	1	1
161	18951	FRAME SX 2PC HEAD SECTION PNTD				1	1	1
162	03464	CAP PLAS TUBE BLK .500x3				2	2	2
163	02165	WASHER NYLON .518 IDx1"ODx.08				2	2	2
164	03040	SPRING TORSION LESS BEND LEFT				1	1	1
165	02196	CAP AXEL NUT STYLE 1/2"				4	4	4
166	02534	PIN SPRING 3/16x3/4				2	2	2
167	02548	KNOB W/STEM 1/4-20x1				2	2	2
168	02045	SCREW HX HD CAP 1/4-20x1				4	4	4
169	14767	BD UPH SX CRESCENT ARM REST				1	1	1
170	14762	BD UPH SX HD 3 PC				1	1	1
BAR ACTIVATION BOX								
171	02478	PLATE FORMED SWITCH MOUNT 9-3/8	1	1	1	1	1	1
172	03190	TERM INSUL NYLON FEMALE 22-18GA .25	8	8	8	8	8	8
173	03283	CABLE MAX65 FT BAR CONTROL 2.55M	1	1	1	1	1	1
174	02475	PLT COVER FORMED 1-3/8x4-1/2x9-1/2	1	1	1	1	1	1
175	02265	SHT MTL AM-BA SIDE SHIELD PNTD	2	2	2	2	2	2
176	03193	RIVET PLAS PUSH FT RAIL COVER BLK	2	2	2	2	2	2
MID-LIFT MOTOR								
177	03596	MOTOR MAX72 8KN 120-240VAC W/OUTPUT				1		

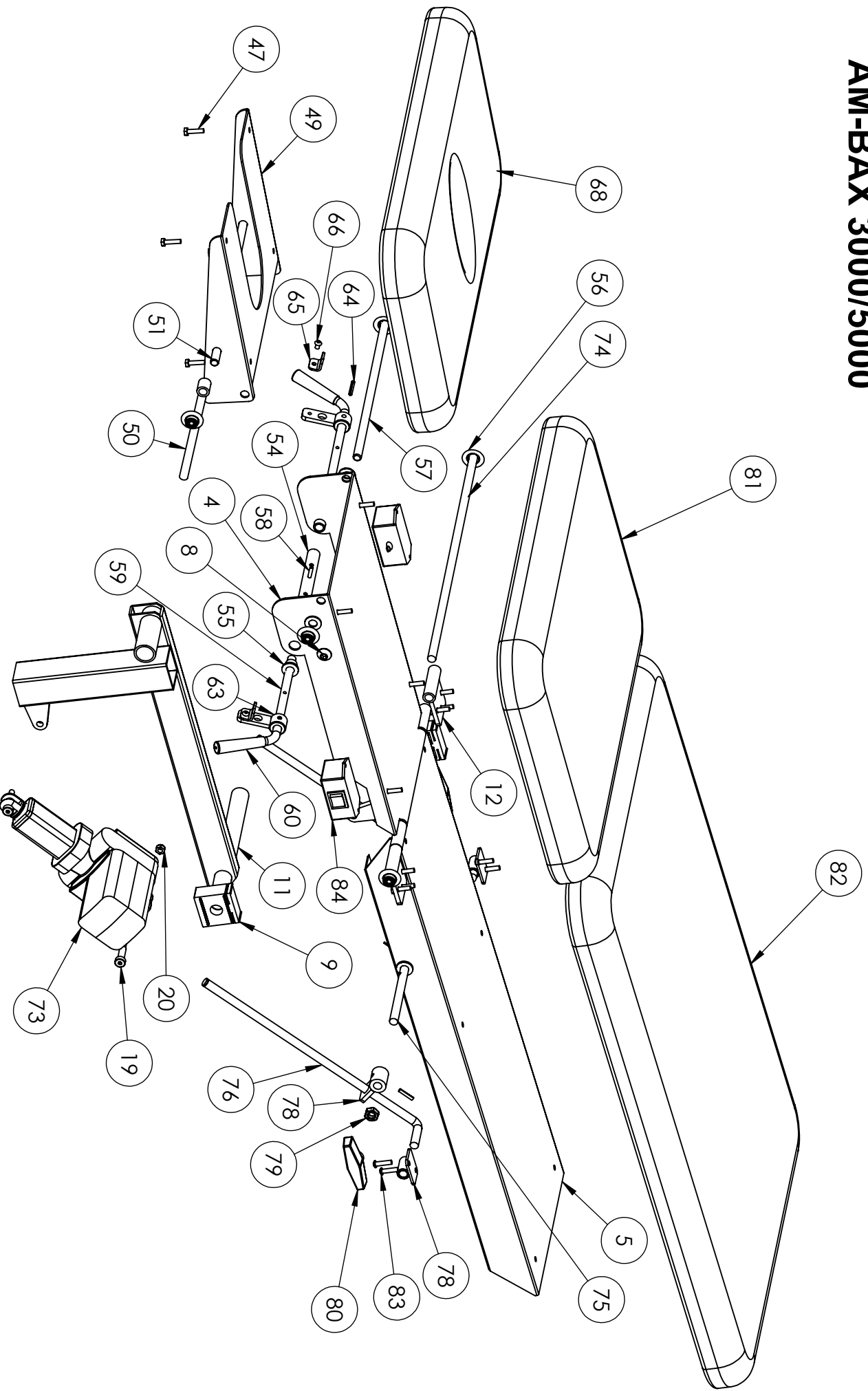
AMSX BASE ONLY



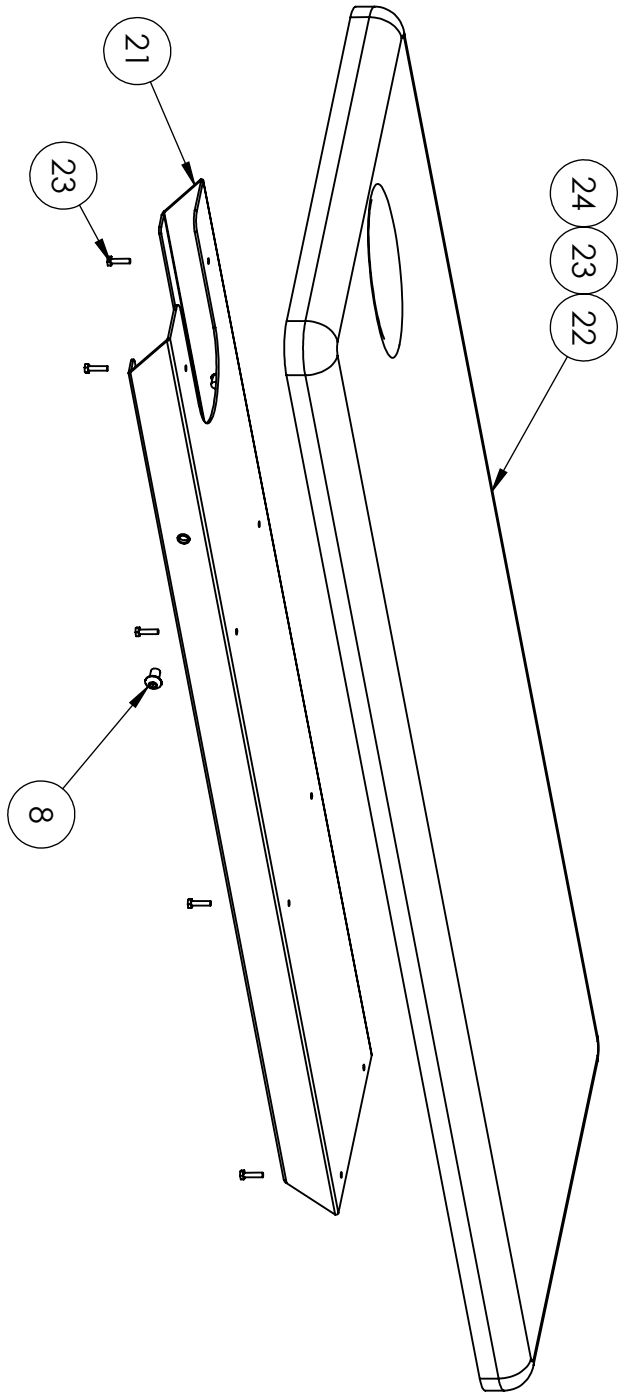
AM-BAX BASE BAR ACTIVATION OPTION



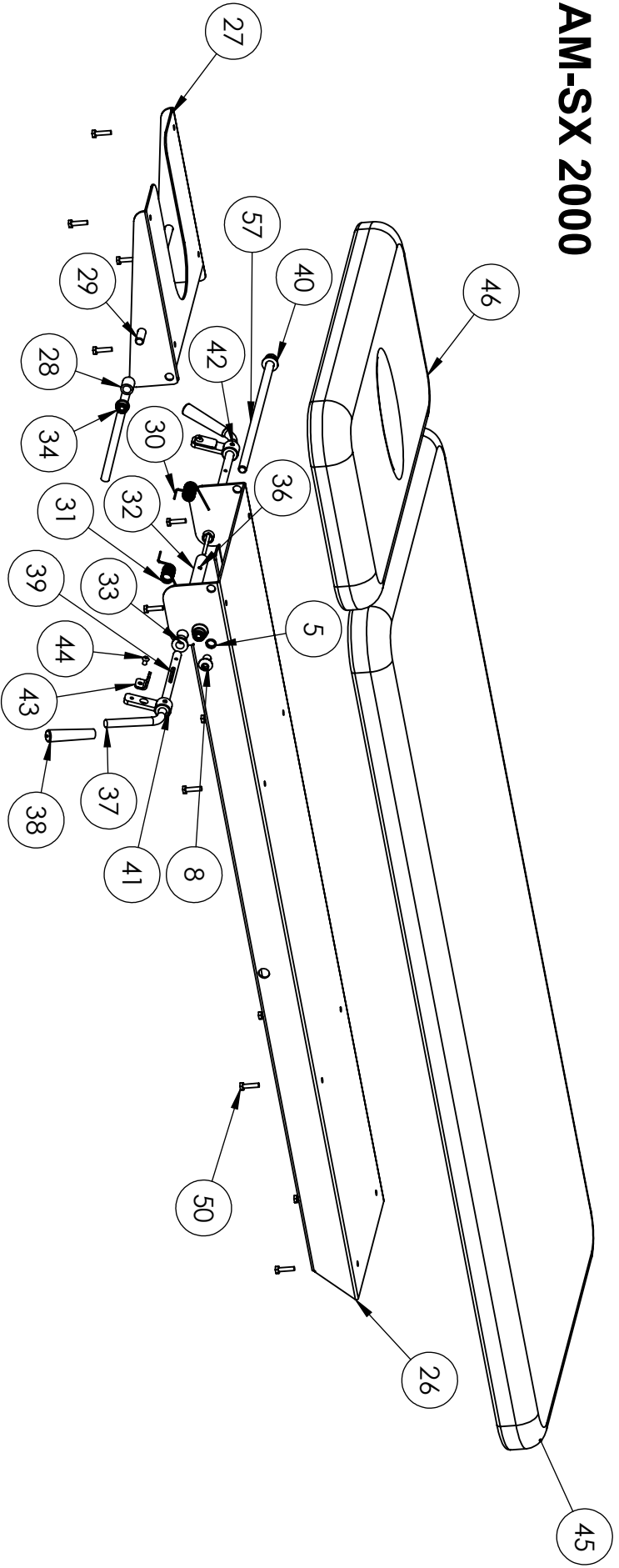
AM-SX 3000/5000
AM-BAX 3000/5000



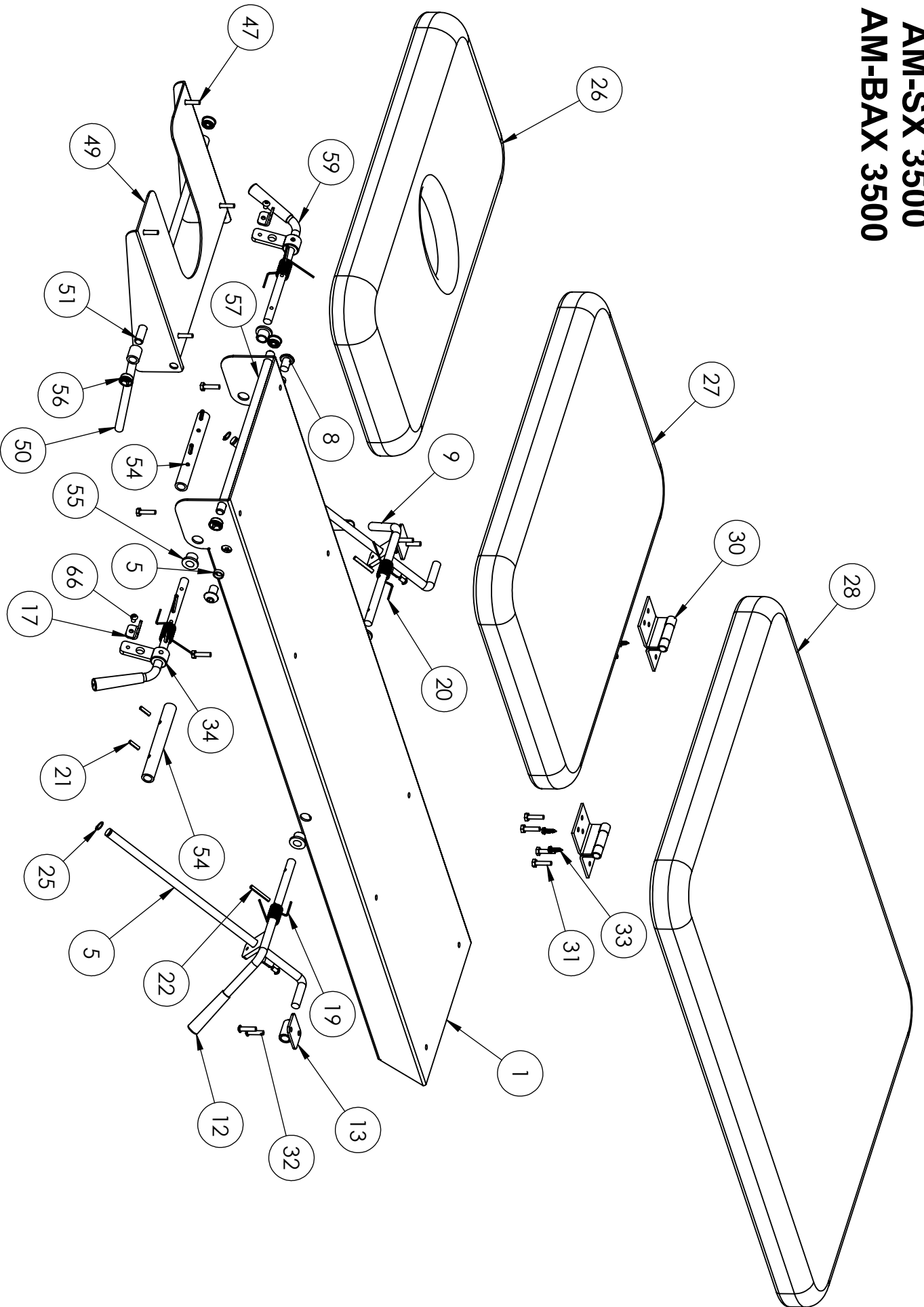
AM-SX 1000
AM-SX 1060
AM-SX 1072

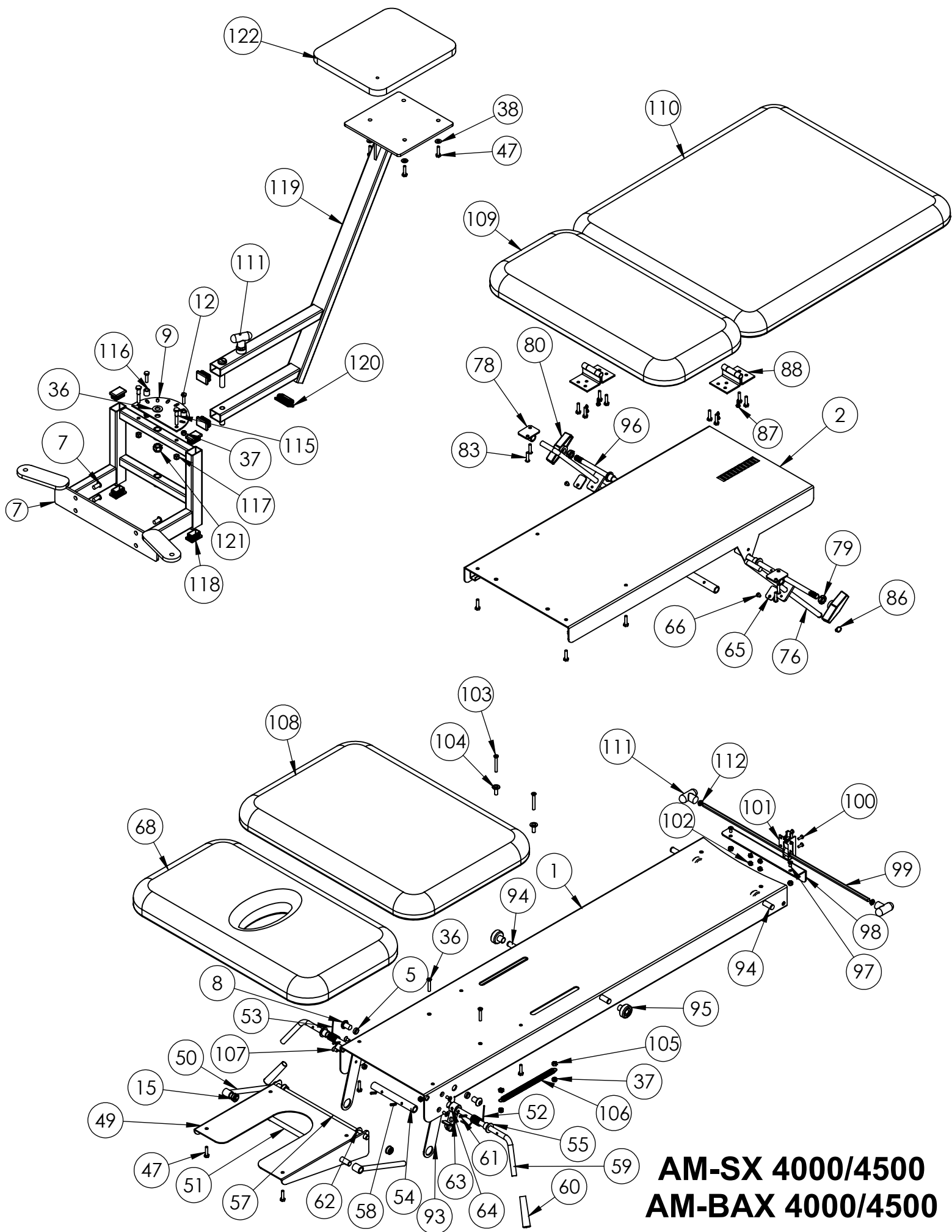


AM-SX 2000



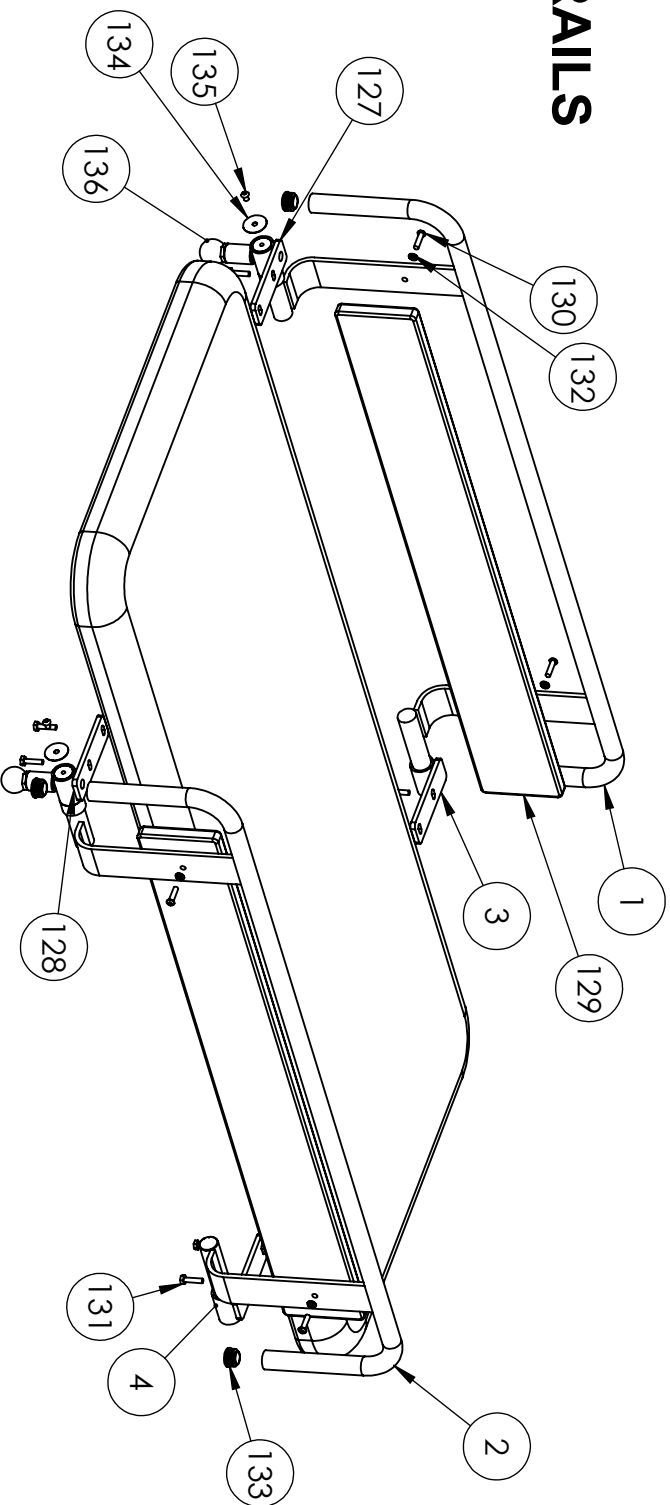
**AM-SX 3500
AM-BAX 3500**



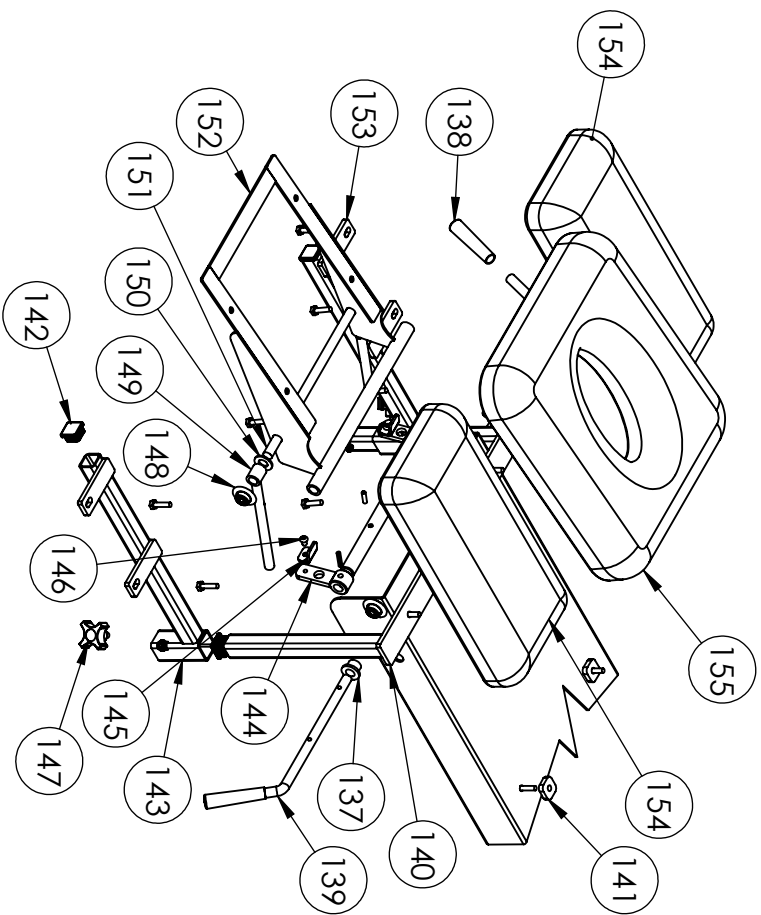


AM-SX 4000/4500
AM-BAX 4000/4500

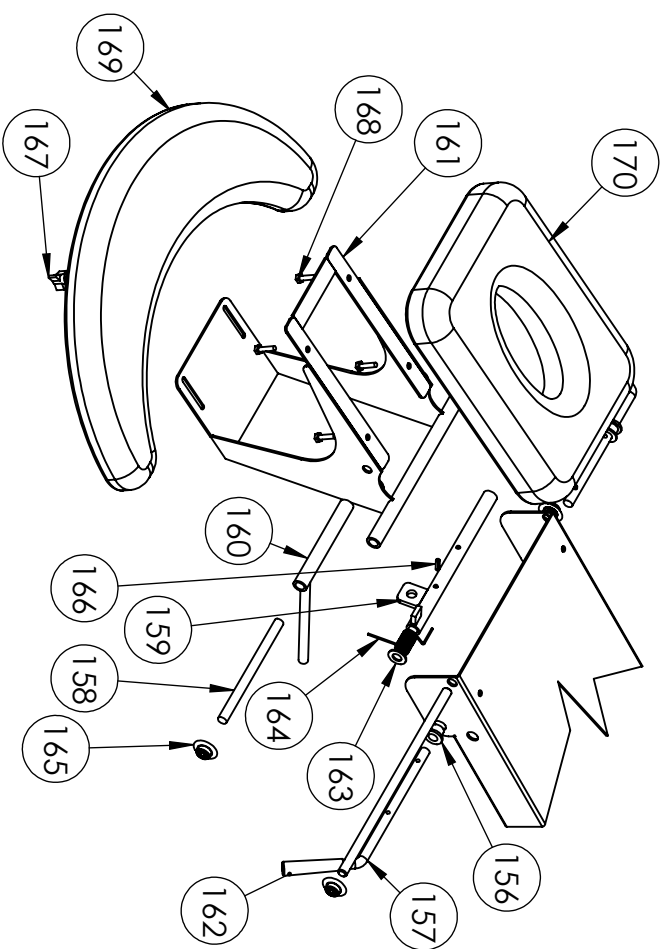
GUARD RAILS



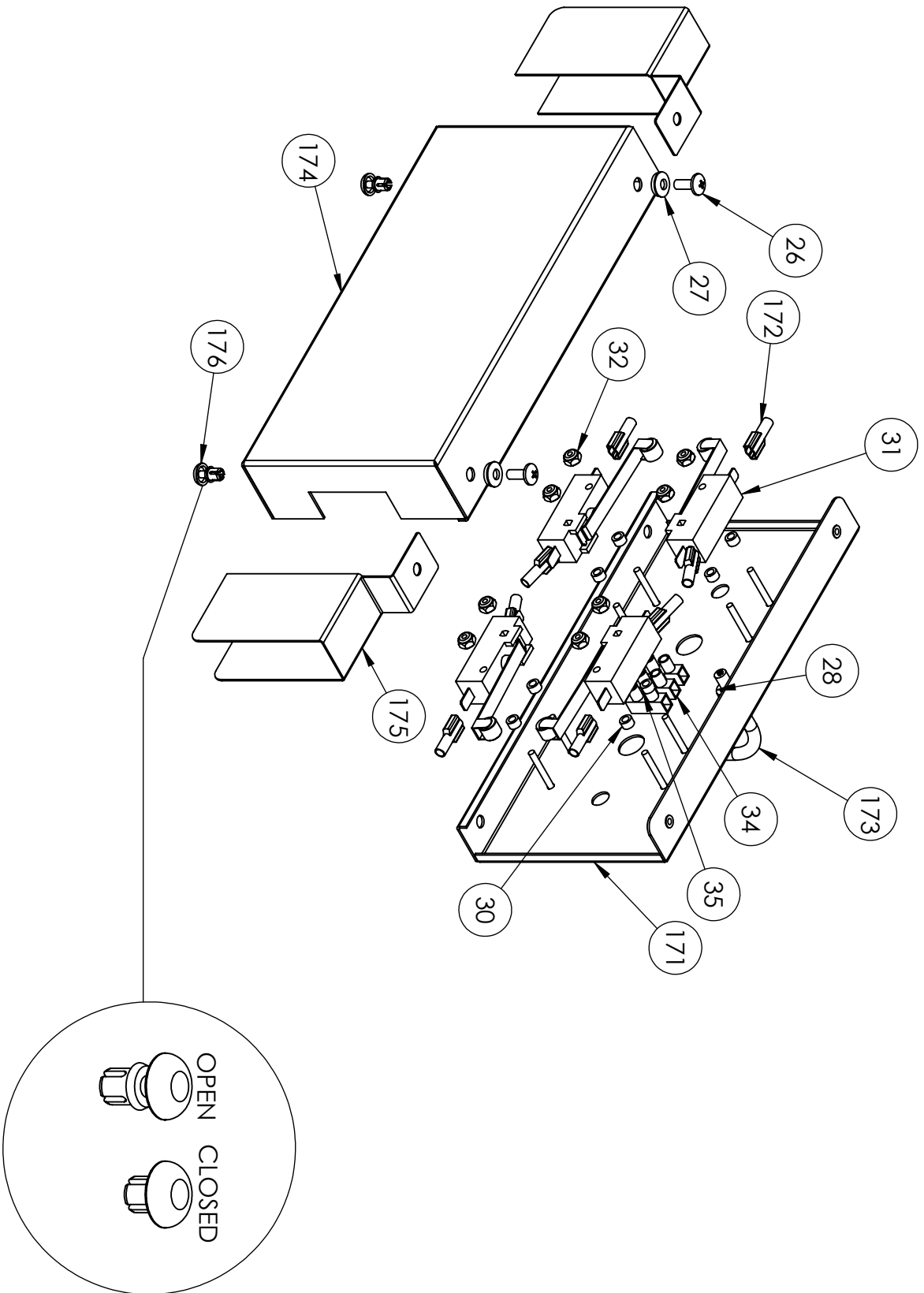
3-PIECE HEAD SECTION



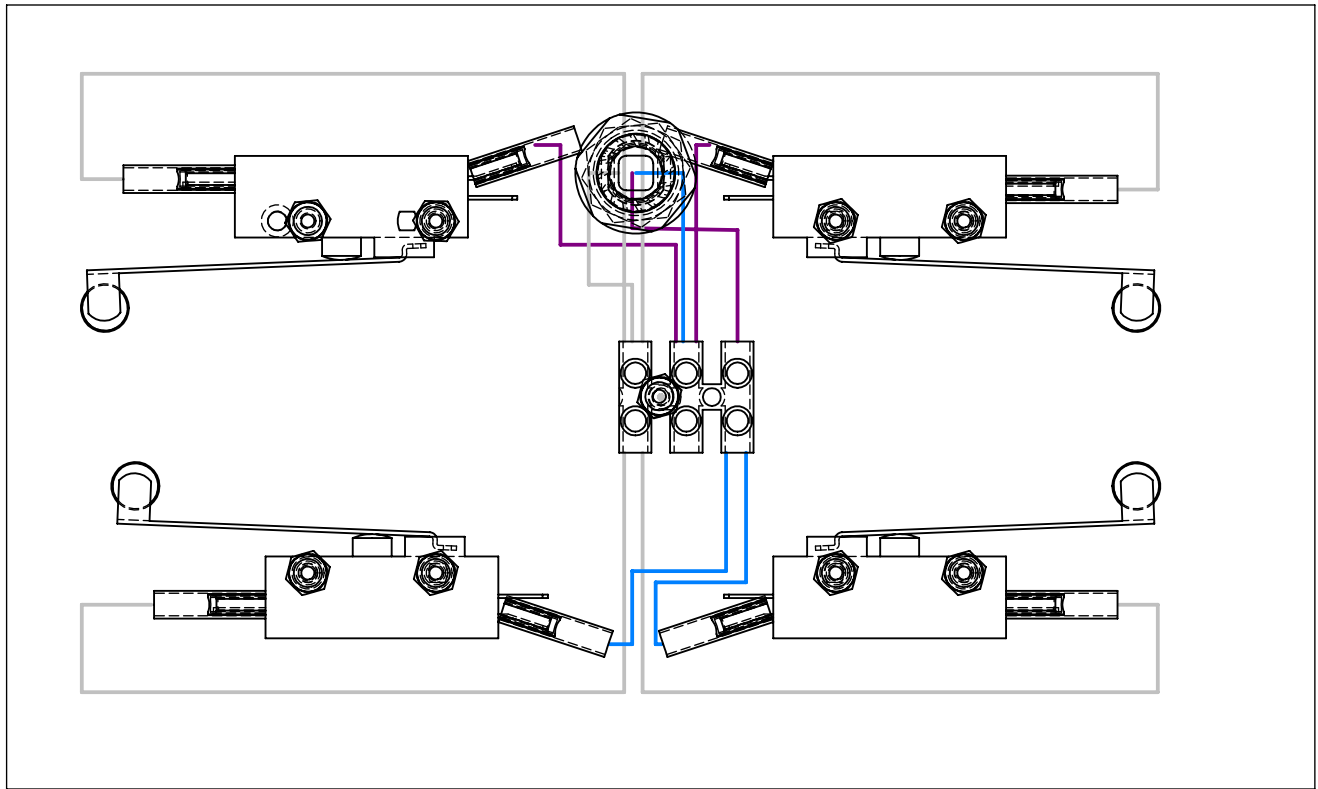
5400 CRESENT HEAD SECTION



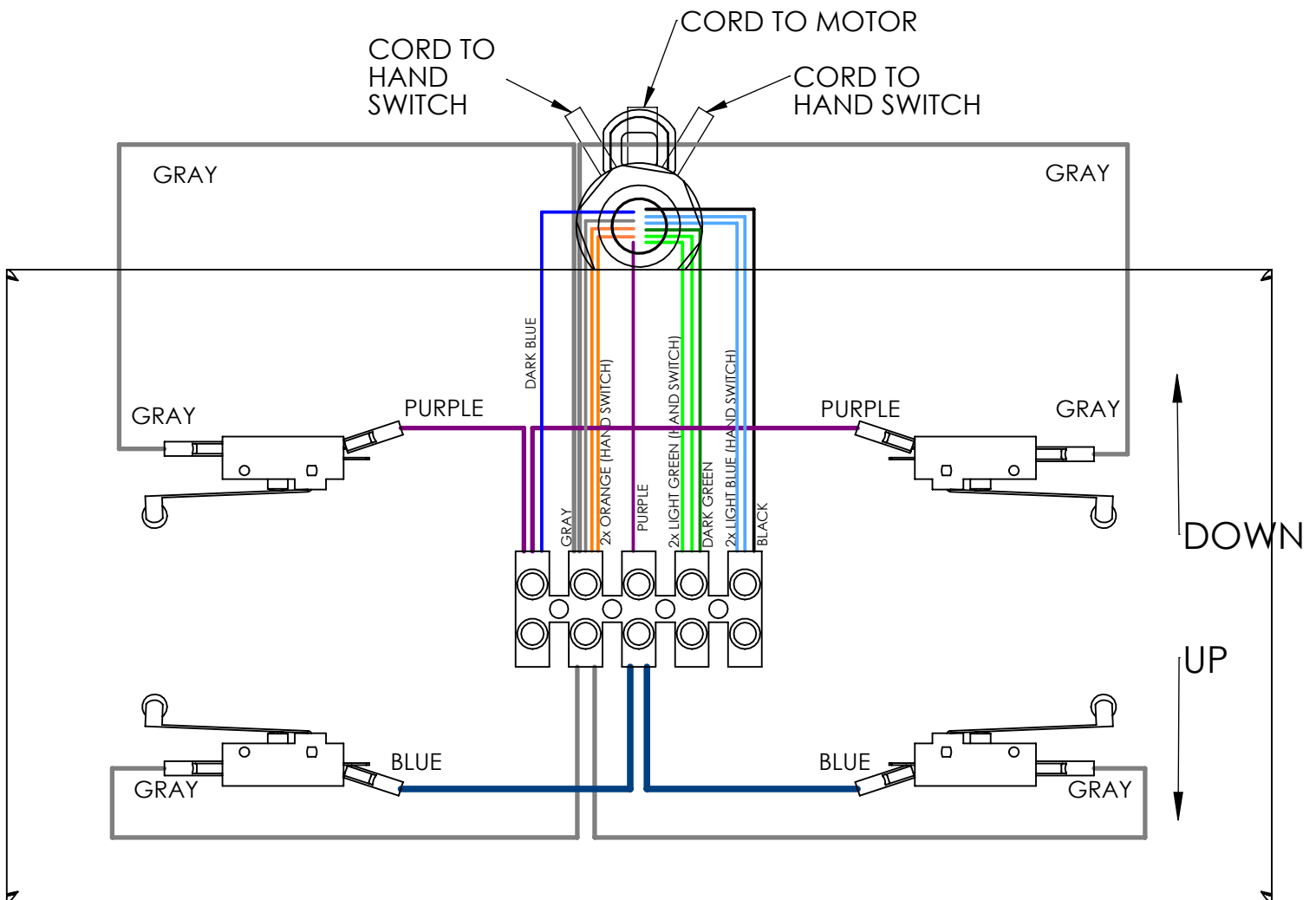
OPTIONAL BAR ACTIVATION SWITCH BOX FOR AM-BAX MODELS



AM-BAX BAR ACTIVATION WIRING DIAGRAM



AM-BAX 3000/5000



**ARMEDICA™ MANUFACTURING CORP.
LIMITED WARRANTY**

ARMEDICA™ Manufacturing Corp. warrants that the AM-SX Series treatment tables are free from defects in material and workmanship. This warranty shall remain in effect for 18 months from the date of original consumer purchase of the product. If the product fails to function during the warranty period due to a defect in material or workmanship, ARMEDICA™ Manufacturing Corp. or the selling Dealer will repair or replace the table without charge within a 30 day period from the date on which the table is returned to ARMEDICA™ Manufacturing Corp. or the selling Dealer. ARMEDICA™ Manufacturing Corp. has a policy of continuous improvement that may result in changes to specifications at any time.

THIS WARRANTY DOES NOT COVER

1. Replacement parts or labor furnished by anyone other than ARMEDICA™, Selling Dealer or approved ARMEDICA™ Service Agent.
2. Any failure of the table during the warranty period if the failure is not caused by a defect in material or workmanship or if the failure is caused by unreasonable use, including the failure to provide reasonable and necessary maintenance.

**ARMEDICA™ MANUFACTURING CORP. IS NOT LIABLE FOR INCIDENTAL
OR CONSEQUENTIAL DAMAGE TO PROPERTY OR BUSINESS.**

To obtain service under this warranty, please do the following:

1. A written claim should be sent to ARMEDICA™ Manufacturing Corp., P.O. Box 880, Greenwood, AR. 72936-0880 or the selling Dealer.
2. The table must be returned to ARMEDICA™ Manufacturing Corp. or the selling Dealer.
3. This warranty gives you specific legal rights and you may have other rights, which vary from state to state

ARMEDICA™ does not authorize any person or dealer to create for it any other obligations or liabilities in connection with the sale of the tables. Any representation or agreement not contained in this warranty shall be void.



