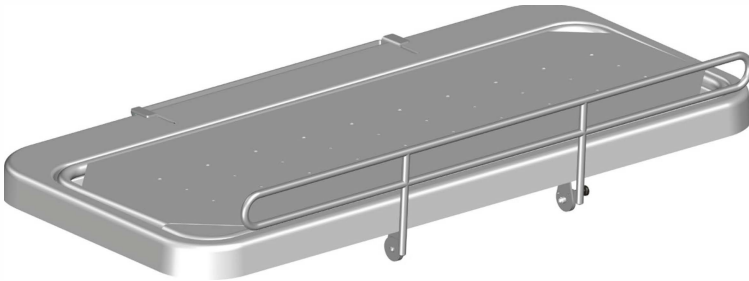




PRESSALIT®



Pressalit 2000 / 2100
Fixed Height Changing Table
User Guide



Model 2000
(Mesh Cover)
SKU: R8425218000
EAN: 5708590372167

Model 2100
(Coated Canvas)
SKU: R8425418000
EAN: 5708590372174

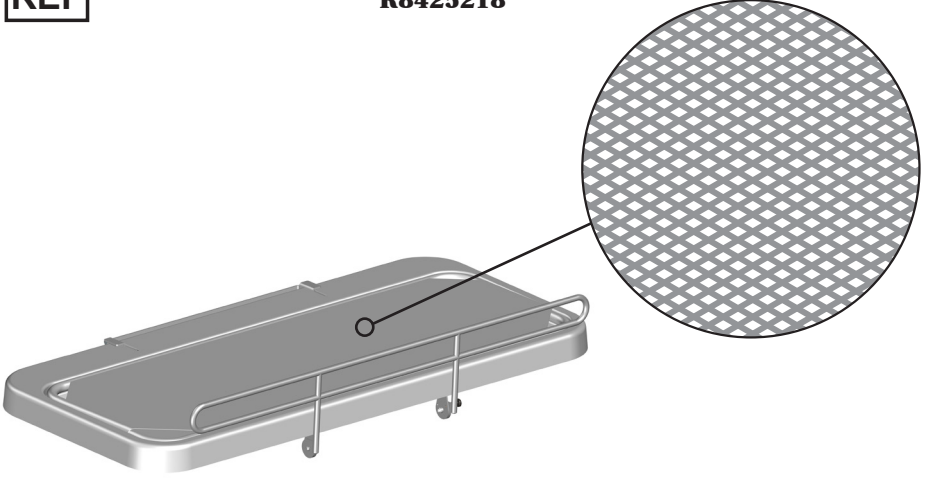
MAX-Ability, Inc.
info@max-ability.com
800 577-1555



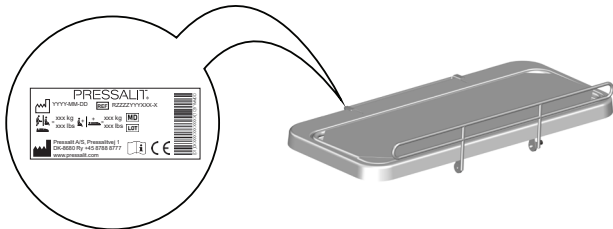
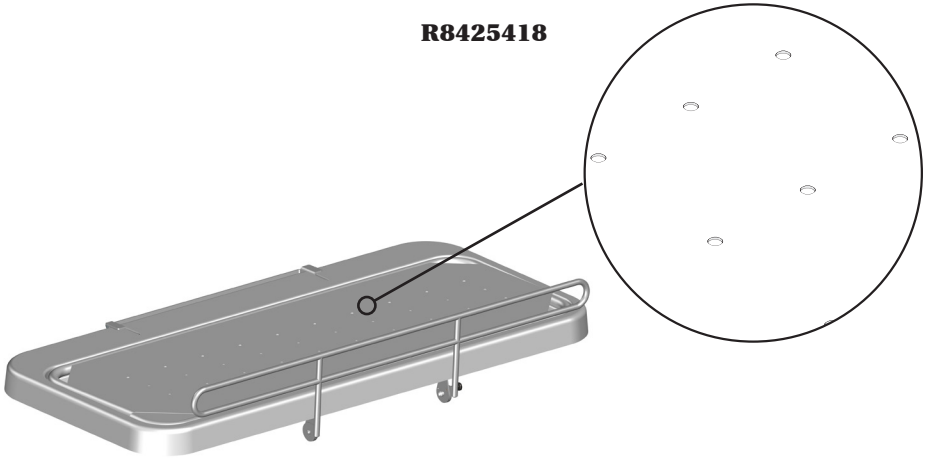
The guarantee covers faults or defects in material or manufacture within a period of 5 years. Products are subject to minor technical modifications and design deviations. E.&O.E.

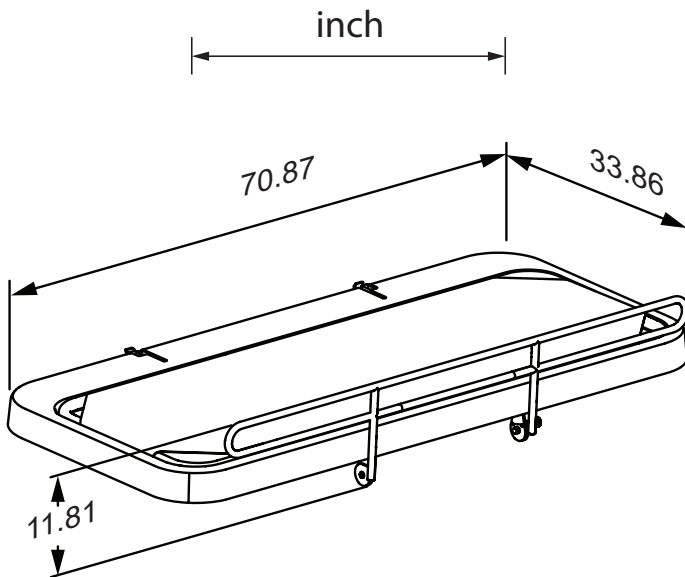
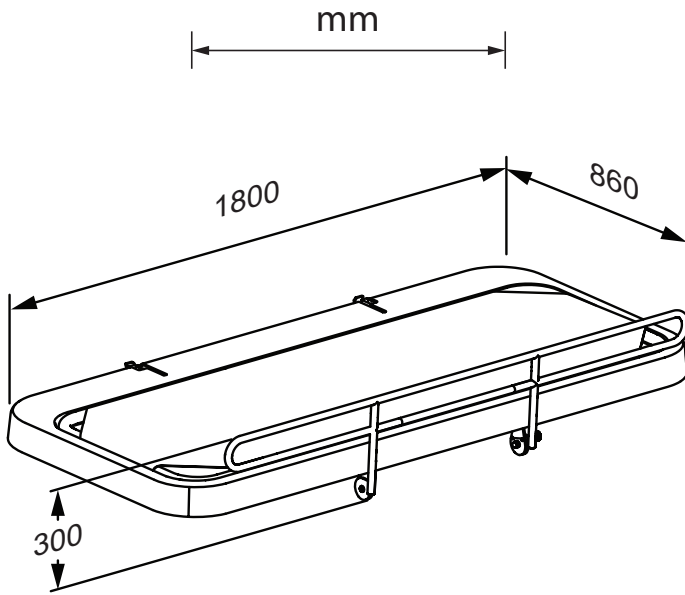
REF

R8425218



R8425418





Content

Mounting instruction	5
Operational signage	5
General safety	6
Symbols used in this manual	7
Specific safety	7
Intended use	8
Intended operator profile	8
Intended user profile	8
Operating environment	8
Contraindications for use	8
Biocompatibility	8
Operating instructions	9
Cleaning	10
Zippering the cover onto the frame	11
Maintenance	12
Maintenance inspection	12
Product label	13
Trouble-shooting	14
Technical data	14
Disposal and recycling	15

Mounting instruction



A mounting instruction is included with the product. It can also be downloaded from www.pressalit.com.

Operational signage



An operational signage can be downloaded from www.pressalit.com.

General safety

WARNING

- Read and understand the manual completely before use. Keep the manual close to the unit.
- Comply with this manual to avoid accidents involving serious personal injury.
- Never use or handle this product in other ways than are specified in this manual, as this can put your safety at risk and cause damage to the product.
- Make sure that everyone who is to install or use the product and its systems has the necessary information and access to this manual.

CAUTION

- Please comply with these instructions to avoid the product becoming damaged or destroyed.
- Do not perform repairs, disassembly, or assembly operations, extensions, re-adjustments or modifications to this product. These must be carried out by Pressalit or by persons authorized by Pressalit only.
- Never allow children to operate this product unless under supervision. The product is not intended for play.
- Never use the product if it is defective or damaged. Do not use a defective product before it has been repaired.

NOTICE

- The information in this manual is based on correct fitting of the product in accordance with our Assembly instruction.
- Pressalit cannot be held liable if the product is used in any way which differs from that described in the guide.
- We reserve the right to amend this manual without prior notice.

Symbols used in this manual

The following symbols are used in this manual as well as the associated documentation supplied with the product.



WARNING indicates a potentially hazardous situation which, if not avoided, could result in death or serious injury.



CAUTION indicates a potentially hazardous situation which, if not avoided, may result in minor or moderate injury. It may also be used to alert against unsafe practices.



IMPORTANT indicates important information about handling and use of the product.



NOTICE is used to address practices not related to personal safety.



Hand injury warning

en

Specific safety



- Never leave a person lying on the shower table without supervision.
- Always be careful when moving a person to and from the shower table.

Intended use

This product is intended for showering a person who is unable to stand up or sit down. The person is lying horizontally on the table.

Intended operator profile

The product is to be operated by personnel trained in health care and trained in washing a person in their care.

Intended user profile

The product can be used by all - adults, children, young, old, whose weight does not exceed the **maximum load of 175 kg / 385 lbs.**

Operating environment

For indoor use in a wet environment, such as a bathroom or wash room. The product is intended to be used at room temperature, in private homes, nursing homes and hospitals under normal working conditions.

Contraindications for use

It is not recommended that pregnant women use this product.

It is not recommended that patients with infusion or insulin pump, inflammatory skin diseases or patients in feverish conditions use this product.

Patients with cardiac insufficiency, cardiovascular diseases, craniocerebral injury, open wounds, feed or drain lines (e.g. catheter, drainage tube) may use this product only after consulting with the attending physician.

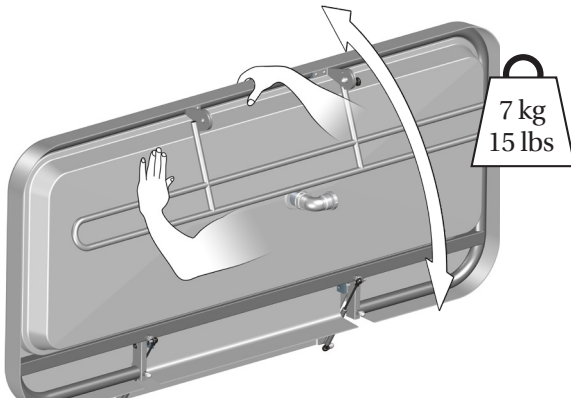
Biocompatibility

The materials in contact with the skin of the patient or the operator during the showering procedure have been tested for their content of harmful substances according to ISO 10993 Biocompatibility, and are therefore considered suitable for this purpose.

NOTICE

Any serious incident that has occurred in relation to the product should be reported to the manufacturer and the health authorities.

Operating instructions



Support the table using your hand or body when folding it down, to avoid the risk of damage.

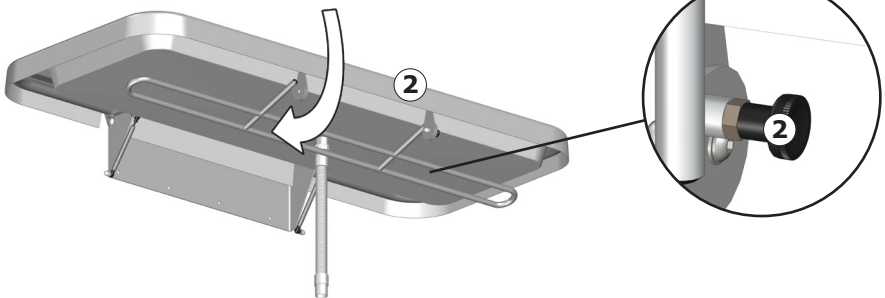
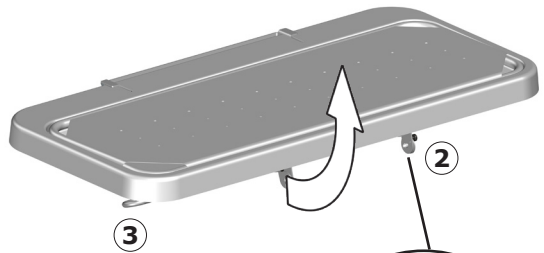
The built-in gas cylinders make it easy to fold the table up against the wall after use.



Take care to avoid injury to hands when in the vicinity of closing mechanical parts.

To pull the safety rail up:

Release the lock ② and pull the safety rail ③ from the underside of the table, and swing it upwards. The safety rail will automatically lock into position.



To fold the safety rail away: Release the lock ② and swing the safety rail down to the underside of the table. The safety rail will automatically lock into position.

Cleaning

Clean the shower table after each use. Use ordinary soapy water. Rinse off with fresh water and dry with a soft cloth.



The frame with the cover can be removed for cleaning. It can be zipped off and washed in regular washing machine at max 70° C. Dry the water collection tray.

IMPORTANT

- Do not use an autoclave or other type of steam cleaner.
- Avoid aggressive cleaning agents containing acids or chloride.
- Never spray the nursing bench directly with a high pressure cleaner.
- Avoid use of aggressive, abrasive, corrosive or chloride-based cleaning or disinfecting products.



CAUTION

Never let a person lie on the shower table without the cover in place. The tray under the cover is for water collection only. It is not to be used as a bathtub. Risk of user injury and damage to product.

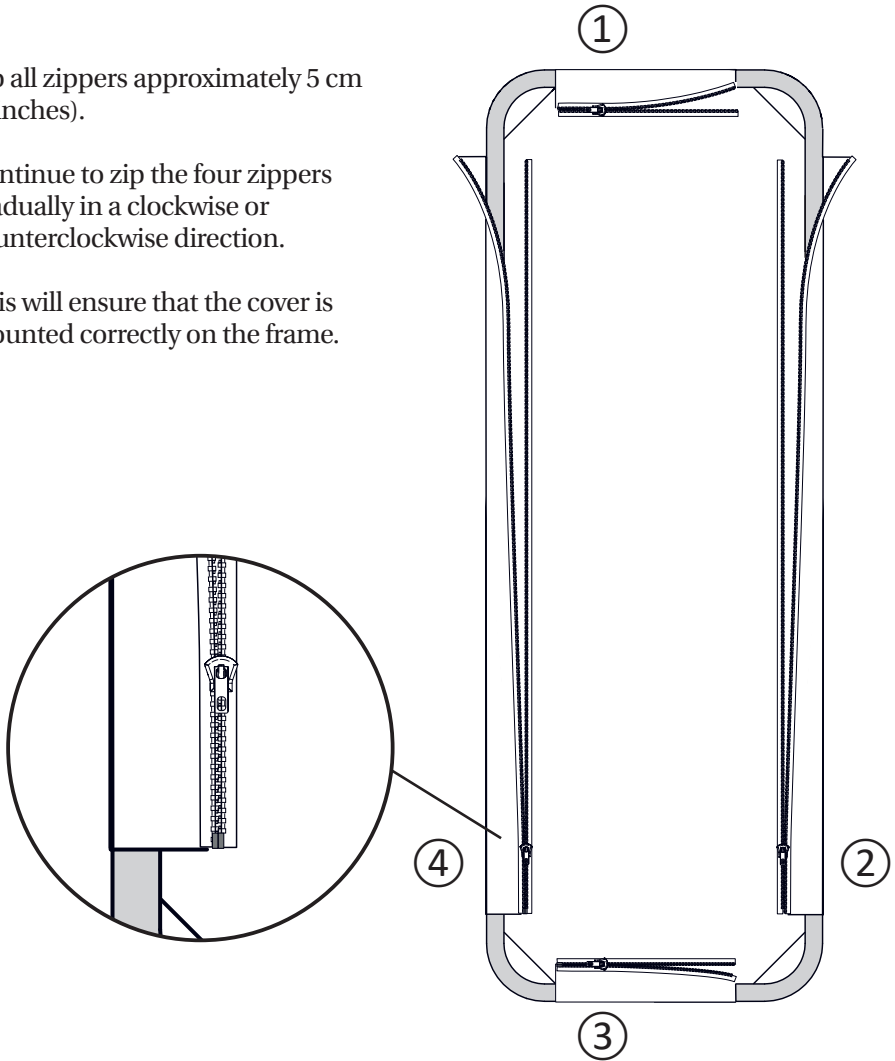
Zippering the cover onto the frame

When the cover has been removed for washing, it must be zipped back onto the frame again.

Zip all zippers approximately 5 cm (2 inches).

Continue to zip the four zippers gradually in a clockwise or counterclockwise direction.

This will ensure that the cover is mounted correctly on the frame.



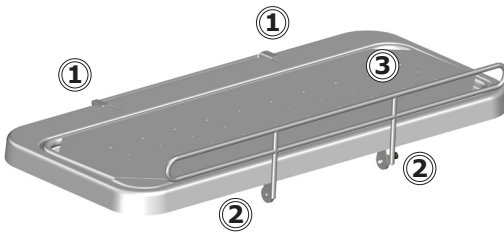
en

Maintenance

Expected service life of the shower table is 10 years, provided that maintenance is carried out as described below:

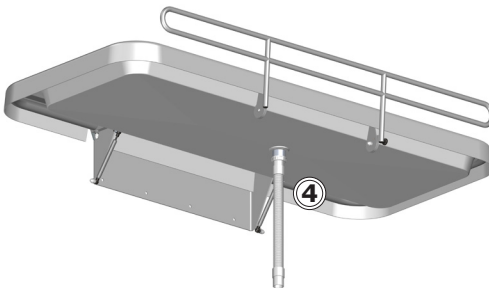
It is recommended that maintenance inspection is done one a year.

Maintenance inspection



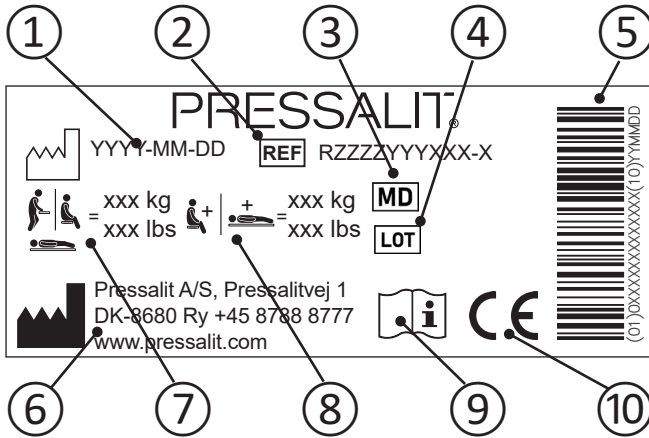
- Check the hinges ① on the table and the safety rail ②. Tighten if necessary.
- Check the cover ③ for damage and replace if necessary.

en



- Check the drain pipe connections ④, and check and clean the water trap (if fitted).

Product label



- ① Production date

- ② Article number

- ③ Medical device

- ④ Batch code

- ⑤ GS1-128 barcode

- ⑥ Name and address of manufacturer

- ⑦ Maximum user weight

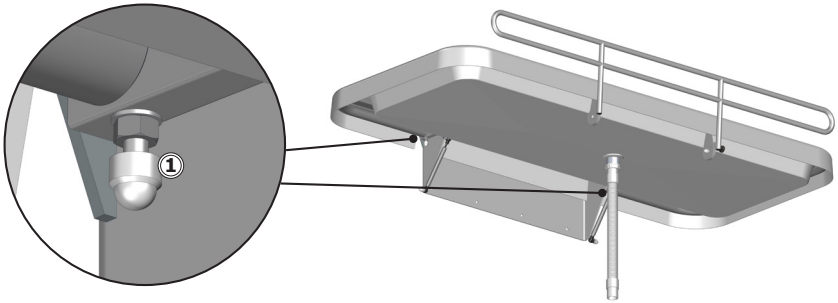
- ⑧ Max load

- ⑨ Consult manual for use

- ⑩ This product is CE-marked in accordance with the European Medical Device Regulation 2017/745. A declaration of conformity can be found at www.pressalit.com.

Trouble-shooting

Symptom	Cause	Action
The shower table does not stay in upright position.	One or more gas cylinders are defective.	Contact MAX-Ability.
The water does not run out of the water collection tray.	Adjustment screws too high or too low.	Adjust the adjustment screws ①.



en Technical data

Max load	175 kg / 385 lbs
Materials	Powder laquered stainless steel Plastics (PVC, Polystyrene)
Weight	R8425218, R8425418: 14,32 kg / 31.57 lbs

Disposal and recycling

The unit contains reusable materials. There are no known hazards or risks associated with disposal of the product. All components can be discarded after having been cleaned and disinfected.

When disposing of the product, we recommend that it be disassembled and broken down into different waste groups for recycling or combustion.

The following table provides information on the recycling and handling of the product.

Recyclable components	Material
Steel	Steel can be recycled by being re-melted and included as a secondary material in the production of new steel.
PVC and polystyrene	Hard PVC is granulated and re-melted. Use plastic sorting and recycling systems where they are locally available, otherwise incinerating plastic has the added benefit of generating energy, which can be used for, for example, combined heat and power production.
Polyurethane	Like other plastics, polyurethane can be recycled in two primary ways: mechanical recycling, in which the material is reused in its polymer form, and chemical recycling that takes the material back to its various chemical constituents.

en