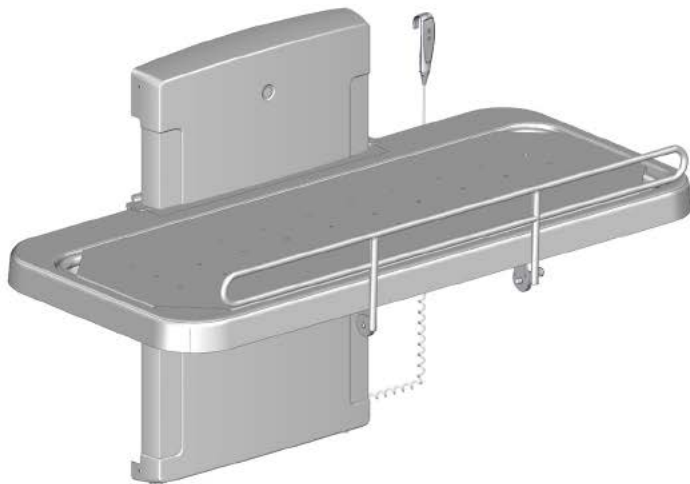




Pressalit 2000 / 2100
Hi-Lo Changing Table
User Guide

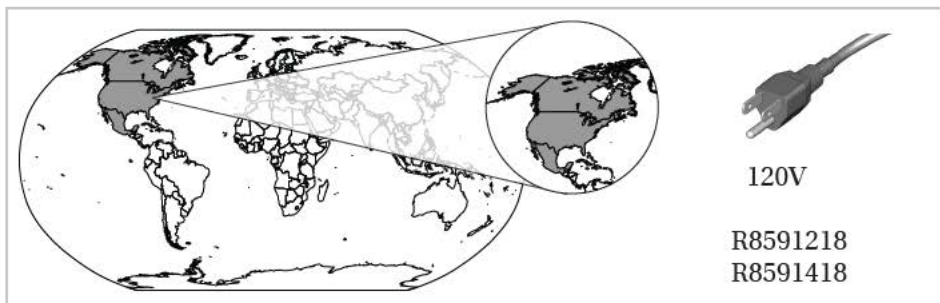


Model 2000
(Mesh Cover)
SKU: R8591218000
EAN: 5708590376127
Previous version: R8478

Model 2100
(Coated Canvas)
SKU: R8591418000
EAN: 5708590376134
Previous version: R8592418



The guarantee covers faults or defects in material or manufacture within a period of 5 years. Products are subject to minor technical modifications and design deviations. E.&O.E.





R8491

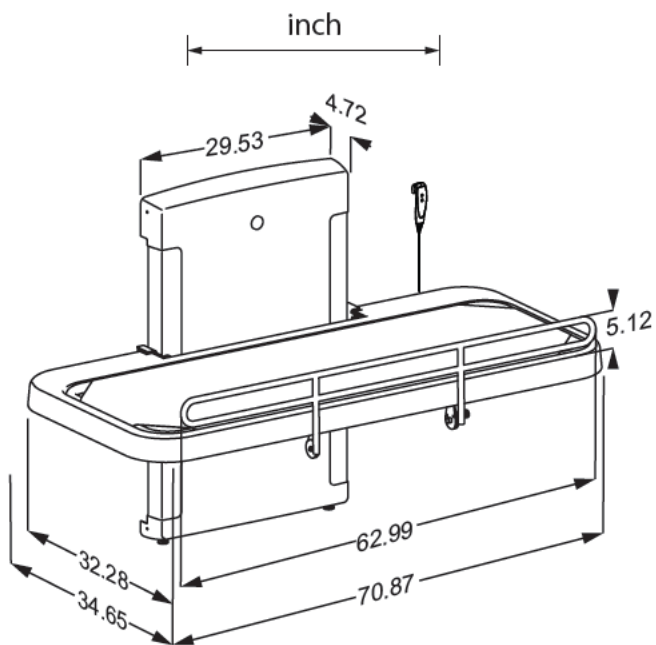
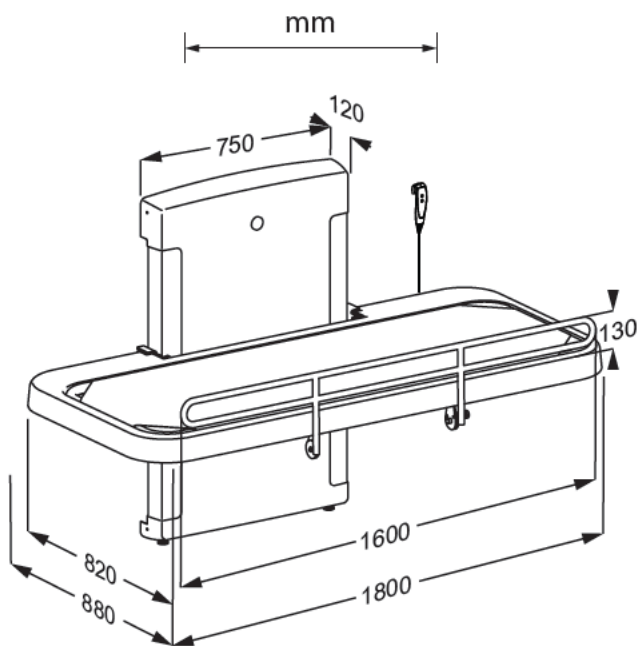




	73 kg / 161 lbs	175kg / 385 lbs



	Max P	U	Max I
R8591218 R8591418	36 W	120V	0.3A



Content

Mounting instruction	8
Operational signage	8
Symbols used in this manual	9
General safety	10
Intended use	11
Intended operator profile	11
Intended user profile	11
Operating environment	11
Contraindications for use	11
Biocompatibility	11
Operating instructions	12
Safety rail	13
Height adjustment	14
Mesh/canvas cover	15
Zipping the cover onto the frame	16
Cleaning	17
Disinfection	17
Maintenance	18
Maintenance inspection	18
Trouble-shooting	20
Electromagnetic compatibility	21
Electromagnetic immunity	22
Electromagnetic emission	25
Product label	26
Technical data	28
Disposal and recycling	28

Mounting instruction



A mounting instruction is included with the product. It can also be downloaded from pressalit.com.

Operational signage



An operational signage is included with the product. It can also be downloaded from pressalit.com.

Original instructions

Symbols used in this manual

The following symbols are used in this manual as well as the associated documentation supplied with the product.



WARNING indicates a potentially hazardous situation which, if not avoided, could result in death or serious injury.












CAUTION indicates a potentially hazardous situation which, if not avoided, may result in minor or moderate injury. It may also be used to alert against unsafe practices.



IMPORTANT indicates important information about handling and use of the product.



NOTICE is used to address practices not related to personal safety.

			
Hand injury warning	Head injury warning	Electricity / voltage warning	Do not leave patient unattended
			
Power specifications	Spare parts	Article number / versions	
			
Product weight	Max. user weight		

en

General safety

WARNING

- Read and understand the manual completely before use. Keep the manual close to the unit.
- Comply with this manual to avoid accidents involving serious personal injury.
- Never use or handle this product in other ways than are specified in this manual, as this can put your safety at risk and cause damage to the product.
- Make sure that everyone who is to install or use the product and its systems has the necessary information and access to this manual.

CAUTION

- Please comply with these instructions to avoid the product becoming damaged or destroyed.
- Do not perform repairs, disassembly, or assembly operations, extensions, re-adjustments or modifications to this product. These must be carried out by Pressalit or by persons authorized by Pressalit only.
- Never allow children to operate this product unless under supervision. The product is not intended for play.
- Never use the product if it is defective or damaged. Do not use a defective product before it has been repaired.

NOTICE

- The information in this manual is based on correct fitting of the product in accordance with our mounting instruction.
- Pressalit cannot be held liable if the product is used in any way which differs from that described in the guide.
- We reserve the right to amend this manual without prior notice.

Intended use

This product is intended for bathing a person who is unable to stand up or sit down. The person is lying horizontally on the shower table.

Intended operator profile

The product is to be used by a person trained in health care and/or trained in washing a person in their care.

Intended user profile

The product can be used by all - adults, children, young, old, whose weight does not exceed the **maximum load of 150 kg / 330 lbs.**

Operating environment

For indoor use in a wet environment, such as a bathroom or wash room. The product is intended to be used at room temperature, in private homes, nursing homes and hospitals under normal working conditions.

Contraindications for use

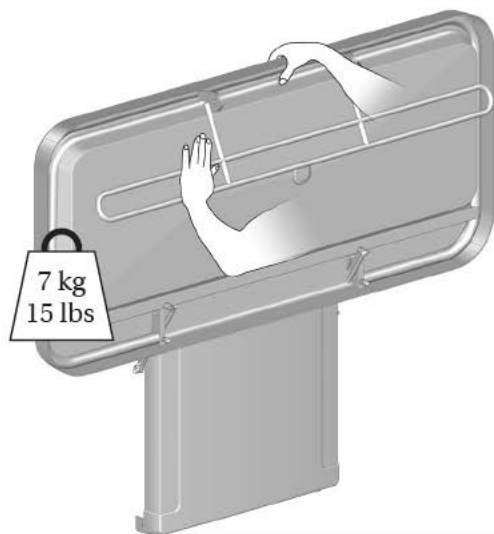
Use of the change trolley is not recommended for patients with infusion or insulin pump, inflammatory skin diseases or patients in feverish conditions.

Patients with cardiac insufficiency, cardiovascular diseases, craniocerebral injury, open wounds, feed or drain lines (e.g. catheter, drainage tube) may use the change trolley only after consulting with the attending physician.

Biocompatibility

The materials in contact with the skin of the user during the intended use have been evaluated for their content of harmful substances according to the procedures in BS EN ISO 10993-1:2020 Biological evaluation of medical devices – Part 1 and are therefore considered suitable for this purpose.

Operating instructions



Support the shower table using your hand or body when folding it down, to avoid the risk of damage.

The built-in gas cylinders make it easy to fold the shower table up against the wall after use.



Take care to avoid injury to hands when in the vicinity of closing mechanical parts.



CAUTION

Always be careful when moving a person to and from the shower table.



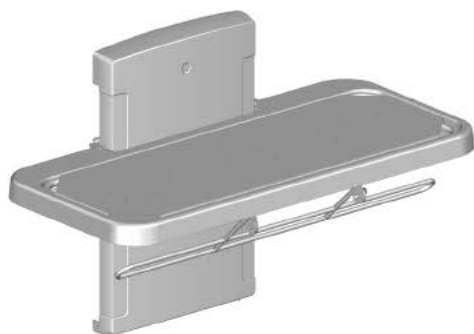
CAUTION

The surface of the product may become hot and / or cold if exposed to external sources of heat or cold (e.g. sunlight or frost).

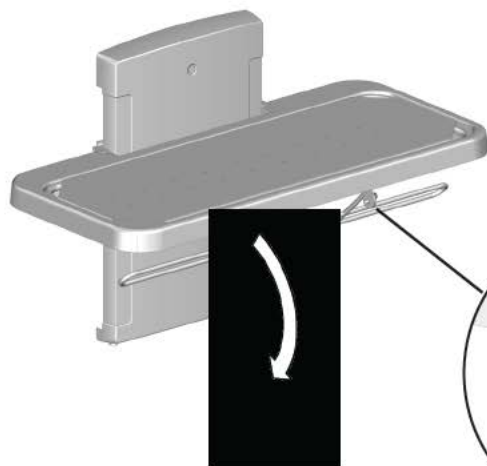
NOTICE

Any serious incident that has occurred in relation to the product should be reported to the manufacturer and the health authorities.

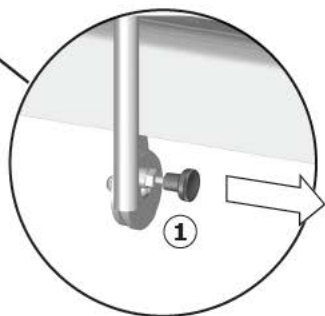
Safety rail



To pull the safety rail up: Swing the rail upwards from under the shower table. The safety rail will automatically lock into position.



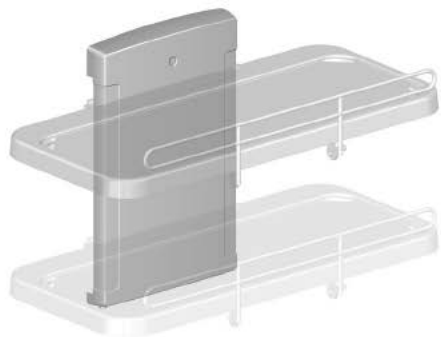
To fold the safety rail away: Release the lock ① and swing the safety rail down under the shower table.



CAUTION

Never let a person lie on the nursing bench without the cover in place. The tray under the pads is for water collection only. It is not to be used as a bathtub. Risk of injury to the user and damage to the product.

Height adjustment



When the shower table is installed at the recommended height, it can be adjusted between 480 and 880 mm (18.9" and 34.6") above the floor.

The height adjustment is controlled by the wired remote control unit.



Press and hold the up button to raise the unit. When the button is released, the motion stops.



Press and hold the down button to lower the unit. When the button is released, the motion stops.

en



To avoid risk of strangulation, make sure that the wired remote control is placed in its holder when not in use.



Take care to avoid injury to hands and head when in the vicinity of moving mechanical parts.



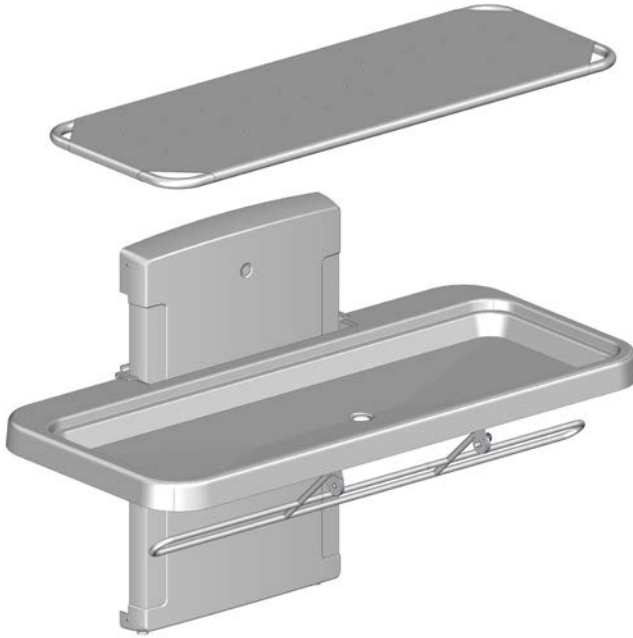
CAUTION

Never place objects underneath the shower table.



Do not leave the patient unattended.

Mesh/canvas cover



en

The frame with the cover can be removed for cleaning.
The cover can be zipped off and washed in regular washing machine at max 70° C.

Dry the water collection tray.

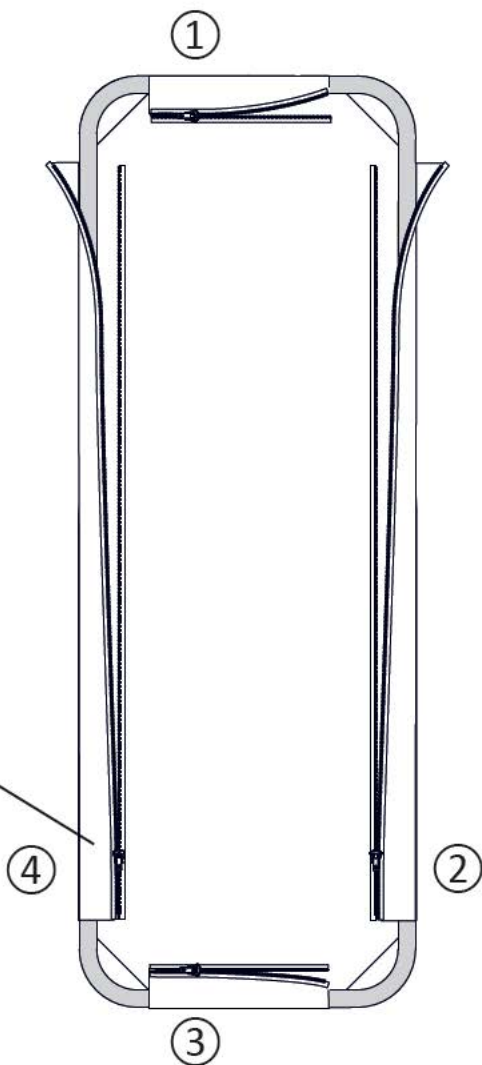
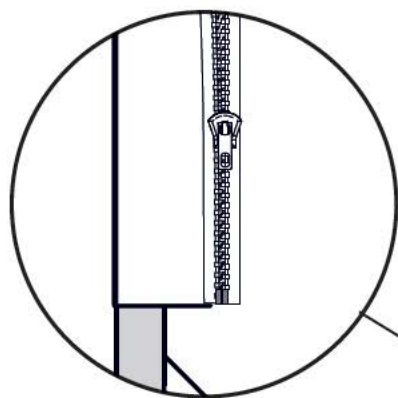
Zippering the cover onto the frame

When the cover has been removed for washing, it must be zipped back onto the frame again.

Zip all zippers approximately 5 cm (2 inches).

Continue to zip the four zippers gradually in a clockwise or counterclockwise direction.

This will ensure that the cover is mounted correctly on the frame.



Cleaning

The product is to be cleaned with hot water or a mild soapy cleaning agent. A list of suitable cleaning agents tested by Pressalit can be found on pressalit.com.

CAUTION

Always read the material safety data sheet (MSDS) and supplied instructions of the cleaning, disinfecting or de-scaling agent and comply with instructions for safe use, dilution, rinsing, drying, handling and storage of the agent.

IMPORTANT

- Do not use an autoclave or other type of steam cleaner.
- Avoid aggressive cleaning agents containing acids.
- Never spray the product directly with a high pressure cleaner.
- Avoid use of abrasive, corrosive or chlorine-based cleaning or disinfecting products.

en

Disinfection

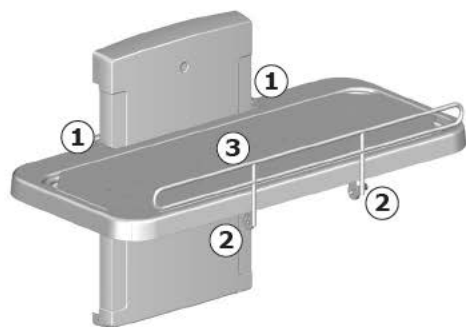
When using the shower table for multiple patients, it is necessary to both clean and disinfect the shower table between uses on different patients to prevent the risk of cross infection. A list of suitable disinfectants can be found at pressalit.com.

Maintenance

Expected service life of the shower table is 10 years, provided that maintenance is carried out as described below:

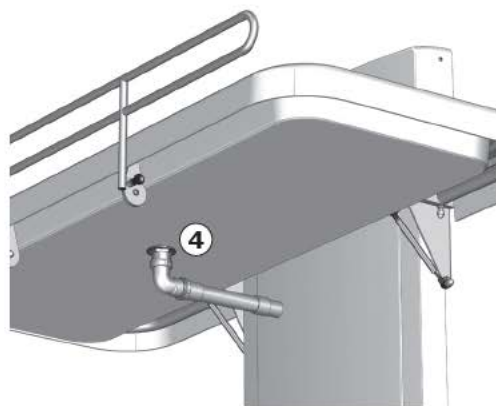
It is recommended on a weekly basis to run the motors on the product to their maximum positions by raising the shower table to its full height, and then lowering it to its lowest position, so that the internal parts are lubricated.

It is recommended that maintenance inspection is done once a year.



Maintenance inspection

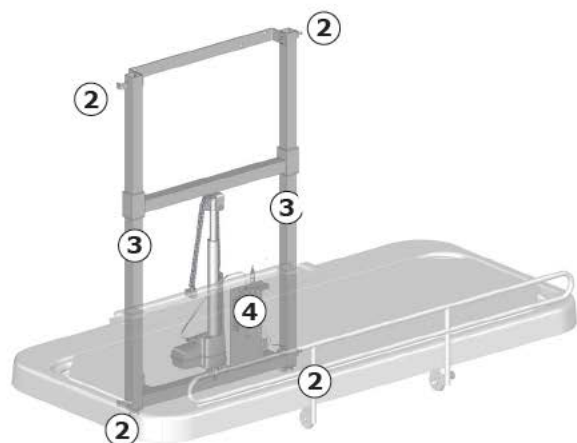
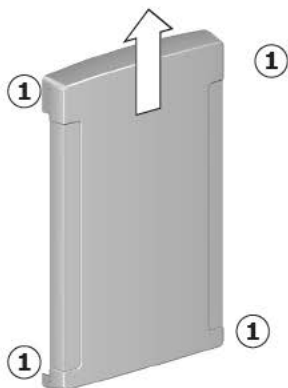
- Check the hinges ① on the shower table and the safety rail ② . Tighten if necessary.
- Check the cover ③ for damage and replace if necessary.



- Check the drain pipe connections ④, and check and clean the water trap (if fitted).



Disconnect mains before removing the covers.



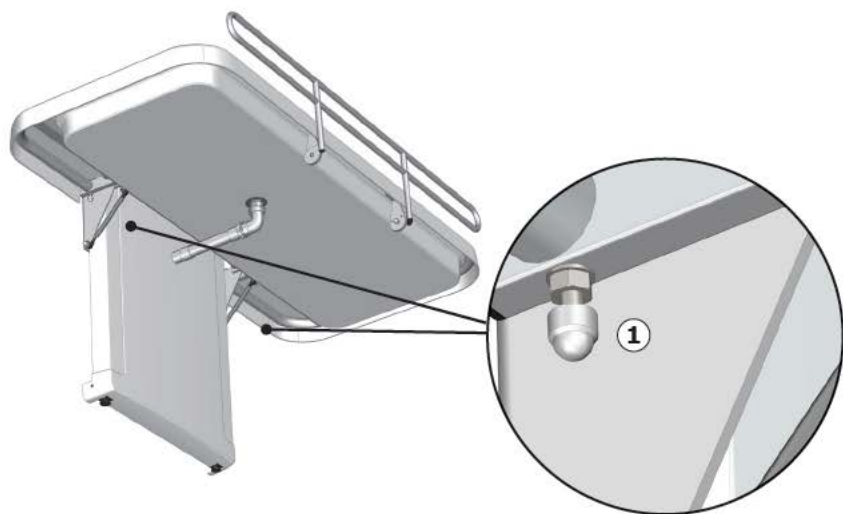
- Remove the upper and lower retaining screws ① on the cover and remove it carefully.

- Check the wall brackets ② and tighten if necessary.
- Oil moving parts, especially the sliding brackets ③.
- Check all electrical connections to the control box ④.
- Put the unit cover back again and tighten the retaining screws.
- Reconnect mains.

en

Trouble-shooting

Symptom	Cause	Action
The shower table does not stay in upright position.	The gas cylinders are defective.	Contact MAX-Ability.
The product will not work, even though the remote control is used correctly.	Fault in power supply.	Check that all wires and plugs are intact and correctly connected. Contact MAX-Ability.
The water does not run out of the water collection tray.	Adjustment screws too high or too low.	Adjust the adjustment screws ①.
The shower table runs up and down unevenly.	The sliding brackets are not properly lubricated.	Oil the sliding brackets as described under "Maintenance".



Contact MAX-Ability if the problem cannot be remedied. Do not attempt to repair the product yourself, as this will invalidate the guarantee.

Electromagnetic compatibility

The device is suitable for use at home, at daycare centres, at day centres for persons with physical or mental disabilities or at hospitals except near active HF surgical equipment and RF shielded rooms with medical systems for magnetic resonance imaging with high intensity of electromagnetic disturbances.

The device does not have any function related to basic safety or essential performance. In case of loss or degradation of performance due to electromagnetic disturbances, the user can still get on and off the product.


Cable	Length
Power cable	3,2 m (126")
Hand control spiral cable	Approx. 5 m (197") extended




- Use of accessories, transducers and cables other than those specified or provided by the manufacturer could result in increased electromagnetic emissions or decreased electromagnetic immunity of this equipment and result in improper function.
- Portable RF communications equipment (including peripherals such as antenna cables and external antennas) should be used no closer than 30 cm (12 inches) to any part of the unit, including its cables, to avoid any degradation of the performance of this unit.
- Use of this equipment adjacent to or stacked with other equipment should be voided because it could result in improper operation. If such use is necessary, this equipment and the other equipment should be observed to verify that they are operating normally.

en


Electromagnetic immunity

Electrostatic discharge	
	The product must not be affected by electrical discharge between a person and the product in such a way as to initiate actions or render components defective.
Test standard	Immunity test level
EN 61000-4-2	+/- 8 kV contact +/- 2, 4, 8, 15 kV air


Radiated RF electromagnetic field	
	The product must not be affected by radiating RF signals, for example from a mobile phone or radio, that could cause the product to take action or to make components defective.
Test standard	Immunity test level
EN 61000-4-3	15 V/m 80 MHz to 1000 MHz (only on the front) 15 V/m 1,01 GHz to 3 GHz 80 % AM 1 kHz

en

Immunity to proximity fields from RF wireless communication equipment

	The product must not be affected by radiating RF signals, for example from a mobile phone or radio, that could cause the product to take action or to make components defective.
Test standard	Immunity test level
EN 61000-4-3*	385 MHz, 27V/m, 18 Hz PM (50 % duty cycle square wave) 450 MHz, 28V/m, FM +/- 5 kHz deviation, 1 kHz sine 710 MHz, 9V/m, 217 Hz PM (50 % duty cycle square wave) 745 MHz, 9V/m, 217 Hz PM (50 % duty cycle square wave) 780 MHz, 9V/m, 217 Hz PM (50 % duty cycle square wave) 810 MHz, 28V/m, 18 Hz PM (50 % duty cycle square wave) 870 MHz, 28V/m, 18 Hz PM (50 % duty cycle square wave) 930 MHz, 28V/m, 18 Hz PM (50 % duty cycle square wave) 1720 MHz, 28V/m, 217 Hz PM (50 % duty cycle square wave) 1845 MHz, 28V/m, 217 Hz PM (50 % duty cycle square wave) 1970 MHz, 28V/m, 217 Hz PM (50 % duty cycle square wave) 2450 MHz, 28V/m, 217 Hz PM (50 % duty cycle square wave) 5240 MHz, 9V/m, 217 Hz PM (50 % duty cycle square wave) 5500 MHz, 9V/m, 217 Hz PM (50 % duty cycle square wave) 5785 MHz, 9V/m, 217 Hz PM (50 % duty cycle square wave)

Electrical fast transient/burst

	The product must not be affected by rapid pulse signals through the cord. This could cause the components to become defective, or the product could initiate actions.
Test standard	Immunity test level
EN 61000-4-4	+/- 1 kV , +/- 2 kV 100 kHz repetition frequency

Surge immunity

The product must not be affected to initiate actions or to render components defective as a result of lightning.

Test standard**Immunity test level**

EN 61000-4-5

Line-to-line: +/- 0.5 kV, +/-1 kV
Line-to-ground: +/- 0.5 kV, +/-1 kV, +/- 2 kV

Immunity to conducted disturbances induced by RF fields

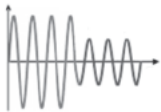
The wires must not be affected by other RF fields so as to initiate actions or render components defective.

Test standard**Immunity test level**

EN 61000-4-6

3 V (6 V in ISM bands and amateur radio bands)
0,15 to 80 MHz, 80 % AM at 1 kHz

en

Voltage dips

The product must not initiate or limit actions as a result of a dip in the power supply.

Test standard**Immunity test level**

EN 61000-4-11

0 % U_T ; 0.5 cycle at 0°, 45°, 90°, 135°, 180°, 225°, 270° and 315°, 0 % U_T ; 1 cycle at 0°, 70 % U_T ; 25 cycles at 0°
Single phase at 0°

Voltage interruptions


The product must not initiate or limit actions as a result of a short-term power supply stop.


Test standard**Immunity test level**


EN 61000-4-11


0 % U_T ; 300 cycle

Electromagnetic emission

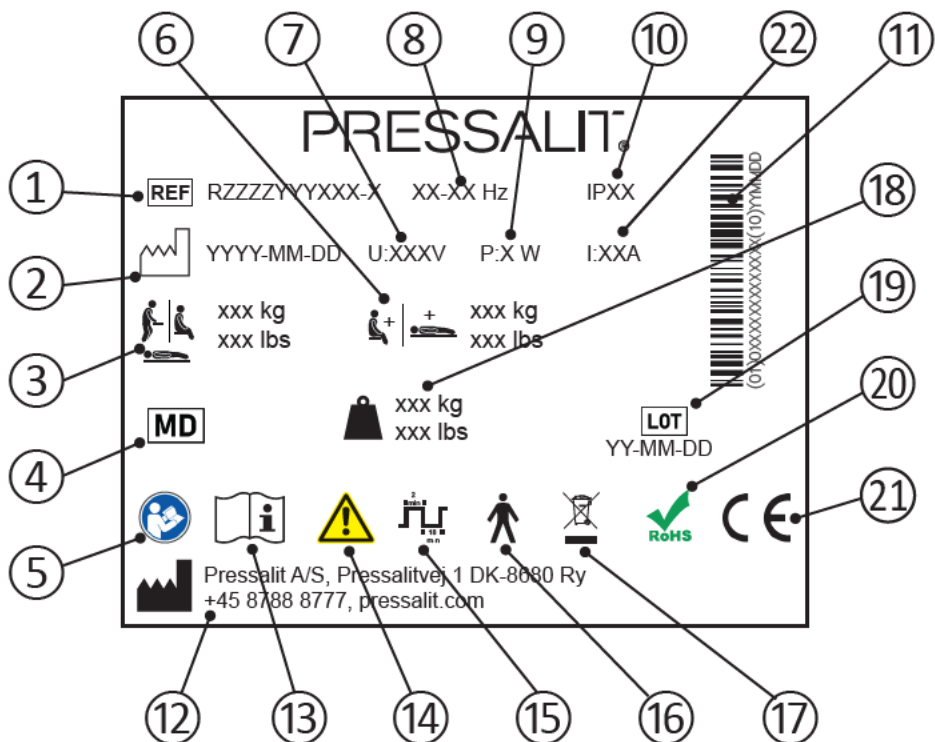
Conducted RF emission	
	The product must not send too much noise into the grid. This could lead to a disruption of other products.
Test standard	Emission test class and group
EN 55011	Class B, group 1

Radiated RF emission	
	The product must not emit RF signals in the room. This could lead to a disruption of other products.
Test standard	Emission test class and group
EN 55011	Class B, group 1

Harmonic current emissions	
	The product must not unintentionally draw power from the grid.
Test standard	Emission test class and group
IEC 61000-3-2	Class A

Voltage changes, voltage fluctuations and flicker	
	The product must not affect other products when it is connected to the grid. For example, these could be lights that could start flashing and thus bother people in the room.
Test standard	Emission test class and group
EN 61000-3-3	Tested according to the standard.

Product label



- ① Article number

- ② Production date

- ③ Maximum user weight

- ④ Medical device

- ⑤ Consult manual for use

- ⑥ Max load

- ⑦ Mains voltage

- ⑧ Frequency

- ⑨ Maximum power consumption

⑩ IP class

⑪ GS1-128 barcode

⑫ Name and address of manufacturer

⑬ Consult manual for use

⑭ Consult the manual for important cautionary information such as warnings and precautions

⑮ Duty cycle

⑯ Type B applied part Part of the product in normal use necessarily comes into physical contact with the patient to perform its function
The product complies with requirements of IEC 60601-1 to provide protection against electric shock

⑰ Do not dispose as unsorted municipal waste. The product should be collected separately and returned to the designated recycling service.

⑱ Product weight

⑲ Batch code

⑳ This product does not contain any of the hazardous substances mentioned in the Council Directive 2011/65/EC on RoHS.

These products are CE-marked in accordance with relevant requirements in:

- ㉑
- Regulation (EU) 2017/745 (5 April 2017) on medical devices.
 - Council Directive 2006/42/EC (of 17 May 2006) on machinery.
 - Council Directive 2011/65/EC (of 8 June 2011) on RoHS.

A declaration of conformity can be found at pressalit.com

㉒ Electric Current

Technical data

Materials	Powder laquered stainless steel Plastics: PVC (canvas) Polystyrene (cover)
IP class	The product has an ingress protection class rating of IPX6. The product may not be immersed in water, but is designed to withstand powerful jets (12.5 mm nozzle) of water from any direction.

Disposal and recycling

The unit contains reusable materials. There are no known hazards or risks associated with disposal of the product. All components can be discarded after having been cleaned and disinfected.

When disposing of the product, we recommend that it be disassembled and broken down into different waste groups for recycling or combustion.

en The following table provides information on the recycling and handling of the product.

Recyclable components	Material
Steel	Steel can be recycled by being re-melted and included as a secondary material in the production of new steel.
Plastics	Use plastic sorting and recycling systems where they are locally available, otherwise incinerating plastic has the added benefit of generating energy which can be used for, for example, combined heat and power production.
Electronics	The electronic components should be collected separately and returned to the designated recycling service.