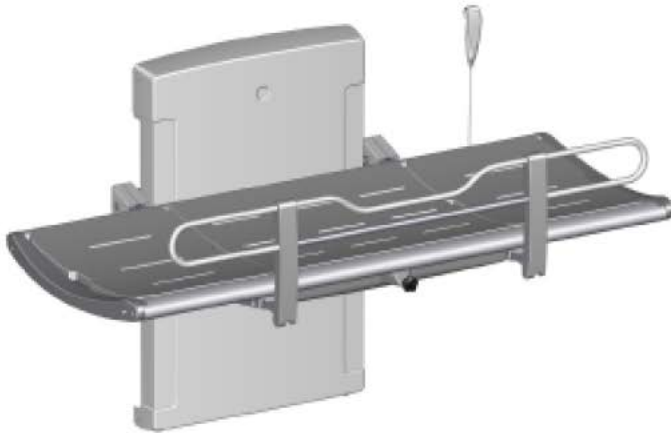




PRESSALIT®

Pressalit 3000
Height Adjustable Changing Table
User Guide



Child Size

R8592313301

(Graphite Gray)

R8592313299

(Sapphire Blue)

Adult Size

R8592318301

(Graphite Gray)

R8592318299

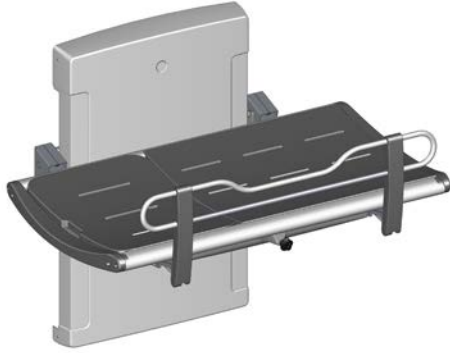
(Sapphire Blue)

MAX-Ability, Inc.
info@max-ability.com
800 577-1555

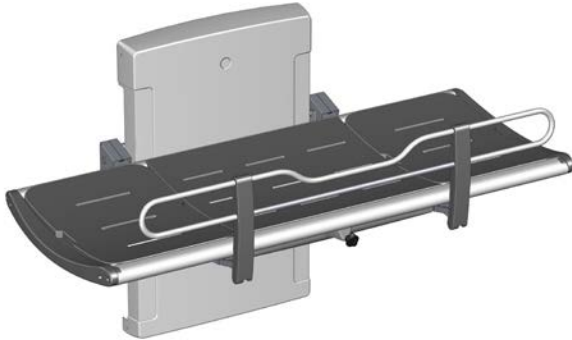


The guarantee covers faults or defects in material or manufacture within a period of 5 years. Products are subject to minor technical modifications and design deviations. E.&O.E.

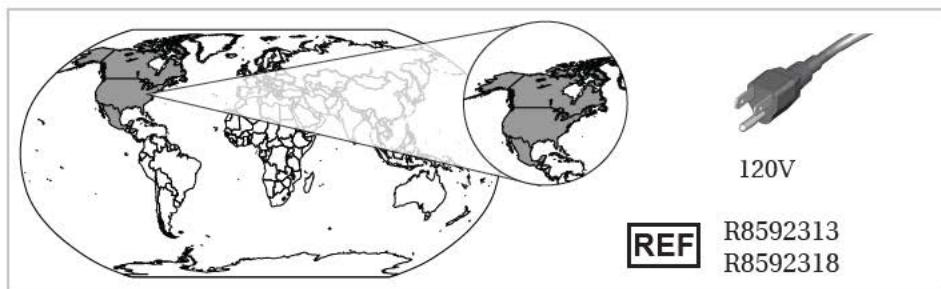
REF



Child Size R8592313






Adult Size R8592318

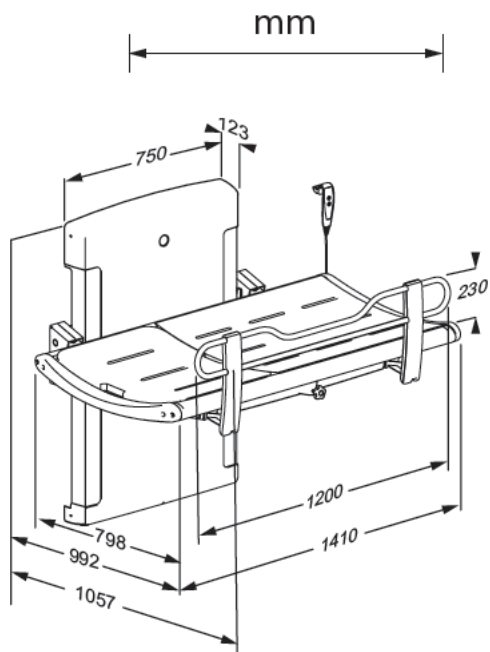


	Max P	U	Max I
R8592313, R8592318	36W	120V	0.3

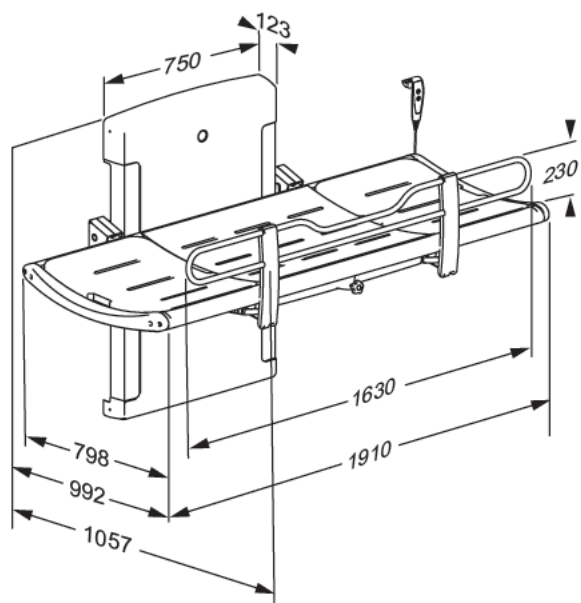


T5256

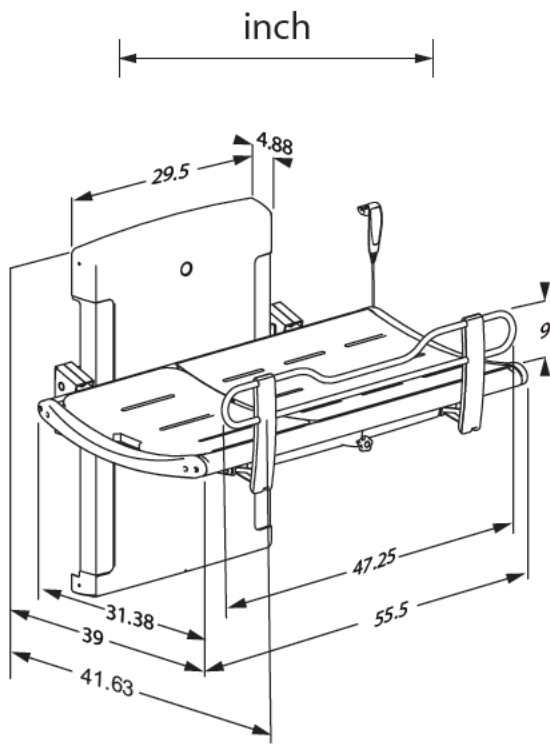
		
Child Size R8592313	77,60 kg / 171 lbs	200 kg / 440 lbs
Adult Size R8592318	82,35 kg / 182 lbs	200 kg / 440 lbs



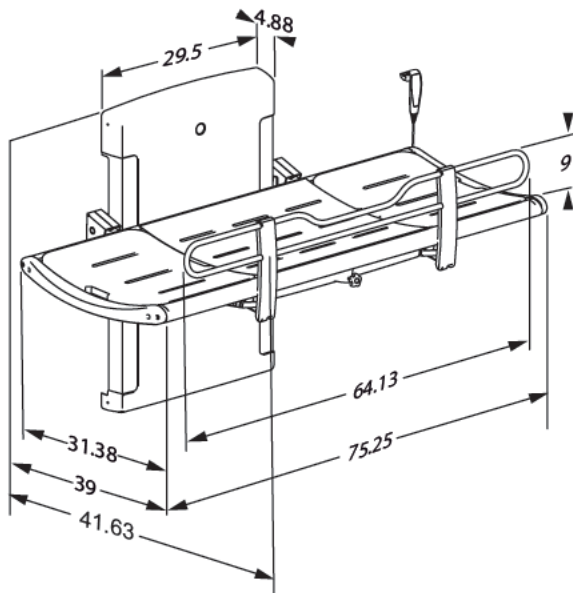
Child Size R8592313



Adult Size R8592318



Child Size R8592313



Adult Size R8592318

Content

Mounting instruction	9
Operational signage	9
Symbols used in this manual.	10
General safety	11
Intended use	12
Intended operator profile	12
Intended user profile	12
Operating environment.	12
Contraindications for use	12
Biocompatibility.	12
Operating instructions	13
Height adjustment	15
Head support	16
Cleaning.	17
To remove limescale.	17
Disinfection.	18
Maintenance	19
Maintenance inspection	19
Product label	21
Trouble-shooting.	23
Electromagnetic compatibility	24
Electromagnetic immunity.	25
Electromagnetic emission	28
Disposal and recycling	29

en

Mounting instruction



A mounting instruction is included with the product. It can also be downloaded from pressalit.com.

Operational signage




An operational signage is included with the product. It can also be downloaded from pressalit.com.

Original instructions

Symbols used in this manual

The following symbols are used in this manual as well as the associated documentation supplied with the product.

 WARNING				<p>WARNING indicates a potentially hazardous situation which, if not avoided, could result in death or serious injury.</p>
 CAUTION				<p>CAUTION indicates a potentially hazardous situation which, if not avoided, may result in minor or moderate injury. It may also be used to alert against unsafe practices.</p>
IMPORTANT				<p>IMPORTANT indicates important information about handling and use of the product.</p>
NOTICE				<p>NOTICE is used to address practices not related to personal safety.</p>
 <p>Hand injury warning</p>	 <p>Head injury warning</p>	 <p>Electricity / voltage warning</p>	 <p>Other specific warning</p>	
 <p>Compatible products</p>	 <p>Spare parts</p>	 <p>Power specifications</p>	 <p>EMC related symbols</p>	
 <p>Product weight</p>	 <p>Max. user weight</p>	 <p>Article number / versions</p>	 <p>Do not leave patient unattended</p>	

General safety

WARNING

- Read and understand the manual completely before use. Keep the manual close to the unit.
- Comply with this manual to avoid accidents involving serious personal injury.
- Never use or handle this product in other ways than are specified in this manual, as this can put your safety at risk and cause damage to the product.
- Make sure that everyone who is to install or use the product and its systems has the necessary information and access to this manual.

CAUTION

- Please comply with these instructions to avoid the product becoming damaged or destroyed.
- Do not perform repairs, disassembly, or assembly operations, extensions, re-adjustments or modifications to this product. These must be carried out by Pressalit or by persons authorized by Pressalit only.
- Never allow children to operate this product unless under supervision. The product is not intended for play.
- Never use the product if it is defective or damaged. Do not use a defective product before it has been repaired.

NOTICE

- The information in this manual is based on correct fitting of the product in accordance with our Assembly instruction.
- Pressalit cannot be held liable if the product is used in any way which differs from that described in the guide.
- We reserve the right to amend this manual without prior notice.

Intended use

This product is intended for showering/ changing a person who is unable to stand up or sit down. The person is lying horizontally on the shower table.

Intended operator profile

The product is to be used by a person trained in health care and/or trained in washing/ changing a person in their care.

Intended user profile

The product can be used by all - adults, children, young, old, whose weight does not exceed the **maximum load of 200 kg / 440 lbs.**

Operating environment

For indoor use in a wet environment, such as a bathroom or wash room. The product is intended to be used at room temperature, in private homes, nursing homes and hospitals under normal working conditions.

Contraindications for use

Use of the unit is not recommended for patients with infusion or insulin pump, inflammatory skin diseases or patients in feverish conditions.

- en Patients with cardiac insufficiency, cardiovascular diseases, craniocerebral injury, open wounds, feed or drain lines (e.g. catheter, drainage tube) may use the unit only after consulting with the attending physician.

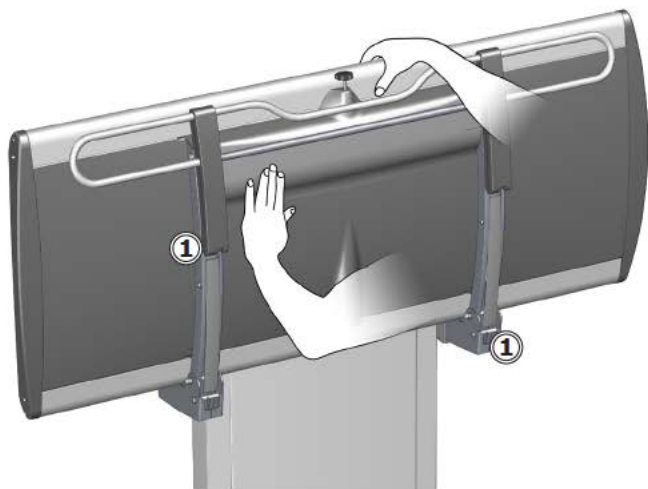
Biocompatibility

The materials in contact with the skin of the user during the intended use have been evaluated for their content of harmful substances according to the procedures in BS EN ISO 10993-1:2020 Biological evaluation of medical devices – Part 1 and are therefore considered suitable for this purpose.



The surface of the product may become hot and / or cold if exposed to external sources of heat or cold (eg sunlight or frost).

Operating instructions



Support the table using your hand or body when folding it up and down, to avoid the risk of damage.

The built-in gas cylinders make it easy to fold the table up against the wall after use.

en



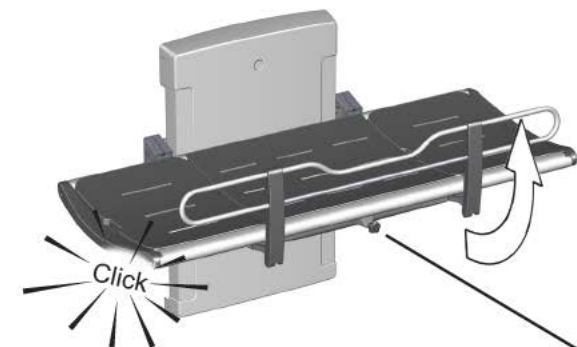
Take care to avoid injury to hands when in the vicinity of closing mechanical parts ①.

CAUTION

Always be careful when moving a person to and from the table.

NOTICE

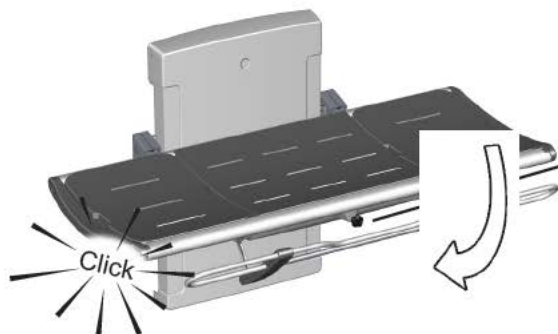
Any serious incident that has occurred in relation to the product should be reported to the manufacturer and the health authorities.



To pull the safety rail up:

Turn the locking knob ① one way or another to release the safety rail.

Lift the safety rail upwards until you hear a click indicating that it is locked.



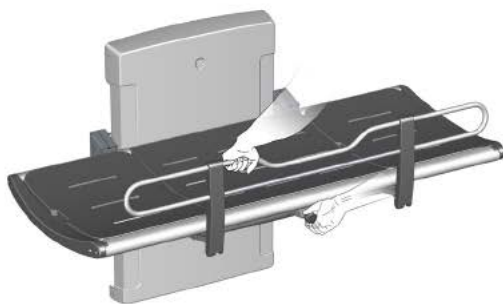
To fold the safety rail away:

Turn the locking knob ① one way or another to release the safety rail.

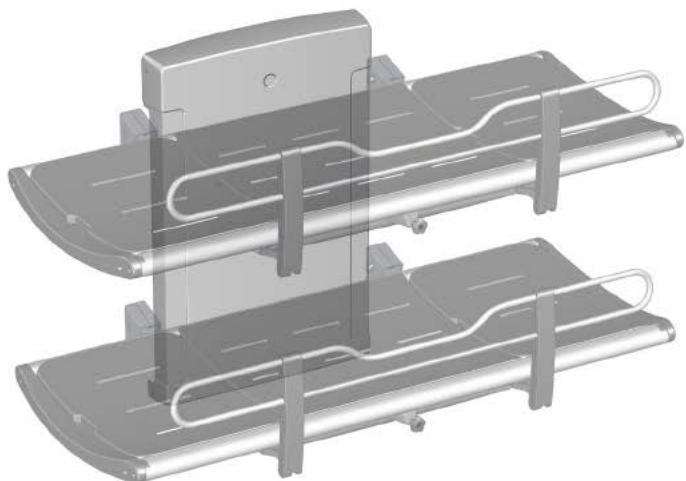
Push the safety rail back to the underside of the table until you hear a click indicating that it is locked.

NOTICE

If the locks do not release when turning the release knob, gently lift the rail, to take the weight off the locking mechanism. This will ensure the release of the locks.



Height adjustment



When the table is installed at the correct height (recommended installation height is 868 mm above the floor), it can be adjusted between 300 and 1000 mm above the floor.

en

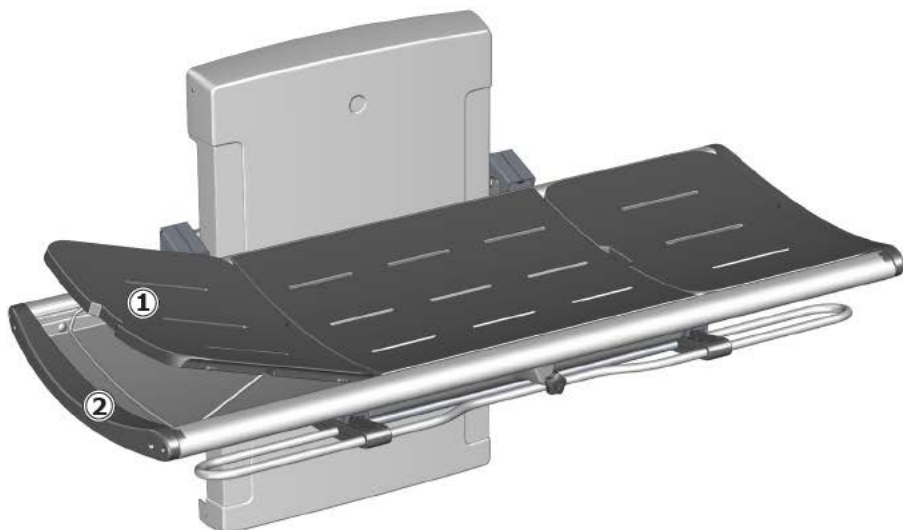
The height adjustment is controlled by the wired remote control unit.

Press and hold the up button to raise the table, and press and hold the down button to lower the table.



Make sure that there are no objects under the shower table when adjusting the height.

Head support



The end pad can be used as a head support for increased comfort. Use the cut-out grip ① to lift the pad. Fold the metal bracket ② down to hold the pad in the upright position.

en

The end pads are interchangeable and can be placed at either end of the table.

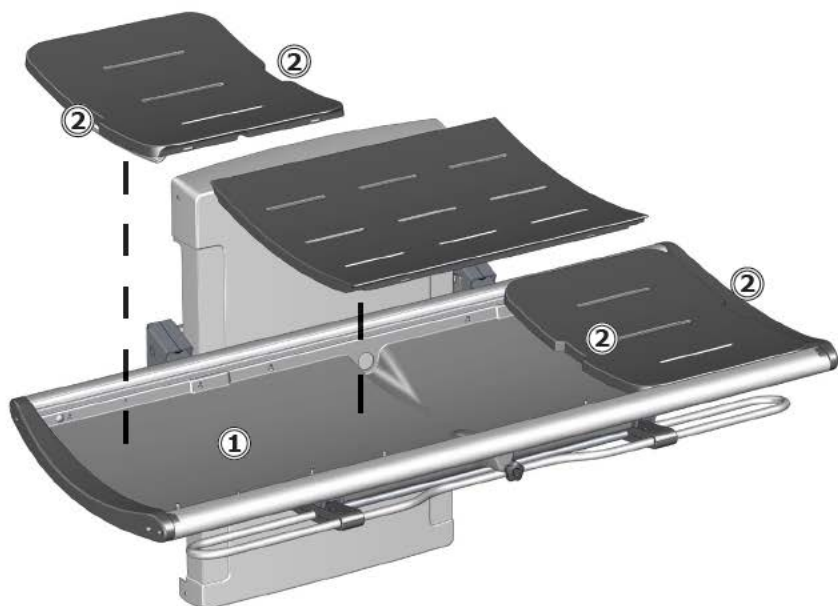


CAUTION

Never let a person lie on the shower table without the pads in place. The tray under the pads is for water collection only. It is not to be used as a bathtub. Risk of user injury and damage to product.

Cleaning

Clean the shower table after each use. Use ordinary soapy water. Rinse off with fresh water and dry with a soft cloth.



Do not leave the pads soaked in water. Remove the pads and dry the water collection tray ①. Use the cut-out grips ② when lifting the pads.

To remove limescale

To remove limescale marks on the aluminium parts, use 3 parts 30% household vinegar to 7 parts water and afterwards wipe the parts with a cloth wrung out in clean water.

In countries with relatively high levels of lime in the water supply, it may be necessary to remove limescale deposits from the aluminium parts using a de-scaling agent such as acetic acid. Test this first on an area that is not visible when the table is in use.

The product is to be cleaned with hot water or a mild soapy cleaning agent. A list of suitable cleaning agents tested by Pressalit can be found on www.pressalit.com.

 **CAUTION**

Always read the material safety data sheet (MSDS) and supplied instructions of the cleaning, disinfecting or de-scaling agent and comply with instructions for safe use, dilution, rinsing, drying, handling and storage of the agent.

IMPORTANT

- Do not use an autoclave or other type of steam cleaner.
- Avoid aggressive cleaning agents containing acids.
- Never spray the product directly with a high pressure cleaner.
- Avoid use of abrasive, corrosive or chlorine-based cleaning or disinfecting products.

en

Disinfection

When using the shower table for multiple patients, it is necessary to both clean and disinfect the shower table between uses on different patients to prevent the risk of cross infection.

NOTICE

If the product is installed in an atmosphere heavy in salt or chloride, the warranty of the shower table will be reduced from the normal 3 years to 1 year.

Salt and chloride have a corrosive effect on the products components and will cause a decrease in the life expectancy of the product. The damaging effects can, however, be reduced if the product is showered with tap water on a daily basis.

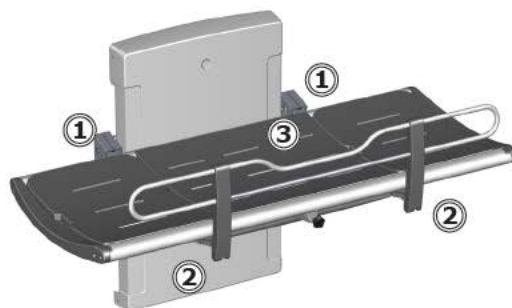
Maintenance

Expected service life of the shower table is 10 years for institutional use, provided that maintenance is carried out as described below:

It is recommended on a weekly basis to run the motors on the product to their maximum positions by raising the product to its full height, and then lowering it to its lowest position, so that the internal parts are lubricated.

It is recommended that maintenance inspection is done once a year.

Maintenance inspection

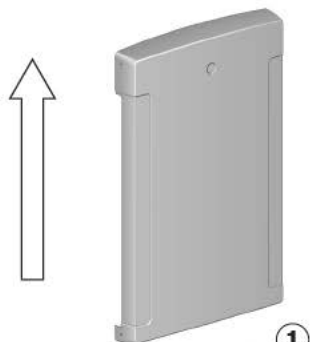


- Check the hinges ① on the table and the safety rail ②. Tighten if necessary.
- Check the pads ③ for damage and replace if necessary.

en

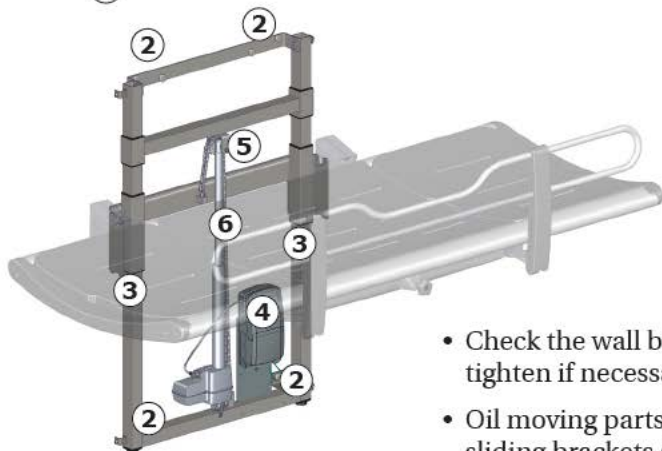
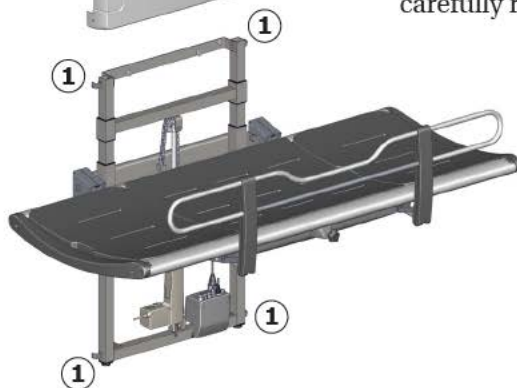


- Check the drain pipe connections ④, and check and clean the water trap (if fitted).



Disconnect mains before removing the covers.

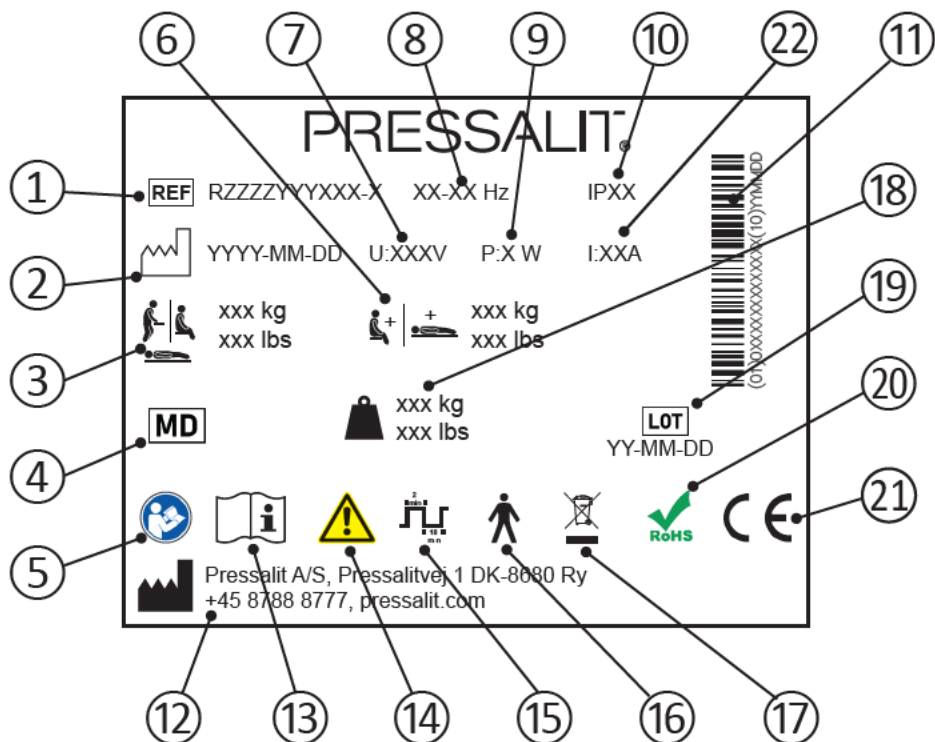
Remove the upper and lower retaining screws ① on the lift unit cover and carefully remove the cover.



- Check the wall brackets ② and tighten if necessary.
- Oil moving parts, especially the sliding brackets ③.

- Check all electrical connections to the control box ④.
- Check the chain wheel ⑤ for wear.
- Oil the chain ⑥.
- Put the unit cover back again and tighten the retaining screws.

Product label



en

- ① Article number

- ② Production date

- ③ Maximum user weight

- ④ Medical device

- ⑤ Consult manual for use

- ⑥ Max load

- ⑦ Mains voltage

- ⑧ Frequency

- ⑨ Maximum power consumption

⑩ IP class

⑪ GS1-128 barcode

⑫ Name and address of manufacturer

⑬ Consult manual for use

⑭ Consult the manual for important cautionary information such as warnings and precautions.

⑮ Duty cycle

⑯ Type B applied part. Part of the product in normal use necessarily comes into physical contact with the patient to perform its function. The product complies with requirements of IEC 60601-1 to provide protection against electric shock

⑰ Do not dispose as unsorted municipal waste. The product should be collected separately and returned to the designated recycling service.

⑱ Product weight

⑲ Batch code

⑳ This product does not contain any of the hazardous substances mentioned in the Council Directive 2011/65/EC on RoHS.

These products are CE-marked in accordance with relevant requirements in:

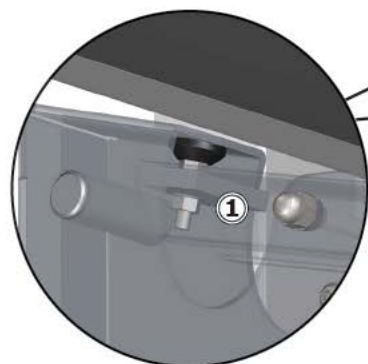
- ㉑
- Regulation (EU) 2017/745 (5 April 2017) on medical devices.
 - Council Directive 2006/42/EC (of 17 May 2006) on machinery.
 - Council Directive 2011/65/EC (of 8 June 2011) on RoHS.

A declaration of conformity can be found at pressalit.com

㉒ Electric Current

Trouble-shooting

Symptom	Cause	Action
The shower table does not stay in upright position.	One or more gas cylinders are defective.	Contact MAX-Ability.
The product will not work, even though the remote control is used correctly.	Fault in power supply.	Check that all wires and plugs are intact and correctly connected. Contact MAX-Ability.
The water does not run out of the water collection tray.	Adjustment screws too high or too low.	Adjust the adjustment screws ①.
The shower table runs up and down unevenly.	The sliding brackets are not properly lubricated.	Oil the sliding brackets as described under "Maintenance".



Contact MAX-Ability if the problem cannot be remedied. Do not attempt to repair the product yourself, as this will invalidate the guarantee.

Electromagnetic compatibility

The device is suitable for use at home, at daycare centres, at day centres for persons with physical or mental disabilities or at hospitals except near active HF surgical equipment and RF shielded rooms with medical systems for magnetic resonance imaging with high intensity of electromagnetic disturbances.


The device does not have any function related to basic safety or essential performance. In case of loss or degradation of performance due to electromagnetic disturbances, the user still can get on and off the product.


Cable	Length
Power cable	3,2 m (126")
Hand control spiral cable	Approx. 5 m (197") extended



- Use of accessories, transducers and cables other than those specified or provided by the manufacturer could result in increased electromagnetic emissions or decreased electromagnetic immunity of this equipment and result in improper function.
- Portable RF communications equipment (including peripherals such as antenna cables and external antennas) should be used no closer than 30 cm (12 inches) to any part of the unit, including its cables, to avoid any degradation of the performance of this unit.
- Use of this equipment adjacent to or stacked with other equipment should be voided because it could result in improper operation. If such use is necessary, this equipment and the other equipment should be observed to verify that they are operating normally.

Electromagnetic immunity

Electrostatic discharge	
	The product must not be affected by electrical discharge between a person and the product in such a way as to initiate actions or render components defective.
Test standard	Immunity test level
EN 61000-4-2	+/- 8 kV contact +/- 2, 4, 8, 15 kV air

Radiated RF electromagnetic field	
	The product must not be affected by radiating RF signals, for example from a mobile phone or radio, that could cause the product to take action or to make components defective.
Test standard	Immunity test level
EN 61000-4-3	15 V/m 80 MHz to 1000 MHz (only on the front) 15 V/m 1,01 GHz to 3 GHz 80 % AM 1 kHz

en

Immunity to proximity fields from RF wireless communication equipment

The product must not be affected by radiating RF signals, for example from a mobile phone or radio, that could cause the product to take action or to make components defective.

Test standard**Immunity test level**

EN 61000-4-3*

385 MHz, 27V/m, 18 Hz PM (50 % duty cycle square wave)
450 MHz, 28V/m, FM +/- 5 kHz deviation, 1 kHz sine
710 MHz, 9V/m, 217 Hz PM (50 % duty cycle square wave)
745 MHz, 9V/m, 217 Hz PM (50 % duty cycle square wave)
780 MHz, 9V/m, 217 Hz PM (50 % duty cycle square wave)
810 MHz, 28V/m, 18 Hz PM (50 % duty cycle square wave)
870 MHz, 28V/m, 18 Hz PM (50 % duty cycle square wave)
930 MHz, 28V/m, 18 Hz PM (50 % duty cycle square wave)
1720 MHz, 28V/m, 217 Hz PM (50 % duty cycle square wave)
1845 MHz, 28V/m, 217 Hz PM (50 % duty cycle square wave)
1970 MHz, 28V/m, 217 Hz PM (50 % duty cycle square wave)
2450 MHz, 28V/m, 217 Hz PM (50 % duty cycle square wave)
5240 MHz, 9V/m, 217 Hz PM (50 % duty cycle square wave)
5500 MHz, 9V/m, 217 Hz PM (50 % duty cycle square wave)
5785 MHz, 9V/m, 217 Hz PM (50 % duty cycle square wave)


Electrical fast transient/burst


The product must not be affected by rapid pulse signals through the cord. This could cause the components to become defective, or the product could initiate actions.

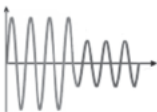
Test standard**Immunity test level**


EN 61000-4-4

+/- 1 kV , +/- 2 kV
100 kHz repetition frequency


Surge immunity	
	The product must not be affected to initiate actions or to render components defective as a result of lightning.
Test standard	Immunity test level
EN 61000-4-5	Line-to-line: +/- 0.5 kV, +/-1 kV Line-to-ground: +/- 0.5 kV, +/-1 kV, +/- 2 kV


Immunity to conducted disturbances induced by RF fields	
	The wires must not be affected by other RF fields so as to initiate actions or render components defective.
Test standard	Immunity test level
EN 61000-4-6	3 V (6V in ISM bands and amateur radio bands) 0,15 to 80 MHz, 80 % AM at 1 kHz


Voltage dips	
	The product must not initiate or limit actions as a result of a dip in the power supply.
Test standard	Immunity test level
EN 61000-4-11	0 % U_T ; 0.5 cycle at 0°, 45°, 90°, 135°, 180°, 225°, 270° and 315°, 0 % U_T ; 1 cycle at 0°, 70 % U_T ; 25 cycles at 0° Single phase at 0°


Voltage interruptions	
	The product must not initiate or limit actions as a result of a short-term power supply stop.
Test standard	Immunity test level
EN 61000-4-11	0 % U_T ; 300 cycle

Electromagnetic emission

Conducted RF emission	
	The product must not send too much noise into the grid. This could lead to a disruption of other products.
Test standard	Emission test class and group
EN 55011	Class B, group 1

Radiated RF emission	
	The product must not emit RF signals in the room. This could lead to a disruption of other products.
Test standard	Emission test class and group
EN 55011	Class B, group 1

Harmonic current emissions	
	The product must not unintentionally draw power from the grid.
Test standard	Emission test class and group
IEC 61000-3-2	Class A

Voltage changes, voltage fluctuations and flicker	
	The product must not affect other products when it is connected to the grid. For example, these could be lights that could start flashing and thus bother people in the room.
Test standard	Emission test class and group
EN 61000-3-3	Tested according to the standard.

Disposal and recycling

The unit contains reusable materials. There are no known hazards or risks associated with disposal of the product. All components can be discarded after having been cleaned and disinfected.

When disposing of the product, we recommend that it be disassembled and broken down into different waste groups for recycling or combustion.

The following table provides information on the recycling and handling of the product.

Recyclable components	Material
Aluminium	Aluminium is theoretically 100% recyclable without any loss of its natural qualities. It requires only 5% of the energy used to produce primary aluminium. The quality of recycled aluminium is so high that it can be used again and again, even in the case of anodised products as the anodised layer is a natural part of the aluminium.
Steel	Steel can be recycled by being re-melted and included as a secondary material in the production of new steel.
PVC and polystyrene	Hard PVC is granulated and re-melted. Use plastic sorting and recycling systems where they are locally available, otherwise incinerating plastic has the added benefit of generating energy, which can be used for, for example, combined heat and power production.
Polyurethane	Like other plastics, polyurethane can be recycled in two primary ways: mechanical recycling, in which the material is reused in its polymer form, and chemical recycling that takes the material back to its various chemical constituents.
Electronics	The electronic components should be collected separately and returned to the designated recycling service.

en