



PRESSALIT®



Pressalit 3000 Fixed Height Changing Table User Guide



Child Size

R8435313301

EAN: 5708590374024

Previous version:

R8523, R8503

(Graphite Gray)

R8435313299

EAN: 5708590374017

Previous version:

R8523, R8503

(Sapphire Blue)

Adult Size

R8435318301

EAN: 5708590374048

Previous version:

R8523, R8503

(Graphite Gray)

R8435318299

EAN: 5708590374031

Previous version:

R8523, R8503

(Sapphire Blue)

MAX-Ability, Inc.
info@max-ability.com
800 577-1555

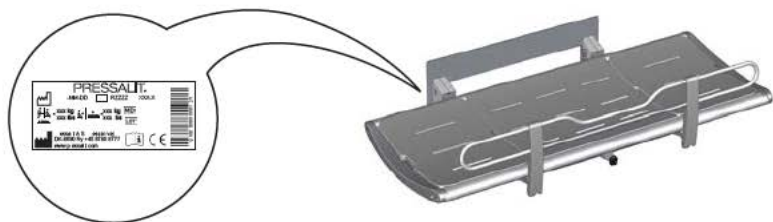
REF



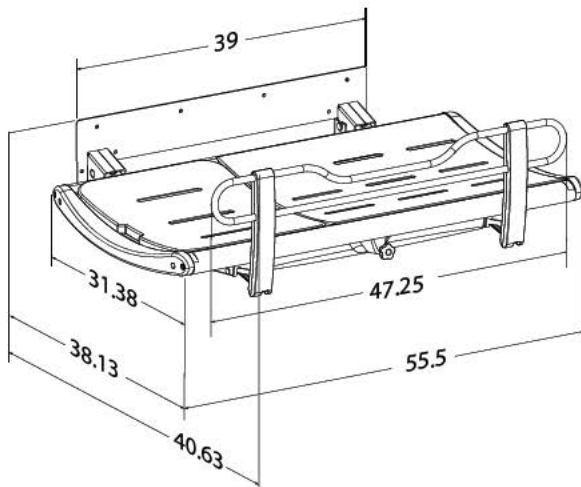
R8435313



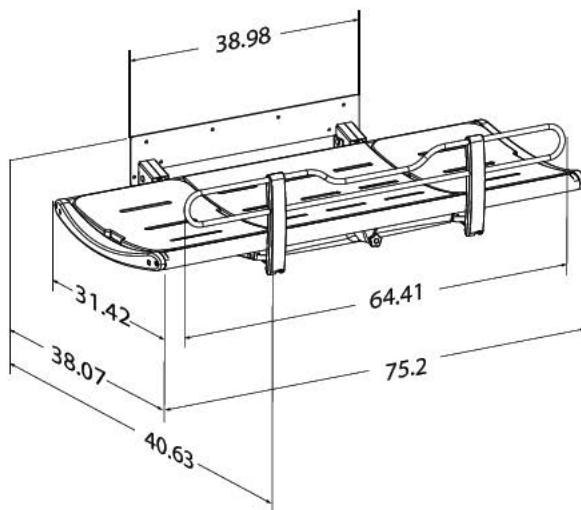
R8435318



inch



R8435313



R8435318



The guarantee covers faults or defects in material or manufacture within a period of 5 years. Products are subject to minor technical modifications and design deviations. E.&O.E.

en

Mounting instruction



A mounting instruction is included with the product. It can also be downloaded from www.pressalit.com.

Operational signage



An operational signage can be downloaded from www.pressalit.com.

Original instructions

General safety

WARNING

- Read and understand the manual completely before use. Keep the manual close to the unit.
- Comply with this manual to avoid accidents involving serious personal injury.
- Never use or handle this product in other ways than are specified in this manual, as this can put your safety at risk and cause damage to the product.
- Make sure that everyone who is to install or use the product and its systems has the necessary information and access to this manual.

CAUTION

- Please comply with these instructions to avoid the product becoming damaged or destroyed.
- Do not perform repairs, disassembly, or assembly operations, extensions, re-adjustments or modifications to this product. These must be carried out by MAX-Ability or by persons authorized by MAX-Ability only.
- Never allow children to operate this product unless under supervision. The product is not intended for play.
- Never use the product if it is defective or damaged. Do not use a defective product before it has been repaired.

NOTICE

- The information in this manual is based on correct fitting of the product in accordance with our Assembly instruction.
- Pressalit or MAX-Ability cannot be held liable if the product is used in any way which differs from that described in the guide.
- We reserve the right to amend this manual without prior notice.

Symbols used in this manual

The following symbols are used in this manual as well as the associated documentation supplied with the product.



WARNING indicates a potentially hazardous situation which, if not avoided, could result in death or serious injury.



CAUTION indicates a potentially hazardous situation which, if not avoided, may result in minor or moderate injury. It may also be used to alert against unsafe practices.



IMPORTANT indicates important information about handling and use of the product.



NOTICE is used to address practices not related to personal safety.



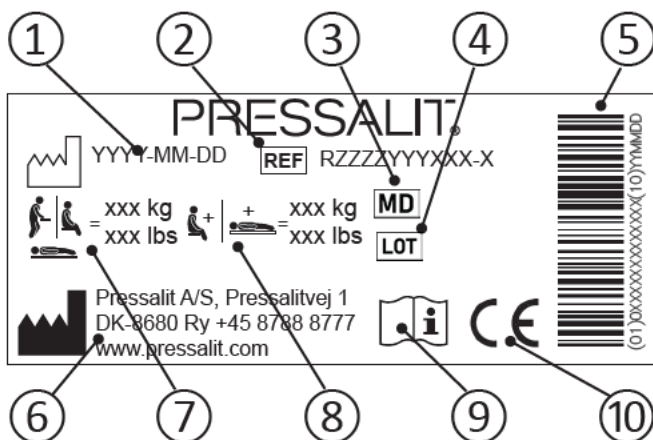
Hand injury warning

Specific safety



- Never leave a person lying on the shower table without supervision.
- Always be careful when moving a person to and from the shower table.

Product label



① Production date

② Article number

③ Medical device

④ Batch code

⑤ GS1-128 barcode

⑥ Name and address of manufacturer

⑦ Maximum user weight

⑧ Max load

⑨ Consult manual for use

⑩ These products are CE-marked in accordance with relevant requirements in:

- Regulation (EU) 2017/745 (5 April 2017) on medical devices.
 - Council Directive 2006/42/EC (of 17 May 2006) on machinery.
- A declaration of conformity can be found at www.pressalit.com.

Intended use

This product is intended for bathing a person who is unable to stand up or sit down. The person is lying horizontally on the table.

Intended operator profile

The product is to be used by personnel trained in health care and trained in washing a person in their care.

Intended user profile

The product can be used by all - adults, children, young, old, whose weight does not exceed the **maximum load of 200 kg.**

Operating environment

For indoor use in a wet environment, such as a bathroom or wash room. The product is intended to be used at room temperature, in private homes, nursing homes and hospitals under normal working conditions.

en



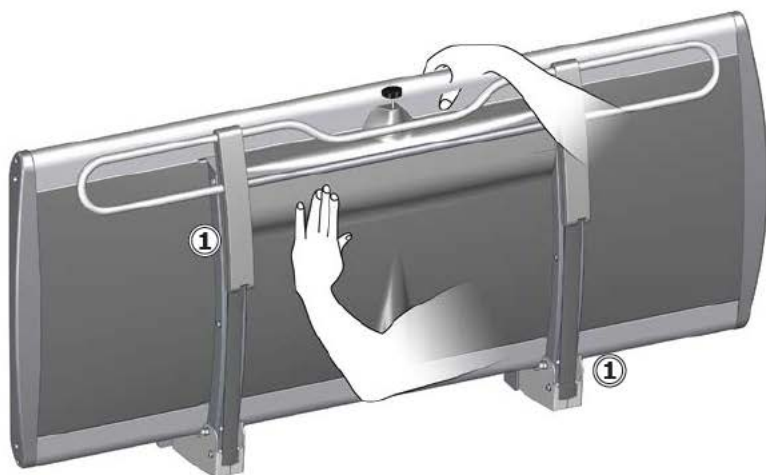
CAUTION

The surface of the product may become hot and / or cold if exposed to external sources of heat or cold (eg sunlight or frost).

NOTICE

Any serious incident that has occurred in relation to the product should be reported to the manufacturer and the health authorities.

Operating instructions



Support the shower table using your hand or body when folding it down, to avoid the risk of damage.

The built-in gas cylinders make it easy to fold the shower table up against the wall after use.

en

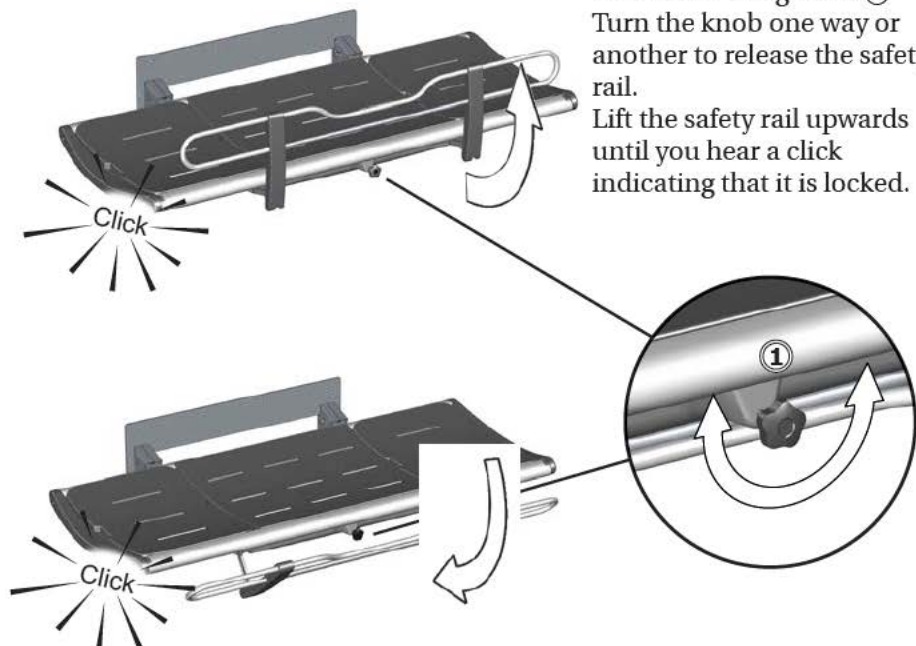


Take care to avoid injury to hands when in the vicinity of closing mechanical parts ①.

To pull the safety rail up:

Turn the locking knob ①
Turn the knob one way or another to release the safety rail.

Lift the safety rail upwards until you hear a click indicating that it is locked.



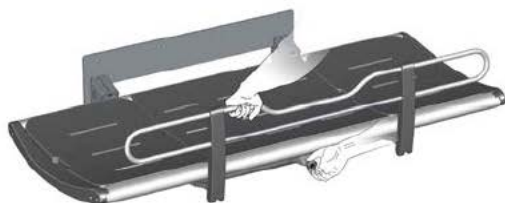
en

To fold the safety rail away:

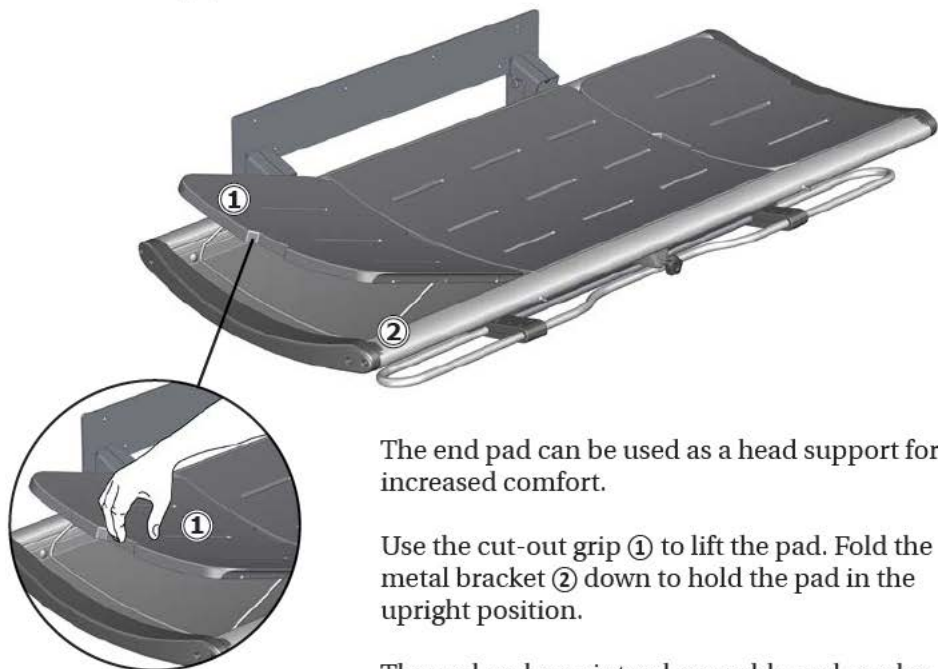
Turn the locking knob ① Turn the knob one way or another to release the safety rail. Push the safety rail back to the underside of the table until you hear a click indicating that is is locked.

NOTICE

If the locks does not release when turning the release knob, gently lift the rail, to take the weight off the locking mechanism. This will ensure the release of the locks.



Head support



The end pad can be used as a head support for increased comfort.

Use the cut-out grip ① to lift the pad. Fold the metal bracket ② down to hold the pad in the upright position.

The end pads are interchangeable and can be placed at either end of the table.

en

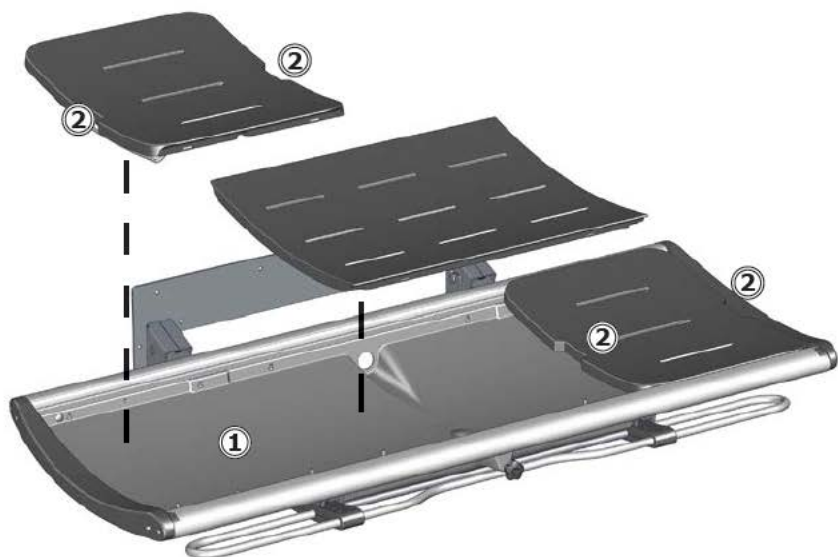


CAUTION

Never let a person lie on the shower table without the pads in place. The tray under the pads is for water collection only. It is not to be used as a bathtub. Risk of user injury and damage to product.

Cleaning

Clean the shower table after each use. Use ordinary soapy water. Rinse off with fresh water and dry with a soft cloth.



en

Do not leave the pads soaked in water. Remove the pads and dry the water collection tray ①. Use the cut-out grips ② when lifting the pads.

To remove limescale

To remove limescale marks on the aluminium parts, use 3 parts 30% household vinegar to 7 parts water and afterwards wipe the parts with a cloth wrung out in clean water.

In countries with relatively high levels of lime in the water supply, it may be necessary to remove limescale deposits from the aluminium parts using a de-scaling agent such as acetic acid. Test this first on an area that is not visible when the table is in use.

The product is to be cleaned with hot water or a mild soapy cleaning agent. A list of suitable cleaning agents tested by Pressalit can be found on www.pressalit.com.

 **CAUTION**

Always read the material safety data sheet (MSDS) and supplied instructions of the cleaning, disinfecting or de-scaling agent and comply with instructions for safe use, dilution, rinsing, drying, handling and storage of the agent.

IMPORTANT

- Do not use an autoclave or other type of steam cleaner.
- Avoid aggressive cleaning agents containing acids
- Never spray the product directly with a high pressure cleaner.
- Avoid use of abrasive, corrosive or chlorine-based cleaning or disinfecting products.

en

Disinfection

When using the shower table for multiple patients, it is necessary to both clean and disinfect the shower table between uses on different patients to prevent the risk of cross infection.

NOTICE

If the product is installed in an atmosphere heavy in salt or chloride, the warranty of the shower table will be reduced from the normal 3 years to 1 year.

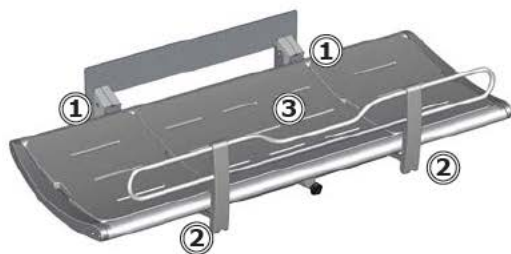
Salt and chloride have a corrosive effect on the products components and will cause a decrease in the life expectancy of the product. The damaging effects can, however, be reduced if the product is showered with tap water on a daily basis.

Maintenance

Expected service life of the shower table is 10 years, provided that maintenance is carried out as described below:

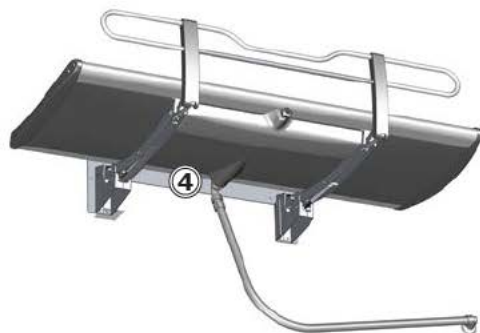
It is recommended that maintenance inspection is done one a year.

Maintenance inspection



- Check the hinges ① on the table and the safety rail ②. Tighten if necessary.
- Check the pads ③ for damage and replace if necessary.

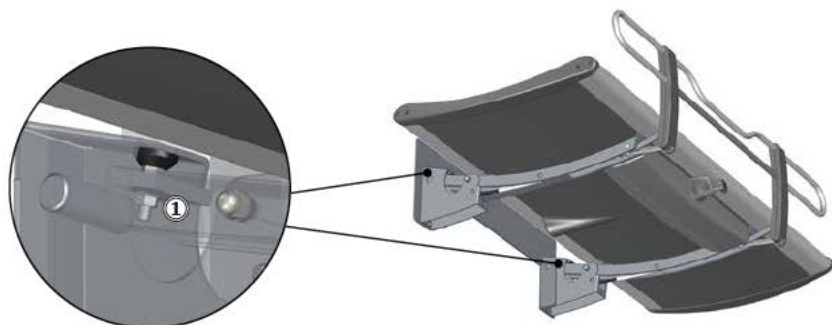
en



- Check the drain pipe connections ④, and check and clean the water trap (if fitted).

Trouble-shooting

Symptom	Cause	Action
The shower table does not stay in upright position.	One or more gas cylinders are defective.	Contact Pressalit A/S or your local dealer.
The water does not run out of the water collection tray.	Adjustment screws too high or too low.	Adjust the adjustment screws ①.



Technical data

en

Max load	200 kg / 440 lbs
Materials	Powder-laquered stainless steel Aluminium Plastics Mattress surface: Polyurethane foam
Dimensions (width x length)	R8435313: 967 x 1410 mm / 38.07 x 55.51 inches
	R8435318: 967 x 1910 mm / 38.07 x 75.19 inches
Weight	R8435313: 58,31 kg / 128.55 lbs
	R8435318: 64,10 kg / 141.31 lbs

Disposal and recycling

The unit contains reusable materials. There are no known hazards or risks associated with disposal of the product. All components can be discarded after having been cleaned and disinfected.

When disposing of the product, we recommend that it be disassembled and broken down into different waste groups for recycling or combustion.

The following table provides information on the recycling and handling of the product.

Recyclable components	Material
Aluminium	Aluminium is theoretically 100% recyclable without any loss of its natural qualities. It requires only 5% of the energy used to produce primary aluminium. The quality of recycled aluminium is so high that it can be used again and again, even in the case of anodised products as the anodised layer is a natural part of the aluminium.
Steel	Steel can be recycled by being re-melted and included as a secondary material in the production of new steel.
PVC and polystyrene	Hard PVC is granulated and re-melted. Use plastic sorting and recycling systems where they are locally available, otherwise incinerating plastic has the added benefit of generating energy, which can be used for, for example, combined heat and power production.
Polyurethane	Like other plastics, polyurethane can be recycled in two primary ways: mechanical recycling, in which the material is reused in its polymer form, and chemical recycling that takes the material back to its various chemical constituents.

en