

VersaMini Restroom Changing Table

User Manual

SKU: R8455512000

EAN: 5708590376585

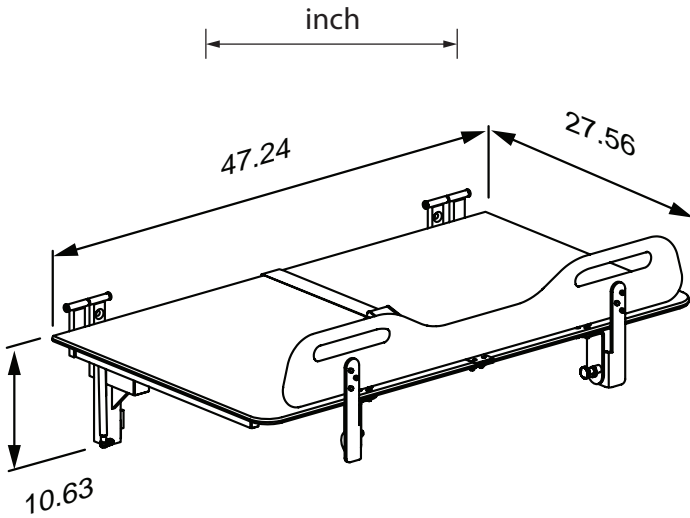


max-ability.com



The guarantee covers faults or defects in material or manufacture within a period of 5 years. Products are subject to minor technical modifications and design deviations. E.&O.E.

info@max-ability.com 800.577.1555



Content

Mounting instruction	5
Symbols used in this manual	6
General safety	7
Product label	8
Intended use	9
Intended user profile	9
Operating environment	9
Contraindications for use	9
Operating instructions	10
The safety rail	11
Cleaning	13
Maintenance	14
Maintenance inspection	14
Trouble-shooting	15
Technical data	15
Disposal and recycling	15

Mounting instruction



A mounting instruction is included with the product. It can also be downloaded from pressalit.com.

Symbols used in this manual

The following symbols are used in this manual as well as the associated documentation supplied with the product.



WARNING indicates a potentially hazardous situation which, if not avoided, could result in death or serious injury.



CAUTION indicates a potentially hazardous situation which, if not avoided, may result in minor or moderate injury. It may also be used to alert against unsafe practices.



IMPORTANT indicates important information about handling and use of the product.



NOTICE is used to address practices not related to personal safety.



Hand injury warning



Compatible products



Product weight



Max user weight

General safety

WARNING

- Read and understand the manual completely before use. Keep the manual close to the unit.
- Comply with this manual to avoid accidents involving serious personal injury.
- Never use or handle this product in other ways than are specified in this manual, as this can put your safety at risk and cause damage to the product.
- Make sure that everyone who is to install or use the product and its systems has the necessary information and access to this manual.

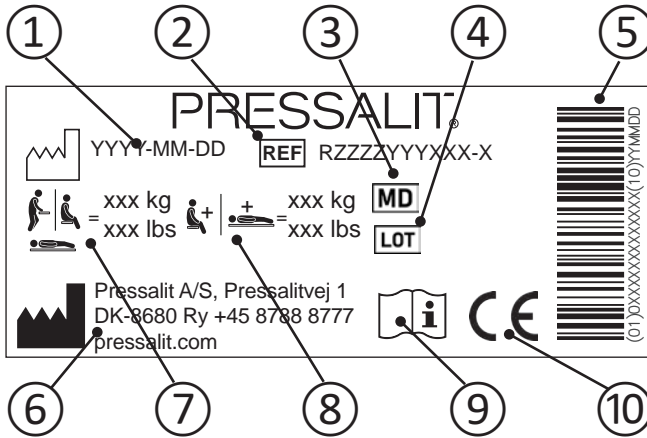
CAUTION

- Please comply with these instructions to avoid the product becoming damaged or destroyed.
- Do not perform repairs, disassembly, or assembly operations, extensions, re-adjustments or modifications to this product. These must be carried out by Pressalit or by persons authorized by Pressalit only.
- Never allow children to operate this product unless under supervision. The product is not intended for play.
- Never use the product if it is defective or damaged. Do not use a defective product before it has been repaired.

NOTICE

- The information in this manual is based on correct fitting of the product in accordance with our mounting instruction.
- Pressalit cannot be held liable if the product is used in any way which differs from that described in the guide.
- We reserve the right to amend this manual without prior notice.

Product label



- ① Production date

- ② Article number

- ③ Medical device

- ④ Batch code

- ⑤ GS1-128 barcode

- ⑥ Name and address of manufacturer

- ⑦ Maximum user weight

- ⑧ Max load

- ⑨ Consult manual for use

- ⑩ These products are CE-marked in accordance with relevant requirements in regulation (EU) 2017/745 (5 April 2017) on medical devices.
A declaration of conformity can be found at pressalit.com

Intended use

This product is intended for partly self-reliant user while getting dressed.

Intended user profile

The product can be used by all - adults, children, young, old, whose weight does not exceed the **maximum load of 150 kg / 331 lbs.**

Operating environment

The product is intended to be used at room temperature in private homes, nursing homes and hospitals under normal working conditions.

Contraindications for use

Use of the change table is not recommended for patients with infusion or insulin pump, inflammatory skin diseases or patients in feverish conditions.

Patients with cardiac insufficiency, cardiovascular diseases, craniocerebral injury, open wounds, feed or drain lines (e.g. catheter, drainage tube) may use the change table only after consulting with the attending physician.

Do not use if the patient's weight exceeds 150 kg / 331 lbs.

en



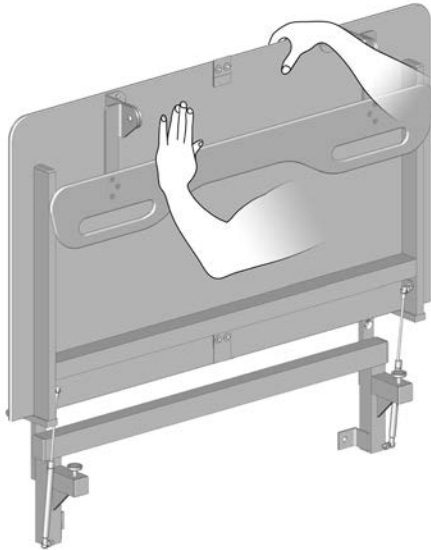
CAUTION

The surface of the product may become hot and / or cold if exposed to external sources of heat or cold (e.g. sunlight or frost).

NOTICE

Any serious incident that has occurred in relation to the product should be reported to the manufacturer and the health authorities.

Operating instructions



en

Support the bench using your hand or body when folding it down, to avoid the risk of damage.

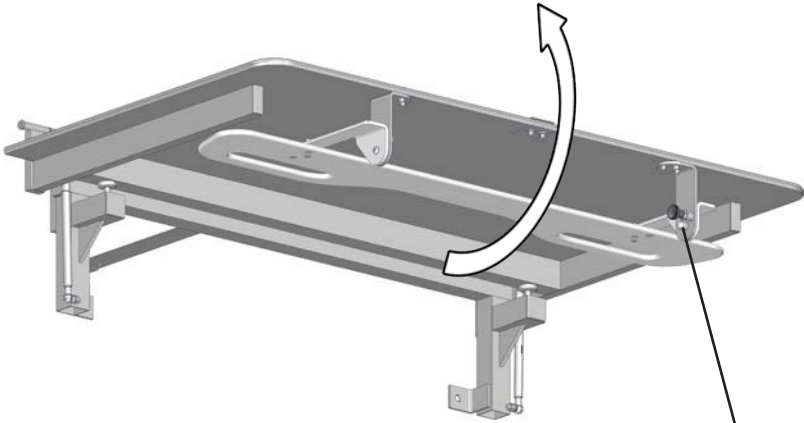
The built-in gas cylinders make it easy to fold the table up against the wall after use. Be sure to fold the safety rail away first.

Bælte

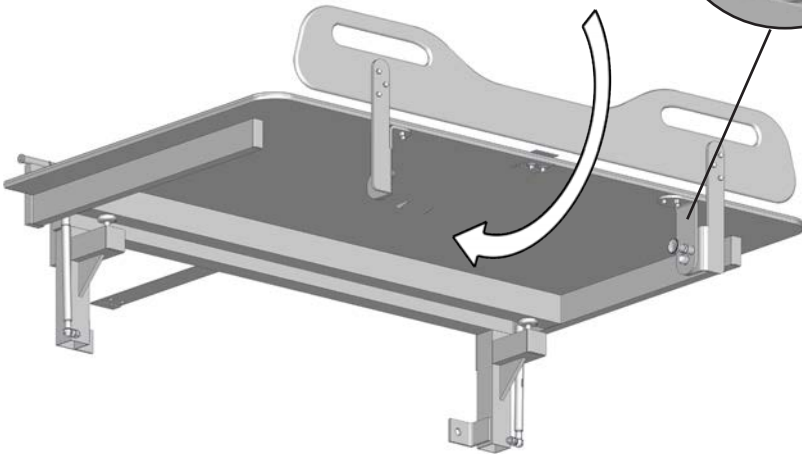
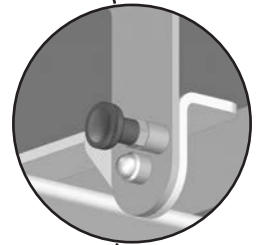


Take care to avoid injury to hands when in the vicinity of moving mechanical parts.

The safety rail

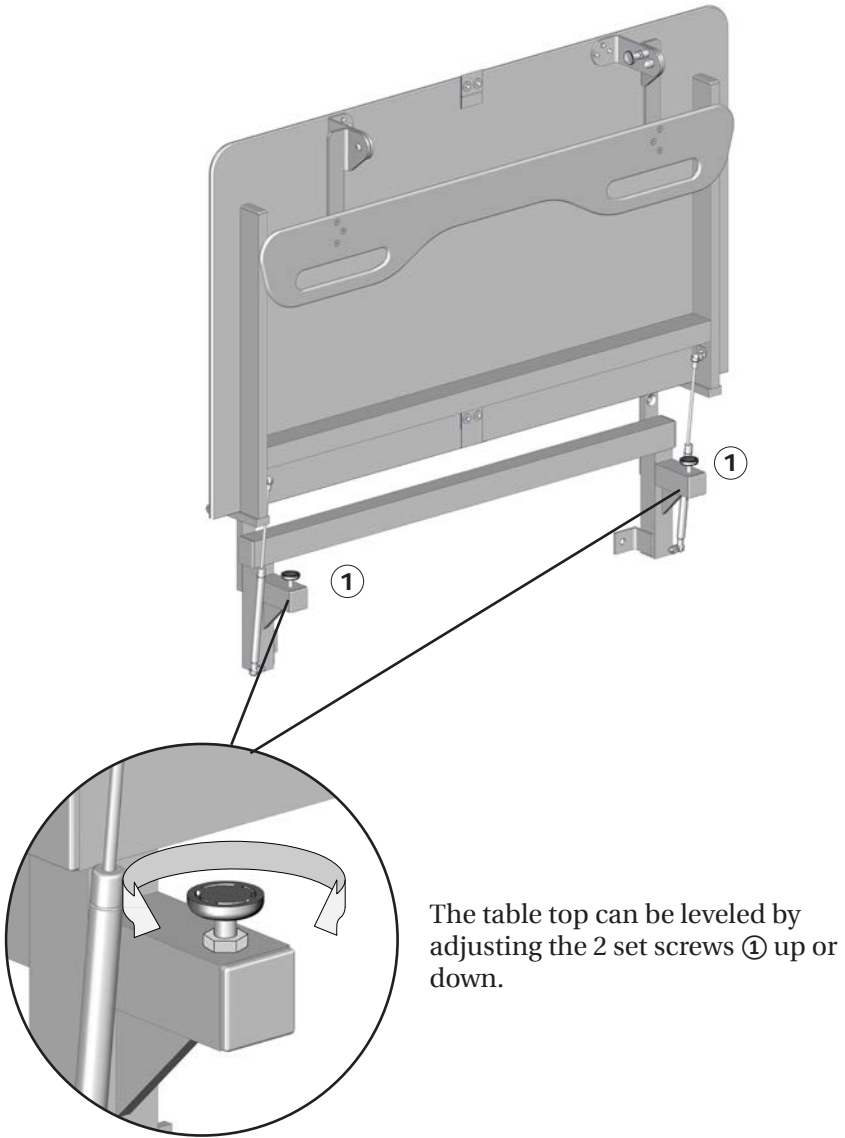


To pull the safety rail up: Release the lock and pull the safety rail from the underside of the table, and swing it upwards. The safety rail will automatically lock into position.



To fold the safety rail away: Release the lock and swing the safety rail down to the underside of the table. The safety rail will automatically lock into position.

en



Cleaning

Clean the change table after each use. Use ordinary soapy water. Rinse off with fresh water and dry with a soft cloth. Wipe off any water on the bench surface.

IMPORTANT

- Do not use an autoclave or other type of steam cleaner.
- Avoid aggressive cleaning agents containing acids or chloride.
- Never spray the change table directly with a high pressure cleaner.
- Avoid use of aggressive, abrasive, corrosive or chloride-based cleaning or disinfecting products.

CAUTION

Always read the material safety data sheet (MSDS) and supplied instructions of the cleaning, disinfecting or de-scaling agent and comply with instructions for safe use, dilution, rinsing, drying, handling and storage of the agent.

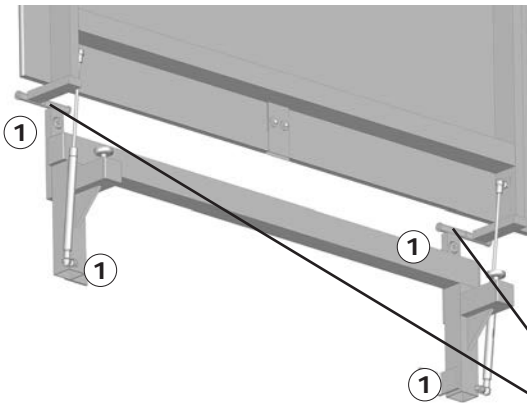
en

Maintenance

Expected service life of the change table is 10 years, provided that maintenance is carried out as described below:

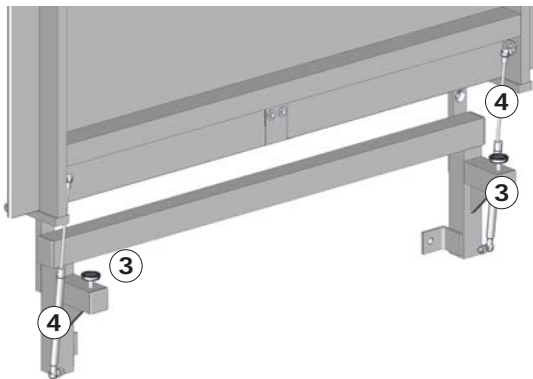
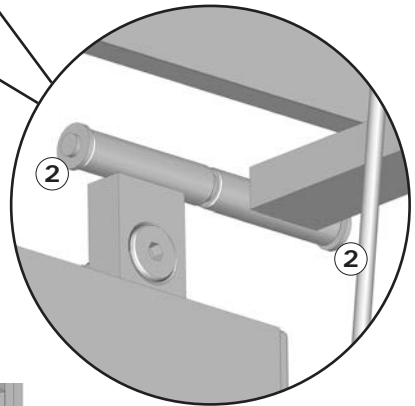
It is recommended that service inspection is done once a year.

Maintenance inspection



Check the 4 wall mounting screws ① and re-tighten if necessary.

Make sure that the star lock washers ② are firmly attached to the hinge axles.



Check the adjustment of the 2 set screws ③.

Check the gas cylinders ④ for wear.

Trouble-shooting

Symptom	Cause	Action
The change table does not stay in upright position.	Gas cylinder is defective.	Contact Pressalit A/S or your local dealer.
The change table top is not level.	The set screws are too high/low.	Adjust the set screws.
	The set screws are defective.	Contact Pressalit A/S or your local dealer.
The star lock washers are loose or fallen out.	The axle can push them out over time	Use a hammer to put the lock washers back in place. Replacement star lock washers can be ordered, article no. LB3502

Technical data

Materials	Powder-lacquered stainless steel, Melamine
-----------	--

Disposal and recycling

The unit contains reusable materials. There are no known hazards or risks associated with disposal of the product. All components can be discarded after having been cleaned and disinfected. When disposing of the product, we recommend that it be disassembled and broken down into different waste groups for recycling or combustion.

Recyclable components	Material
Steel	Steel can be recycled by being re-melted and included as a secondary material in the production of new steel.
Plastics	Use plastic sorting and recycling systems where they are locally available, otherwise incinerating plastic has the added benefit of generating energy which can be used for, for example, combined heat and power production.

en