

## VersaMobile (MCT3) Hi/Low Mobile Changing Table

Perfect for Schools, Private homes or anyplace needing a mobile solution.

Electrically height adjustable with wired remote control

19.7" lifting range, from 17.7" to 37.4".

Completely mobile.

Maximum use weight(MUM): 441lbs.  
Maximum load SWL): 452lbs.

Intuitive, easy-to-use drop down rails with one hand operation

Powder lacquered stainless steel.

Plastics (PVC, Polystyrene).

Compact laminate.

Designed for easy clean-up.

Stain resistant construction.

No removable parts.

No exposed cables.

Secure fittings.

Integrated controls.

Optional mattress available.



Small (66.93" L x 27.56" W)  
SKU: Table : R9662717000  
SKU: Mattress: R842717378

EAN:5708590389981

Medium (74.8" L x 27.56" W)  
SKU: Table :R9662719000  
SKU: Mattress: R842719378

EAN: 5708590389998

- Two fold-down side rails.
- Easy to clean, smooth contact surfaces which do not collect dirt and bacteria.
- Can be moved from room to room for easy transport and multiple users.
- Includes Wired Hand Control

## VersaMobile (MCT3) Hi/Low Mobile Changing Table

2 Sizes

Small: 66.93L x 27.6 W

Medium: 74.8"L x 27.6W)

Lifting range: 19.7": from 7.7" to 37.4"

Maximum user weight (MUM): 441 lbs.

Maximum load (SWL): 452 lbs.

(User weight + accessories)

The maximum load is to be understood as the total safe working load of the product, including both the weight of the user, and the weight of the mattress

This product has been tested statically with a load of 1130lbs as the IEC60601-1 standard requires testing with a safety factor 2.5

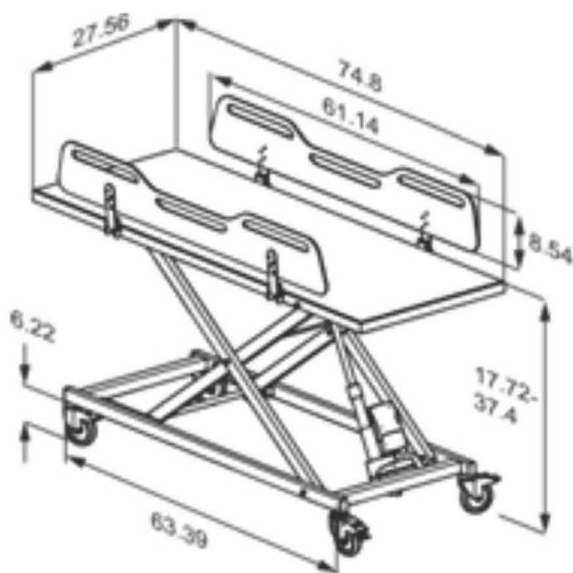
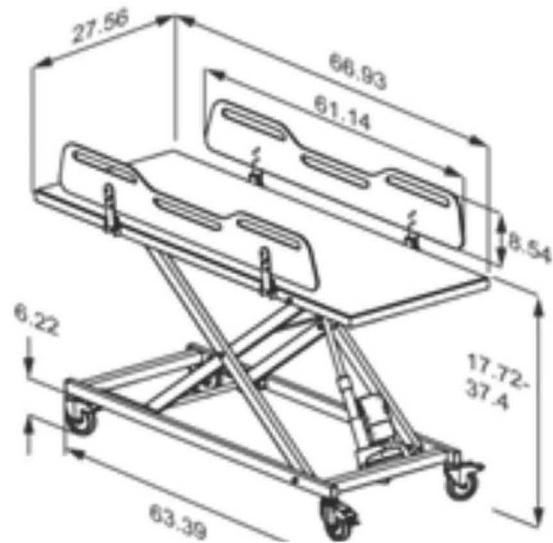
Operates at 24v / 1amp via 120v wall outlet.

Integrated transformer and US 8' power cord included.

Linak liquid tight actuator and control system.

Noise level: 48 decibel. Whisper quiet.

All components, including hand control, are sealed, waterproof, and UL listed.



### Recycling Information:

#### [See User's Guide](#)

Product price and shipping discount when purchasing multiple units.

[Limited five year warranty.](#)

Exceptional service since 1993.

Complete online pricing and quote requests.

**Go beyond ADA. Take Abilities to the MAX !!**