



Pressalit Adjustable Support Arm / Grab Bar Product Details

Features:

Three versions:

- **Plus:** Vertical + Horizontal adjustment for maximum care options.

[\(Wall track sold separately\)](#)

- **Flex:** Vertical adjustment.
- **Fixed:** Stationary mount.

Folds to save space.

Soft, warm feel. Quick, easy cleaning.

Intuitive adjustment. No tools needed.

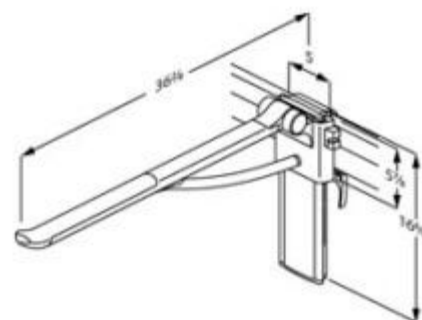
Use with standard or elongated toilets.

Elegant Danish design. Sturdy, reliable components.

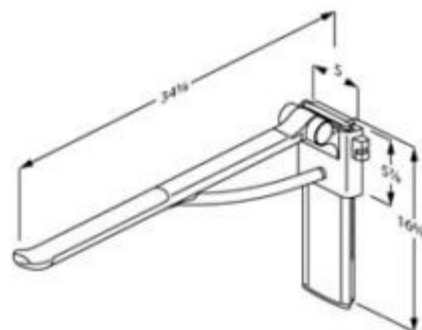
Dimensions:

Height adjustment range: 9.5"

Projection from wall:

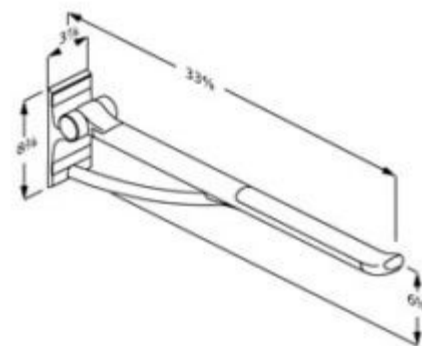


Plus Support Arm/Grab Bar dimensions



Flex Support Arm Grab Bar dimensions

- **Plus:** Unfolded: 36.2"; Folded: 10.25"
SKU: R391485 (Right); R391385 (Left)
- **Flex:** Unfolded: 34.6"; Folded: 8.5"
SKU: R370485 (Right); R370385 (Left)
- **Fixed:** Unfolded: 33.5"; Folded: 7.25"
SKU: R360085



See installation drawings for additional dimensions.

Construction: Support Arms: 3/8" anodized aluminum, non-slip soft SEBS gripping surface, glass-reinforced nylon core
Hinge Arm: soft SEBS (Styrene-ethylene-butylene-styrene)
Internal components, fasteners: primarily stainless steel.

Fixed Support Arm/Grab Bar dimensions

Weight Capacity: 331 lbs

Product Weight: Plus: 15.25 lbs
Flex: 9.59 lbs
Fixed: 6.94 lbs

Availability: Sold throughout the United States.

Delivery: 2-3 weeks.

Warranty: Five years limited warranty on parts; one year on labor.
[See our complete warranty and other policies here.](#)

[Plus Installation Drawing](#)
[Flex Installation Drawing](#)
[Fixed Installation Drawing](#)

[User Manual](#)

[Plus Downloadable CAD Drawing](#)
[Plus Downloadable BIM Drawing](#)

[Flex Downloadable CAD Drawing](#)
[Flex Downloadable BIM Drawing](#)

[Fixed Downloadable CAD Drawing](#)
[Fixed Downloadable BIM Drawing](#)

Complete Specifications & Submittal Information:

See Installation Drawings and User Manual

Discount: Product price and shipping discount when purchasing multiple units. Call for details.
800.577.1555

Subject to change. Published Feb 2023

Access Your World

MAX-Ability offers complete restroom solutions that provide comfort, safety, and dignity to wheelchair users and caregivers, including ergonomic adjustable changing tables, sinks, toilets, and shower seats for total accommodation for everyone. Call us today and access your world!

1.800.577.1555



Customer Service

[Purchasing & Payment Methods](#)

[Delivery / Returns / Warranty](#)

[Privacy Policy](#)

[Terms and Conditions](#)

Resources

[Product Manuals](#)

[Installation Drawings](#)

[Internet Resources](#)

[Architects Resources \(inc. Specs/CAD\)](#)

Connect with us

f L U 1



All rights reserved. Copyright 2023 © **MAX-Ability, Inc.**

MAX-Ability provides special needs equipment to consumers and businesses in the USA and Canada