



Pressalit AquaMax Shower Trolley Product Details

Height adjustable, mobile shower trolley

Comfortable, safe shallow bathing / personal cleansing for bedridden, immobile users.

Tilts for easy water removal.

Access all four sides for complete care / cleansing.

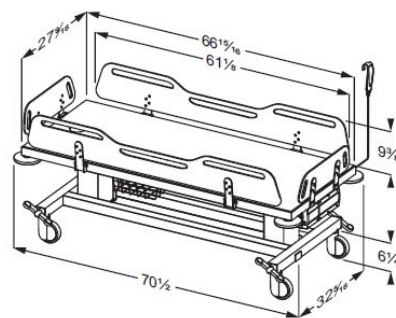
All components, including hand control, are sealed, waterproof, and UL listed.

Thoughtful, thorough Danish design.

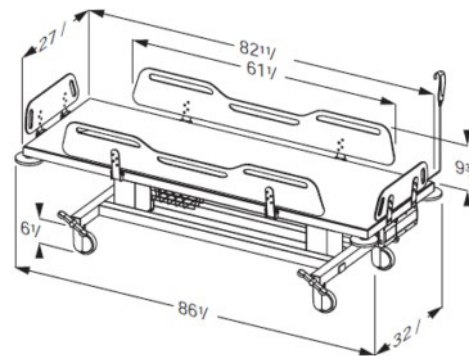
Features:

Dimensions:

SIZE	INNER DIMENSIONS	EXTERNAL DIMENSIONS	SKU/MODEL
Adult	26" wide x 65.5" long (Mattress interior)	32.25" wide x 70.5" long (including bumpers)	R9464717000- R844717304 (Pearl Gray Mattress)
			R9464717000- R844717302 (Pewter Gray Mattress)
Extra Long	26" wide x 81.25" long (Mattress interior)	32" wide x 86" long (including bumpers)	R9464721000- R844721304 (Pearl Gray Mattress)
			R9464721000-



Dimensions for Adult Size Shower Trolley



Dimensions for Extra Long Shower Trolley

[AquaMax User Manual](#)

interior) bumpers) R844721302
(Pewter Gray
Mattress)

[Mattress Installation](#)

[Adult Size Downloadable CAD
Drawing](#)

[Adult Size Downloadable BIM
Drawing](#)

[Extra Long Downloadable CAD
Drawing](#)

[Extra Long Downloadable BIM
Drawing](#)

Construction:

Corrosion-resistant lightweight frame.
Wire baskets, rotating bumpers.
Two enclosed lifting columns: hygienic, stable, esthetic.
Cut-out grips at each end for ergonomic transit.

Mattress:

- Comfortable, padded, waterproof, removable
- Mattress depth: 6.25"
- Welded seams are water-tight.
- Includes drain fitting, hose, and plug.
- Peripheral drainage channel for quick water release.
- Optional waterproof neck/head support also available.

Four caster hygienic wheels appropriate for hospital use.

Brakes:

- Single step activator locks/unlocks all four wheels.
- Non-slip surface

All materials coming in contact with skin is biocompatible.

Expected service life: 10 years

Battery:

Lithium Ion battery

Wired hand control

Wall-mounted battery charger; mounting instructions included with product.

Up to 30 uses per full charge.

Full charge: 3-4 hours

Low battery warning beep. Standby mode if not used for 7 days.

Battery weight: 2.2 lbs

Battery Capacity: 2.25Ah

Actuator: BL1 (Linak) IPX6

Control Box: COBO / CU20 (Linak) IPX6

Wired Control: HB30 (Linak) IPX6

Power Consumption: 100W (Max load)

Submittal Info
Spec Sheet
(pdf)



Find architectural resources

Battery and charger: IPX5 (resists a sustained, low-pressure water jet spray)
Optional additional (spare) battery also available.

UL approved electrics

Weight Capacity: 440 lbs (Max user mass); 550 lbs (Safe working load — includes water)

Product Weight: Adult Size: 235 lbs

Extra Long: 245 lbs

Availability: Sold throughout the United States

Delivery: 4 weeks

Discount: Product price and shipping discount when purchasing multiple units. Call for details.
800.577.1555

Warranty: Five years limited warranty on parts; one year on labor.

[See our complete warranty and other policies here.](#)

Subject to change. Updated May 2023.

Access Your World

MAX-Ability offers complete restroom solutions that provide comfort, safety, and dignity to wheelchair users and caregivers, including ergonomic adjustable changing tables, sinks, toilets, and shower seats for total accommodation for everyone. Call us today and access your world!

1.800.577.1555



Customer Service

Purchasing & Payment Methods

Delivery / Returns / Warranty

Privacy Policy

Terms and Conditions

Resources

Product Manuals

Installation Drawings

Internet Resources

Architects Resources (inc. Specs/CAD)

Connect with us



All rights reserved. Copyright 2023 © **MAX-Ability, Inc.**

MAX-Ability provides special needs equipment to consumers and businesses in the USA and Canada