



Pressalit Care Custom Plus Adjustable Wash Basin Product Details

Features: You choose the best configuration for your accommodation.

Sink bracket mounts to wall track (not included) for horizontal as well as vertical movement

Adjustment preference: electric, pneumatic, or manual.

Two sink selections: Ergonomic Curved or upgrade to Square Sink with Hand Grips.

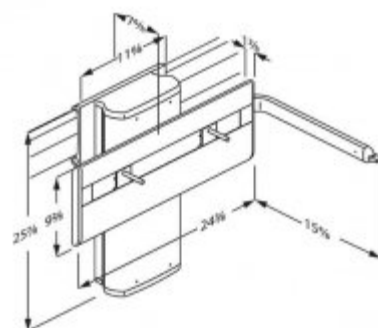
Choose your faucet; both with anti-scald features:

- Ergonomic long-handled chrome.
- Touchless sensor.

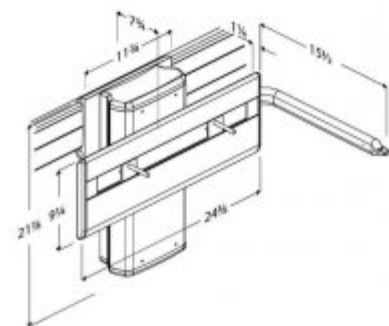
Sturdy, reliable components.

Flexible feed kit and drain fittings included.

Beautiful design.



Powered Bracket with Lever (R4780)



Pneumatic-Assist Bracket (R4680)

Dimensions: **Brackets:** See dimension drawings for specifics.

Adjustment range:

- Powered/Pneumatic: 11.8"
- Manual: 9.5"

Sink Basins:

MODEL	DIMENSIONS	WEIGHT	MAX LOAD
Ergonomic Curved Sink (R2050)	23.6" x 19.3" x 7.5"	36.5 lbs	440 lbs
Square Sink with Hand Grips (R2020)	22.6" x 17.7" x 5.1"	46.75 lbs	440 lbs

Construction:

Sinks: Ergonomic Curved Sink (R2050): Ceramic; Square Sink with Hand Grips (R2020): Cultured marble with a high-polished, nonporous sanitary gel coating.

Wall brackets: Anodized aluminium; bracket covers are capped with ABS polymer.

Flexible Feed: SPX plastic, braided with stainless steel; connecting 3/8" brass nuts; 3/8" copper pipe.

Waste Pipe: Flexible, corrugated white 1.3" dia PVC; PP (polypropylene) elbow with removable connector sealed with TPE (thermoplastic elastomer).

Faucet: Chromium-plated brass

Mounting hardware included.

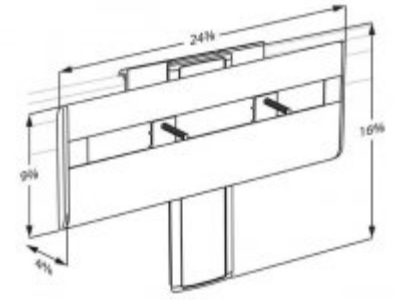
Flexible drain certified by IAMPO Research & Testing Inc.

Meets National Plumbing code.

Electrical:

Powered Adjustments Only:

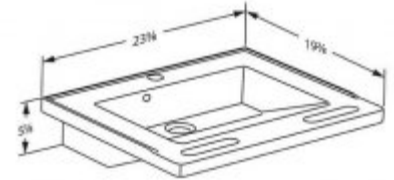
- Maintenance free motor.
- Liquid tight Linak control system.
- Built-in transformer.
- 24v/1amp via 120 GFI wall outlet
- 110 Volt and 3,9 Amp gives 390 Watts



Manual Bracket (4580)



Ergonomic Curved Sink (R2050000)



Square Sink with Hand Grips (R2020000)

Installation Drawings:

Coming Soon:

- Electric Adjustment
- Pneumatic Adjustment
- Manual Adjustment
- (Call us if you need information now.)

Use a licensed contractor or plumber to install the product to avoid personal injury or property damage.

[See our complete warranty and other policies here.](#)

Discount: Product price and shipping discount when purchasing multiple units.
Call for details. 800.577.1555

Subject to change. Last updated May 2023.

Access Your World

MAX-Ability offers complete restroom solutions that provide comfort, safety, and dignity to wheelchair users and caregivers, including ergonomic adjustable changing tables, sinks, toilets, and shower seats for total accommodation for everyone. Call us today and access your world!

1.800.577.1555



Customer Service

[Purchasing & Payment Methods](#)

[Delivery / Returns / Warranty](#)

[Privacy Policy](#)

[Terms and Conditions](#)

Resources

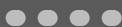
[Product Manuals](#)

Installation Drawings

Internet Resources

Architects Resources (inc. Specs/CAD)

Connect with us



All rights reserved. Copyright 2024 © **MAX-Ability, Inc.**

MAX-Ability provides special needs equipment to consumers and businesses in the USA and Canada