



Pressalit Custom Flex Adjustable Sink Product Details

Features: You choose the best configuration for your accommodation.

Adjustment preference: electric, pneumatic, or manual.

Two sink selections: Ergonomic Curved or upgrade to Square Sink with Hand Grips.

Choose your faucet; both with anti-scald features:

Ergonomic long-handled chrome.

Touchless sensor.

Sturdy, reliable components.

Flexible feed kit and drain fittings included.

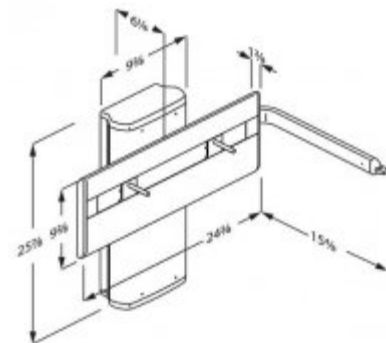
Beautiful design.

Dimensions: **Brackets:** See dimension drawings for specifics.

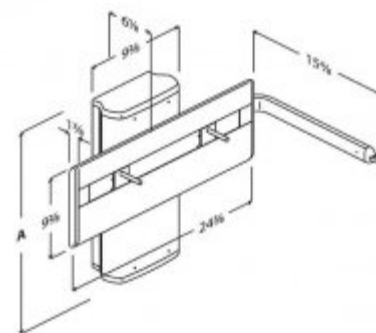
Adjustment range:

- Powered/Pneumatic: 11.8"
- Manual: 9.5"

Sink Basins:

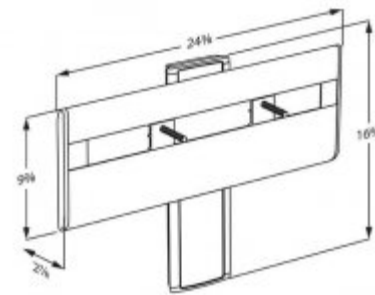


Powered Bracket with Lever Control (R4750-93)



Pneumatic-Assist Bracket (R4650)

MODEL	DIMENSIONS	WEIGHT	MAX LOAD
Ergonomic Curved Sink (R2050)	23.6" x 19.3" x 7.5"	36.5 lbs	440 lbs
Square Sink with Hand Grips (R2020)	22.6" x 17.7" x 5.1"	46.75 lbs	440 lbs



Manual Bracket (R4550112)

Construction:

Sinks: Ergonomic Curved Sink (R2050): Ceramic; Square Sink with Hand Grips (R2020): Cultured marble with a high-polished, nonporous sanitary gel coating.

Wall brackets: Anodized aluminium; bracket covers are capped with ABS polymer.

Flexible Feed: SPX plastic, braided with stainless steel; connecting 3/8" brass nuts; 3/8" copper pipe.

Waste Pipe: Flexible, corrugated white 1.3" dia PVC; PP (polypropylene) elbow with removable connector sealed with TPE (thermoplastic elastomer).

Faucet: Chromium-plated brass

Flexible drain certified by IAMPO Research & Testing Inc.

Meets National Plumbing code.



Ergonomic Curved Sink (R2050000)

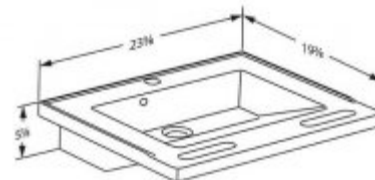
Electrical:

Powered Adjustments Only:

Maintenance free motor.
Liquid tight Linak control system.
Built-in transformer.

24v/1amp via 120 GFI wall outlet
110 Volt and 3,9 Amp gives 390 Watts

Effect(P) = Volt (U) x Ampere (I)
390 VA (Watt) = 110 V X 3,9 A
390 Watt which is the maximum effect; power consumption is approximately 0 when not in use.



Square Sink with Hand Grips (R2020000)

Installation Drawings:
[Installation Drawing — Powered Adjustment](#)

Coming Soon:
Pneumatic Adjustment
Manual Adjustment
(Call us if you need information now.)

Complete Specifications & Submittal Information:

Faucet: Ergonomic Long-handled

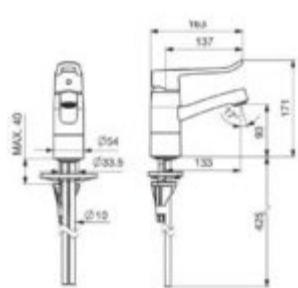
Faucet:

- Rotatable spout
- Ring-shaped operating lever
- Water-saving Eco-effect: Choice of moderate flow or full flow. (Preset to moderate)

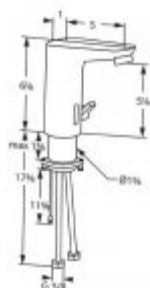
Touchless Sensor Faucet:

- Temperature adjustment
- Battery-operated (6V)
- Flow controller (5 l/min.)
- Infrared sensor technology

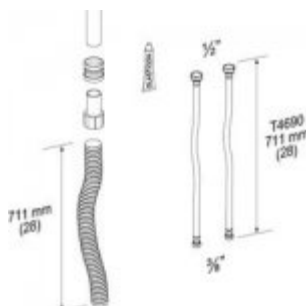
Both models include anti-scald features.



Loop Handle; Long Spout
RT624



Touchless Sensor Faucet
RT632



Flexible Feed Kit (R2085)

[See Installation Drawings](#)

Use a licensed contractor or plumber to install the product to avoid personal injury or property damage.

[Sink Bracket – Powered Adjustment CAD](#)

[Sink Bracket – Powered Adjustment BIM](#)

[Sink Bracket – Pneumatic Adjustment CAD](#)

[Sink Bracket – Pneumatic Adjustment BIM](#)

[Sink Bracket – Manual Adjustment CAD](#)

[Sink Bracket – Manual Adjustment BIM](#)

[Ergonomic Curved Sink CAD](#)

[Ergonomic Curved Sink BIM](#)

[Sink with Handholds CAD](#)

[Sink with Handholds BIM](#)

[Touchfree Faucet CAD](#)

Availability: Sold throughout the United States.

Delivery: 2-3 weeks.

Warranty: Five years limited warranty on parts; one year on labor.
[See our complete warranty and other policies here.](#)

Discount: Product price and shipping discount when purchasing multiple units.

Call for details. 800.577.1555

Subject to change. Last updated May 2023.

Access Your World

MAX-Ability offers complete restroom solutions that provide comfort, safety, and dignity to wheelchair users and caregivers, including ergonomic adjustable changing tables, sinks, toilets, and shower seats for total accommodation for everyone. Call us today and access your world!

1.800.577.1555



Customer Service

[Purchasing & Payment Methods](#)

[Delivery / Returns / Warranty](#)

[Privacy Policy](#)

[Terms and Conditions](#)

Resources

[Product Manuals](#)

[Installation Drawings](#)

[Internet Resources](#)

[Architects Resources \(inc. Specs/CAD\)](#)

Connect with us



All rights reserved. Copyright 2024 © **MAX-Ability, Inc.**

MAX-Ability provides special needs equipment to consumers and businesses in the USA and Canada