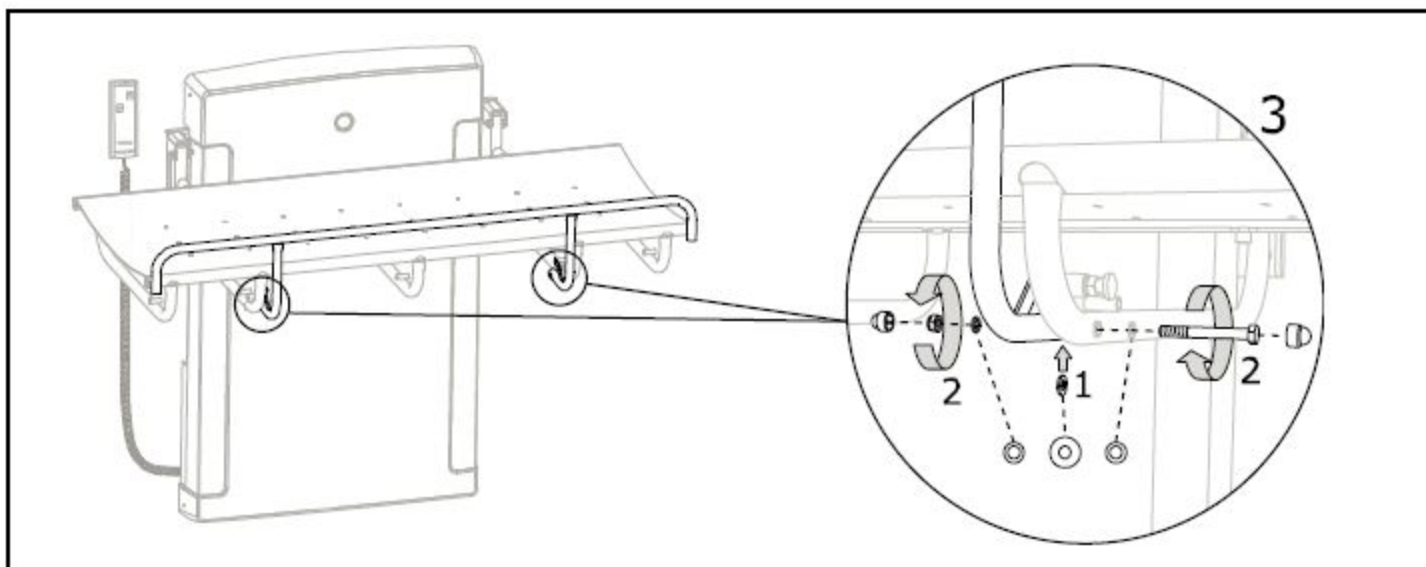
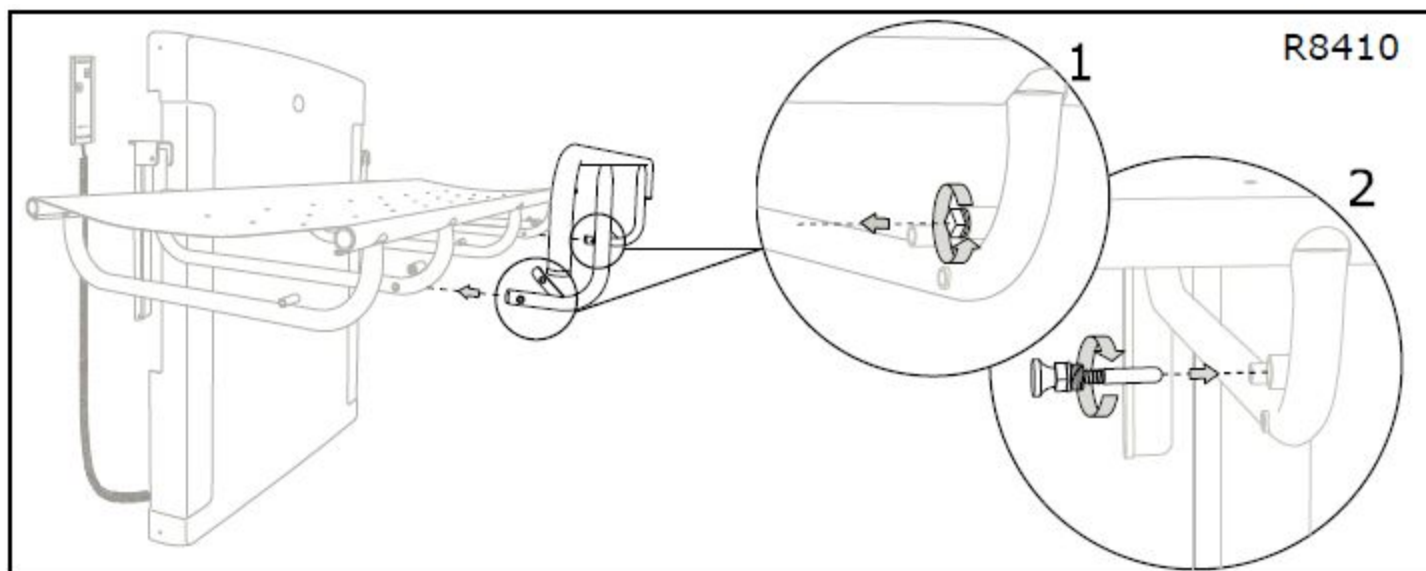


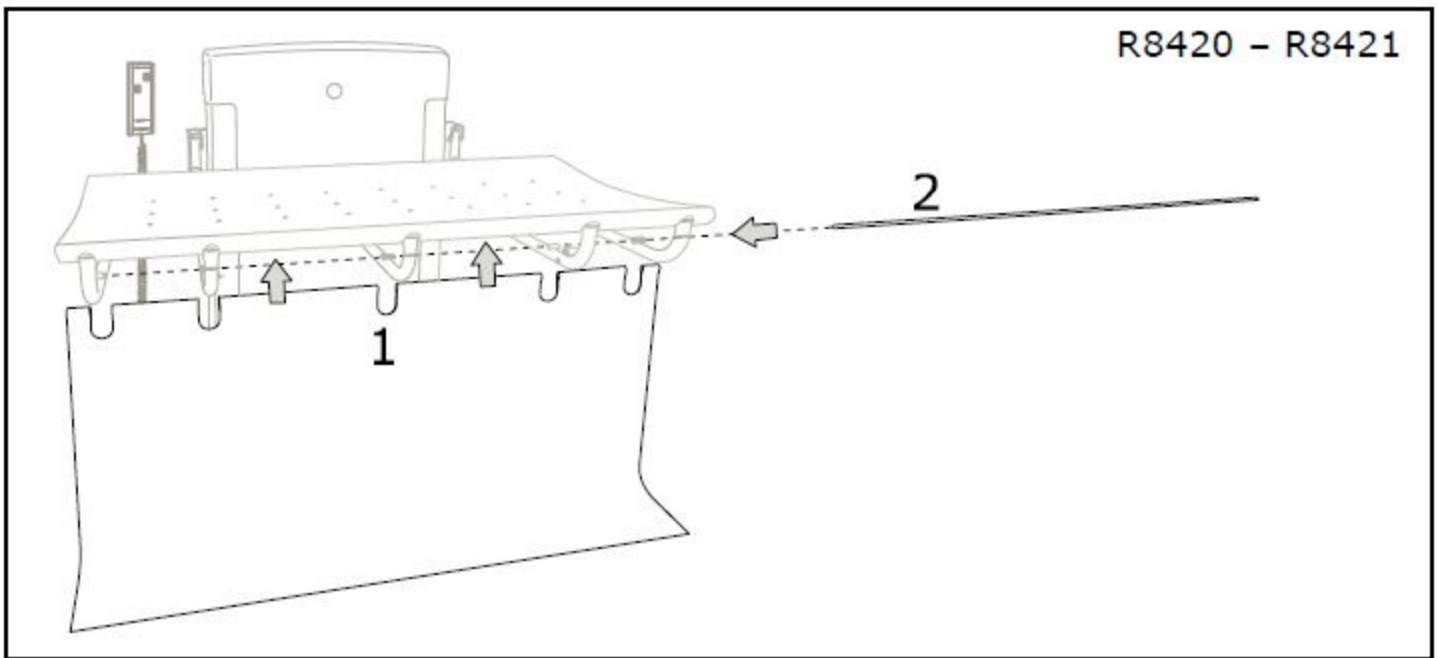
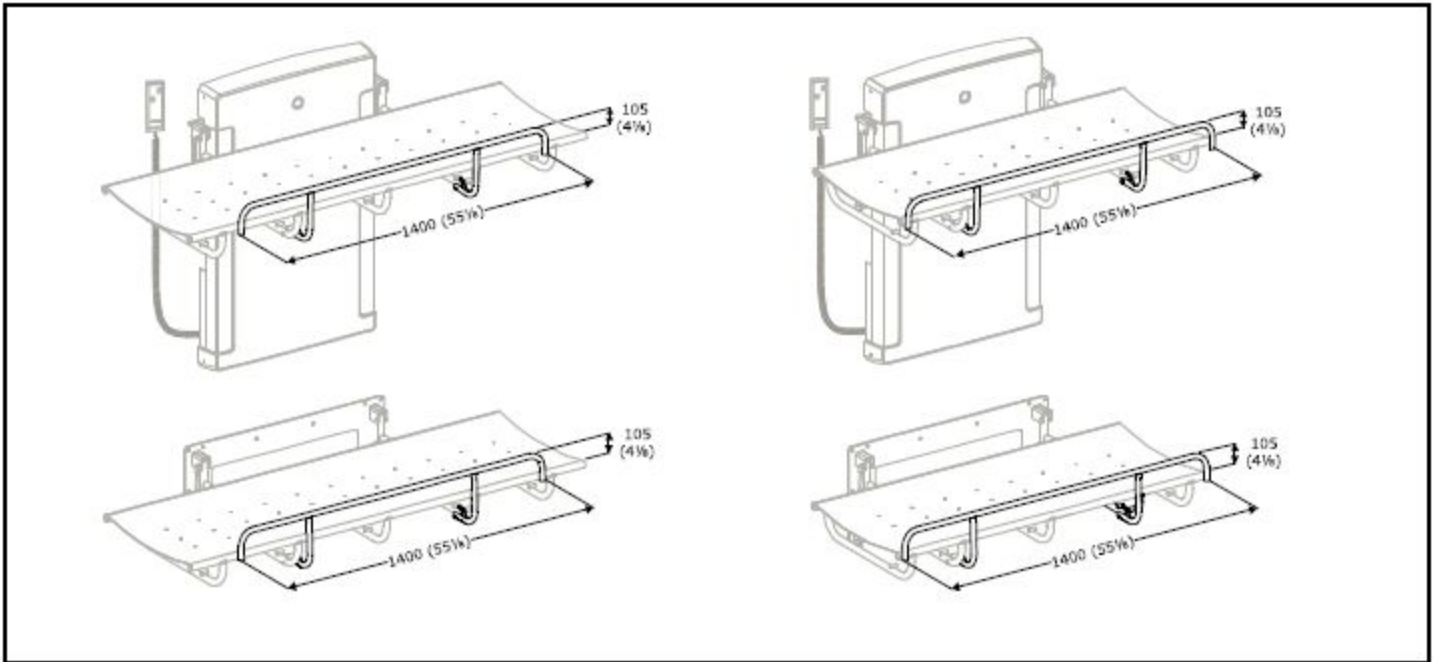
# Pressalit Care 1000 Adult Changing Table

## Safety Rail/Splash Curtain Installation Drawing

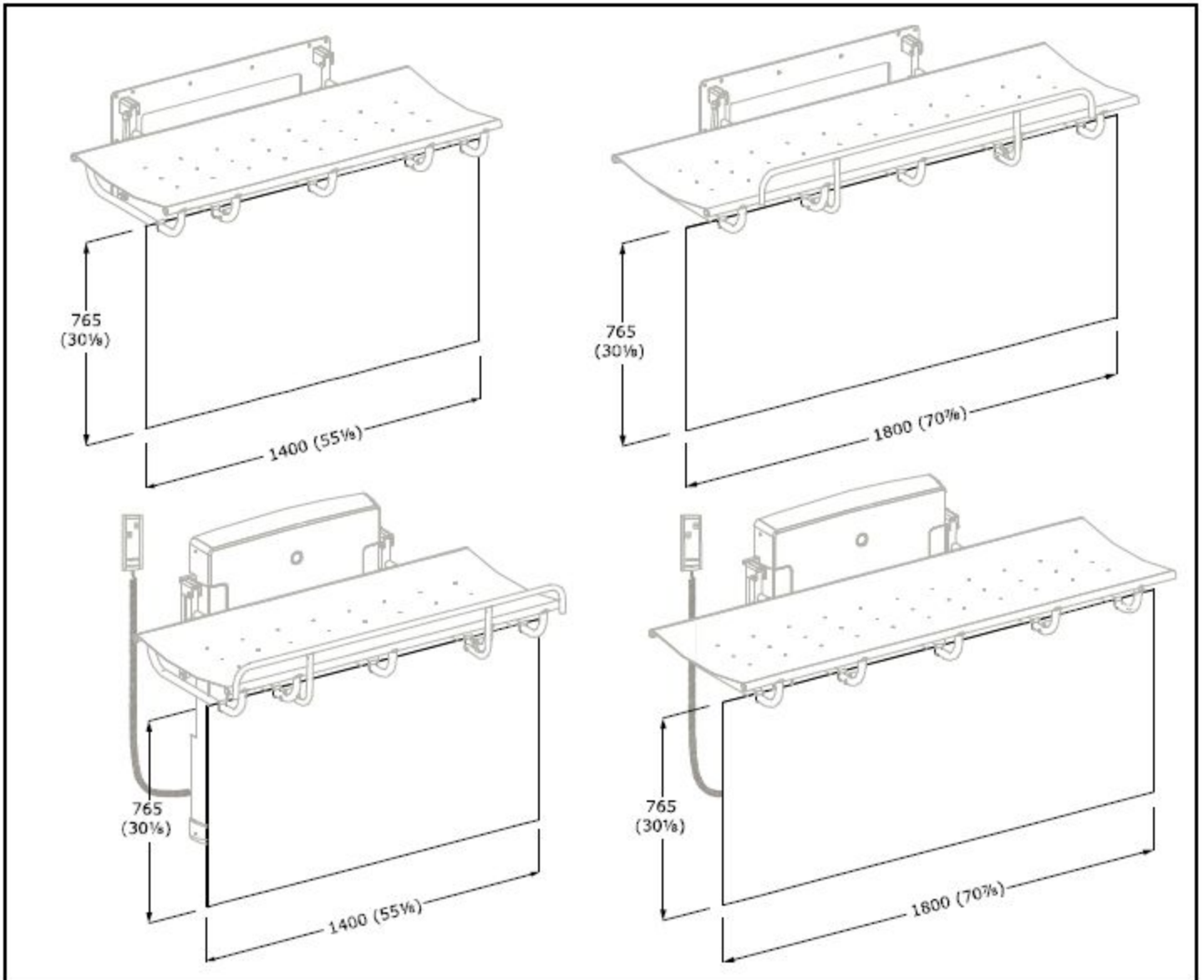
Call us at 800 577-1555 for installation support or technical assistance.



# MAX-Ability®



# MAX-Ability®



Subject to alteration without further notice.