



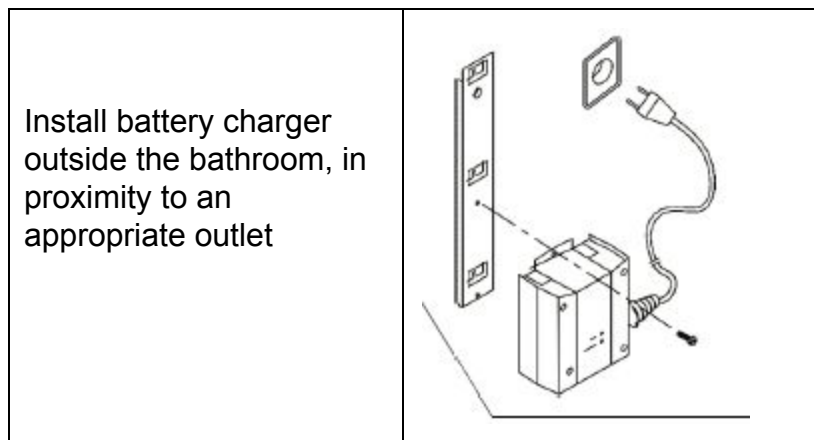
Access Your World

Lopital Sirocco

Wall-mount Shower Bed / Changing Table

Installation Drawing
& Dimension Diagrams

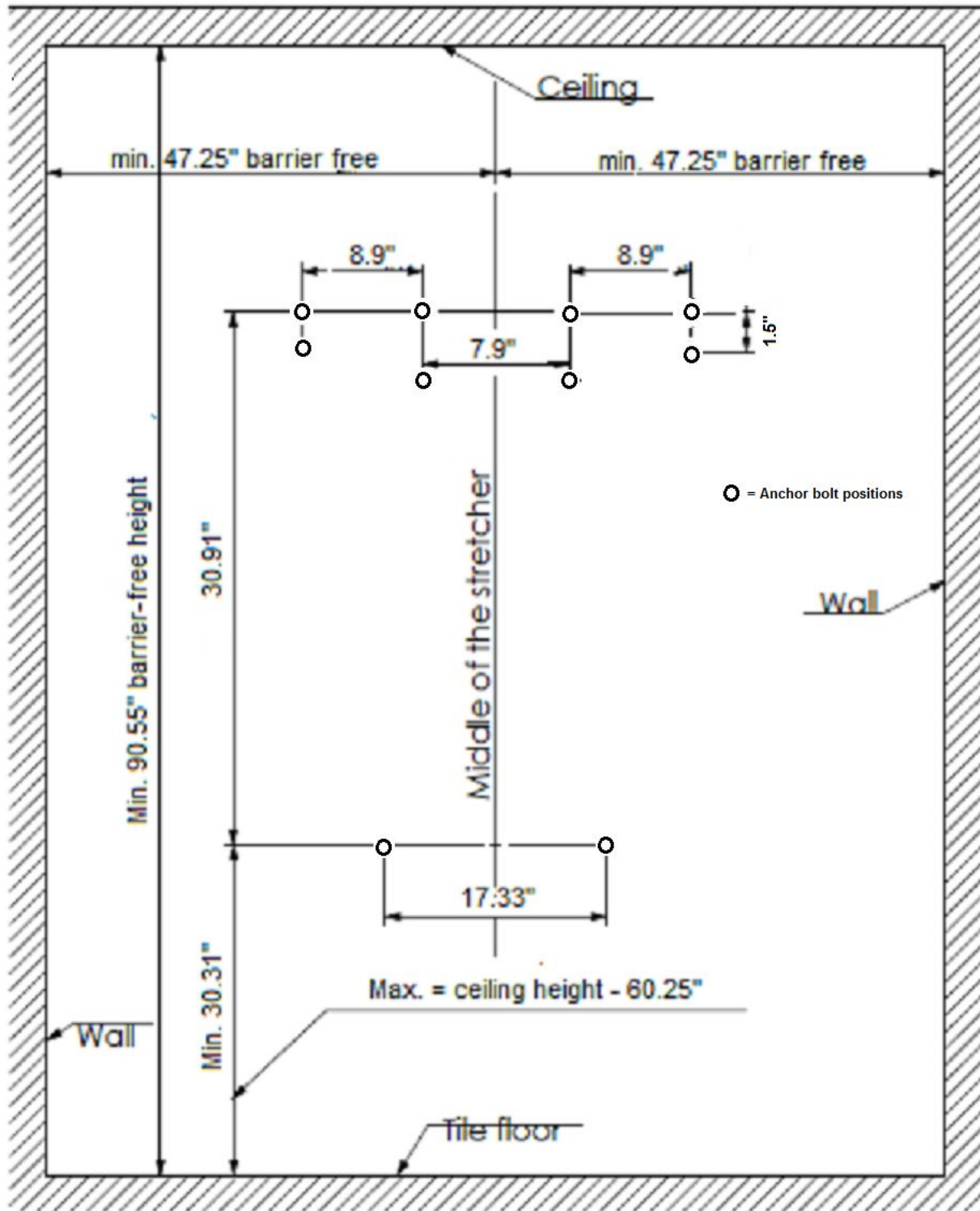
Call us at 800 577-1555 for installation support or technical assistance.



Subject to alteration without further notice.

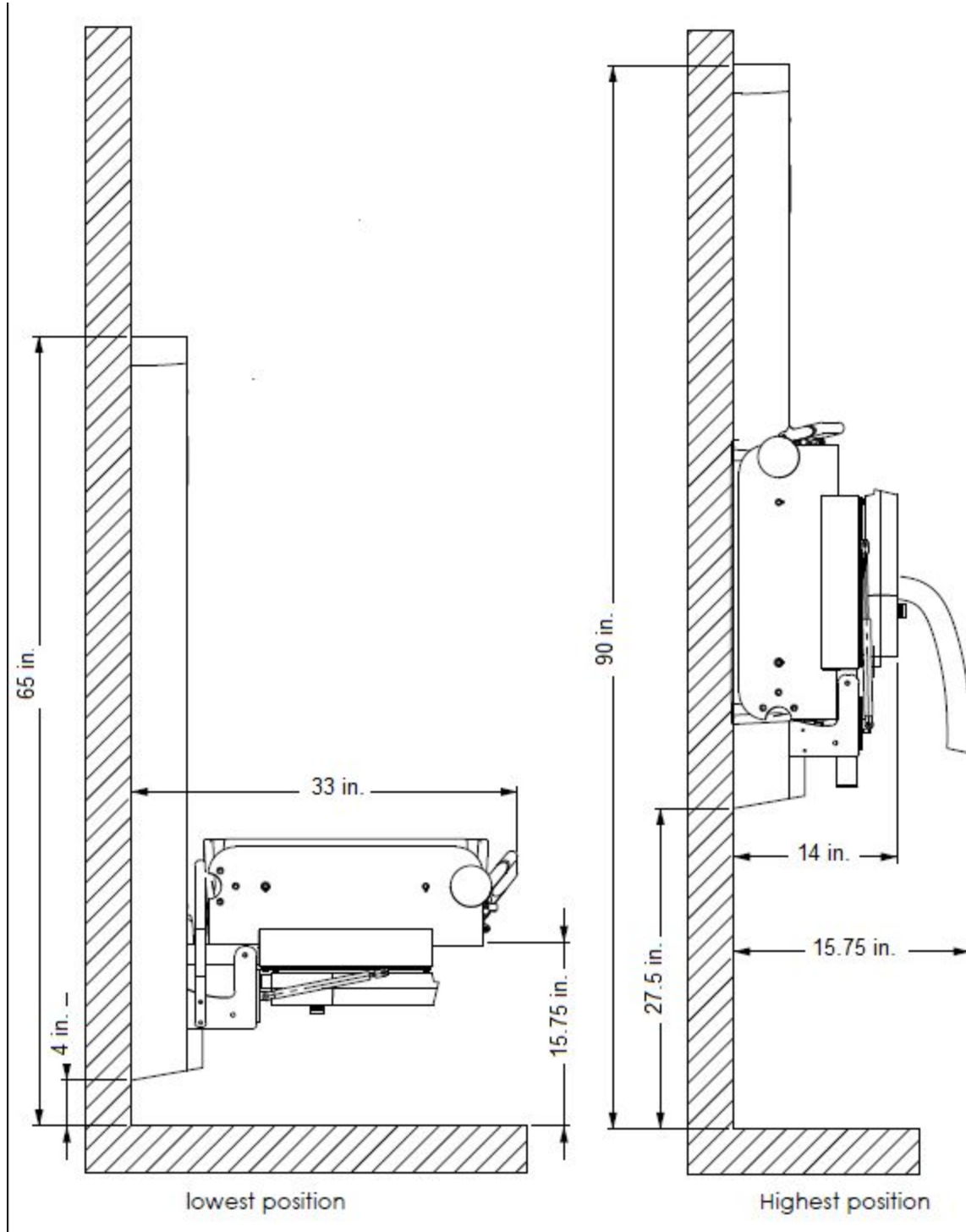


Installation Drawing:



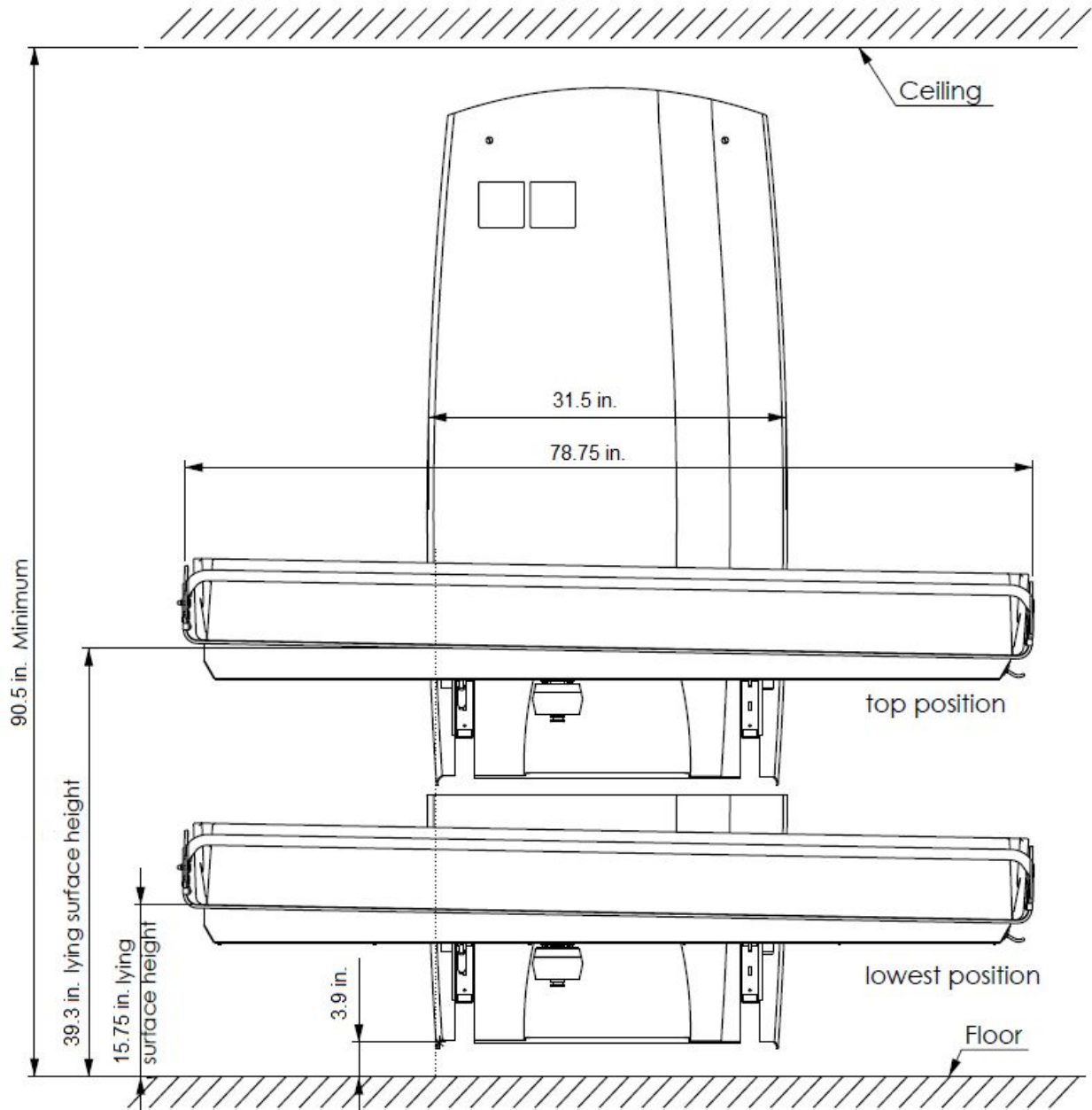


Side View:





Front view:



Shown: Drain Right

Subject to change without further notice

www.max-ability.com 800-577-1555 Fax: 707-575-3856 email: Info@max-ability.com

rev. Nov. 2015