

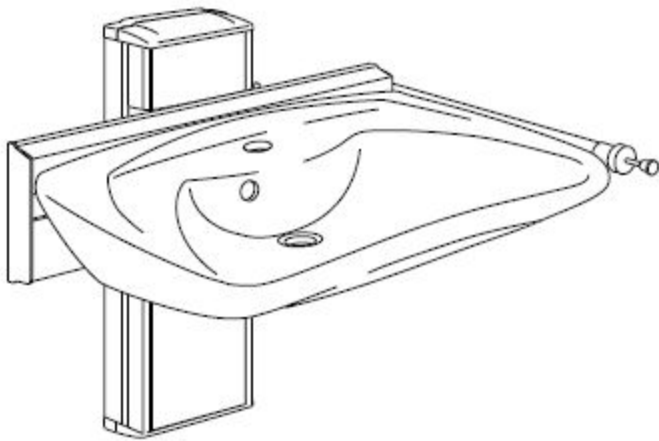
Pressalit Care Adjustable Height Bathroom Sink

Electric Mode

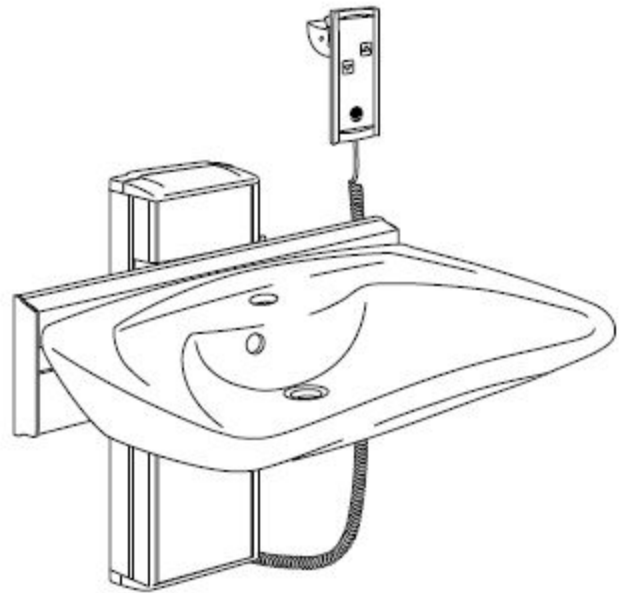
Installation Drawing

Call us at 800 577-1555 for installation support or technical assistance

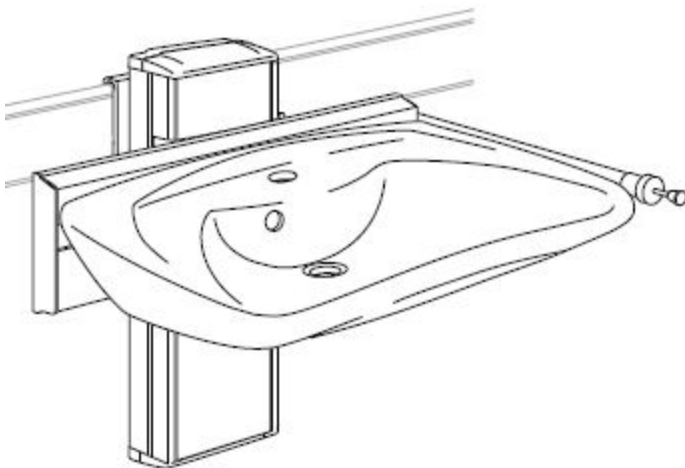
Wall-mounted with joystick control



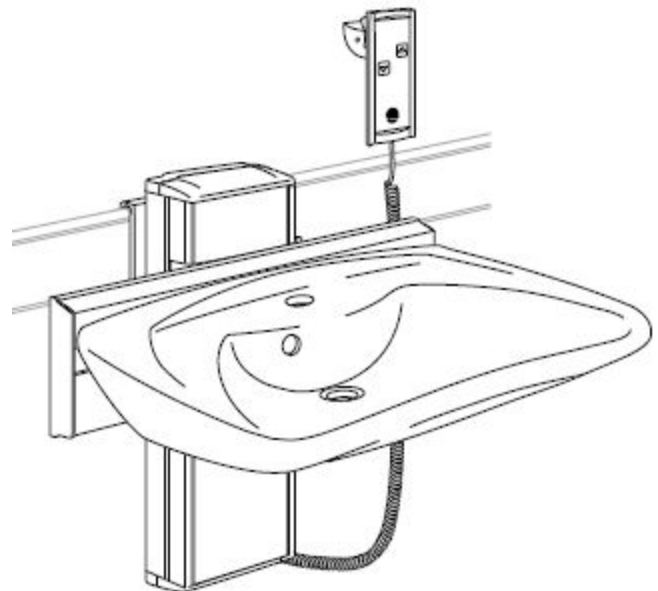
Wall-mounted with hand control



Track-mounted with joystick control



Track-mounted with hand control



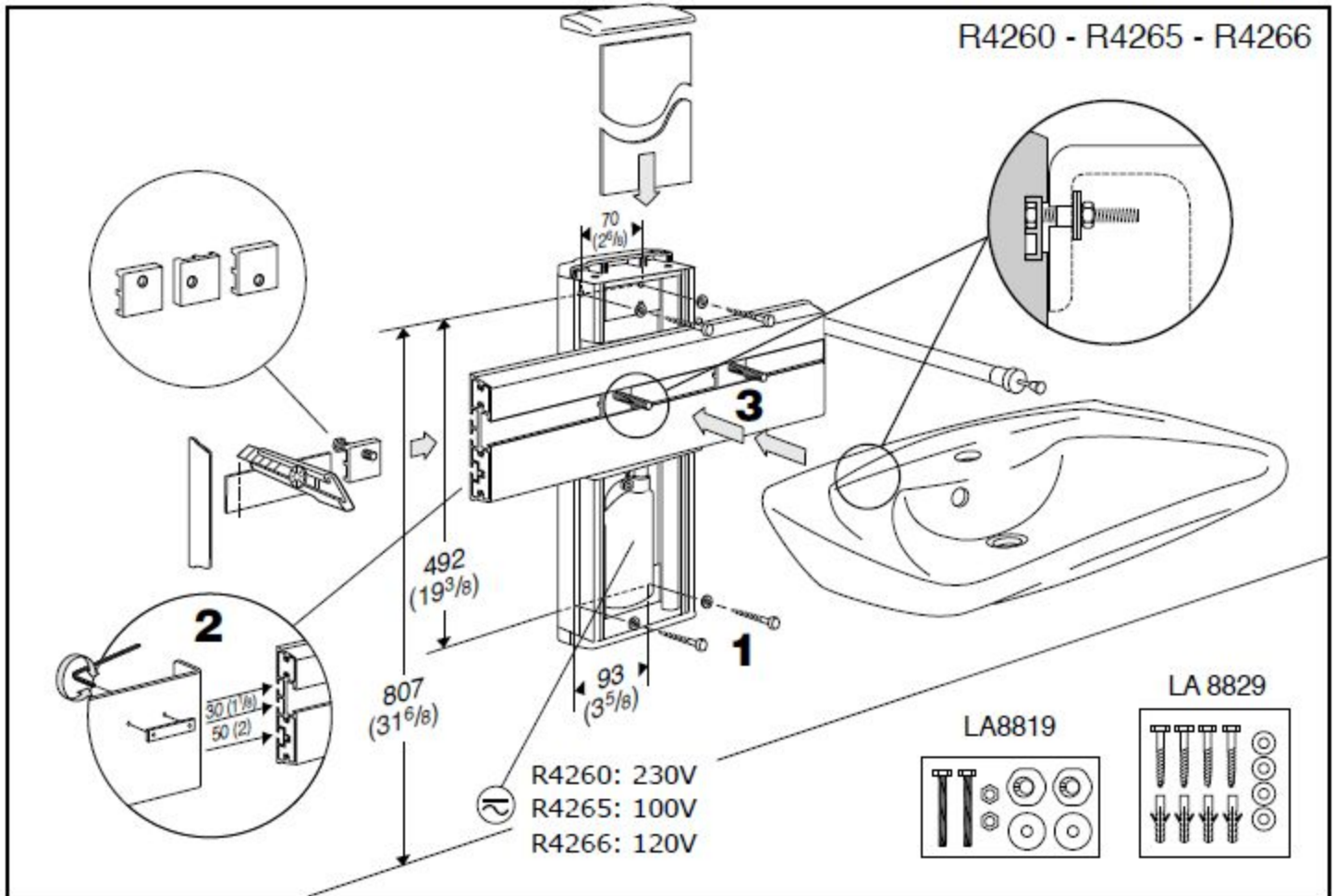
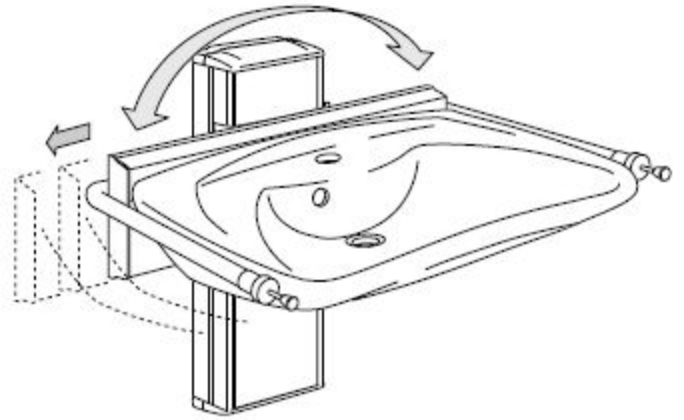


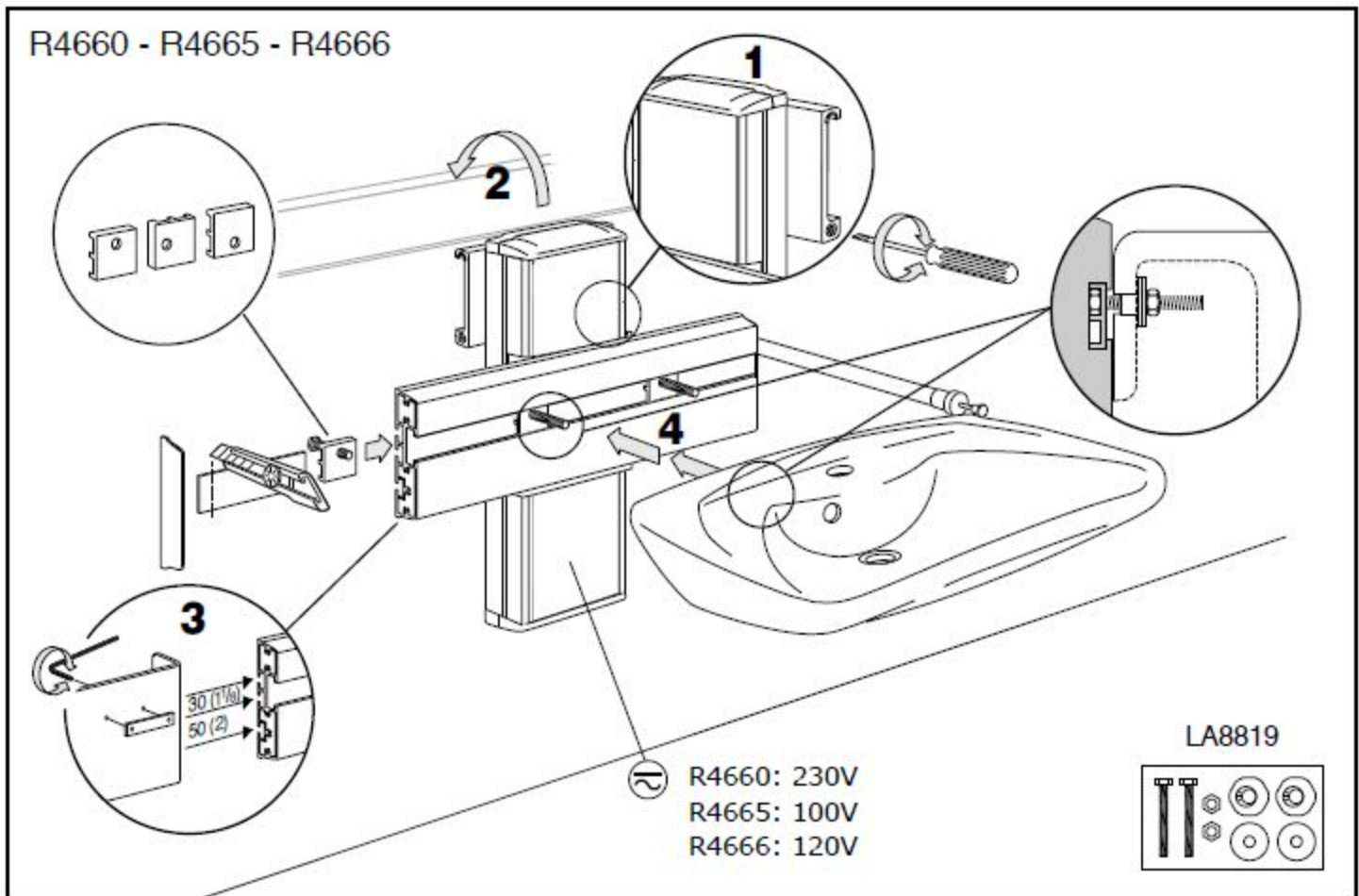
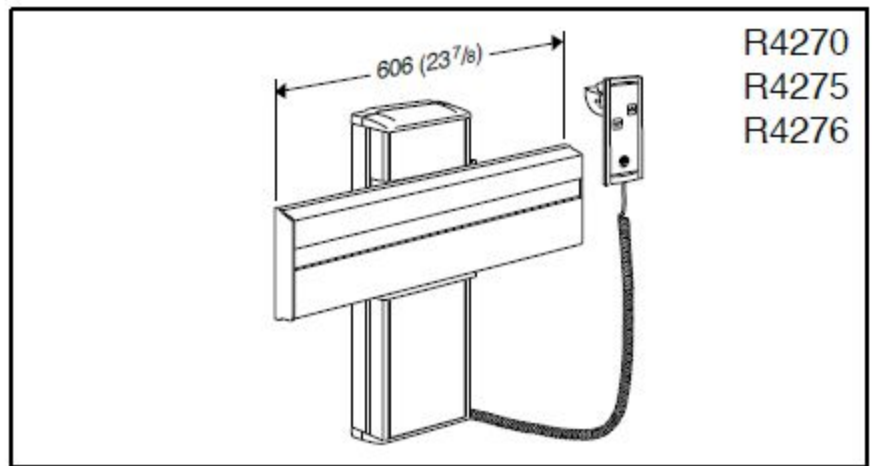
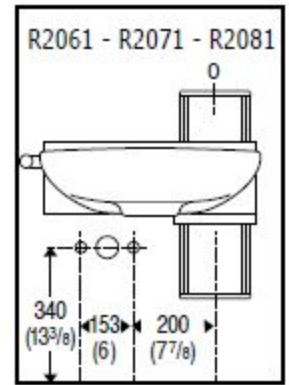
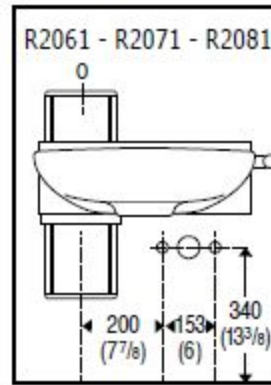
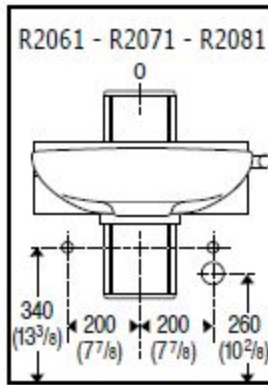
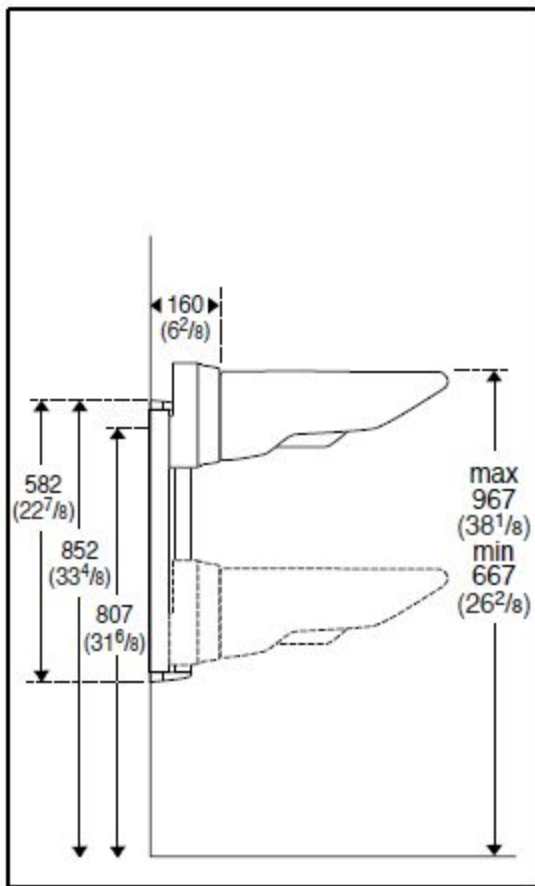
Mounting instructions:

Before mounting, determine the most appropriate location for wash basin, taking interior construction and plumbing into account (see diagram below).

To change wash basin's position, see Fig. 1 below.

To shift lever from right to left side of sink, see Fig. 2 below.





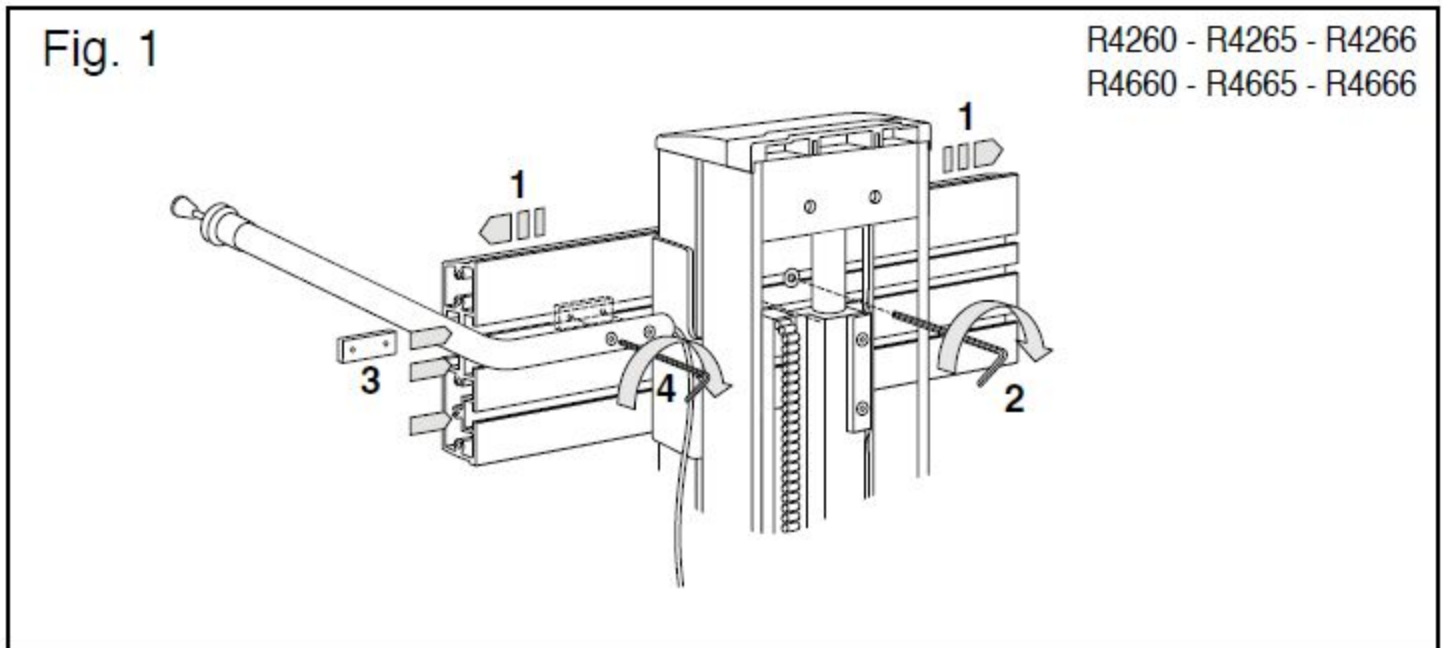
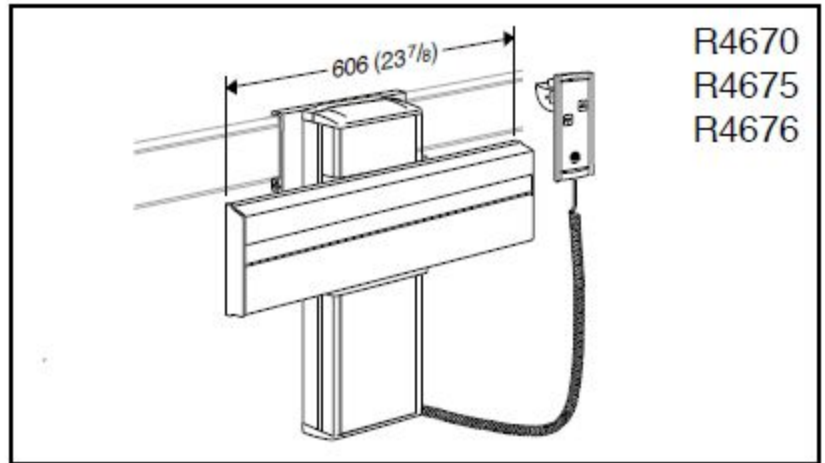
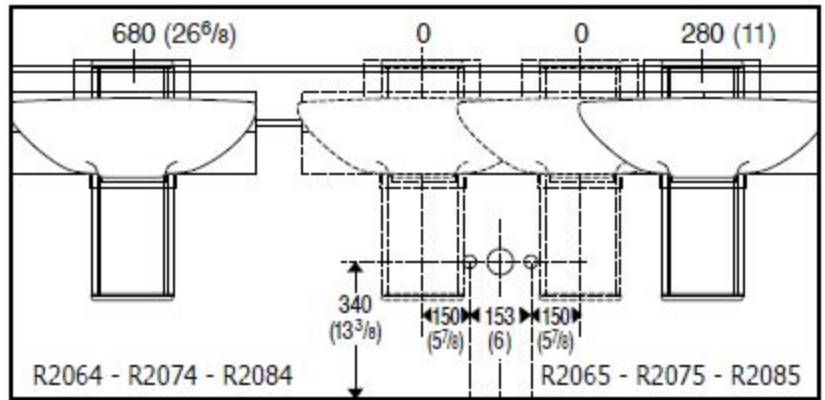
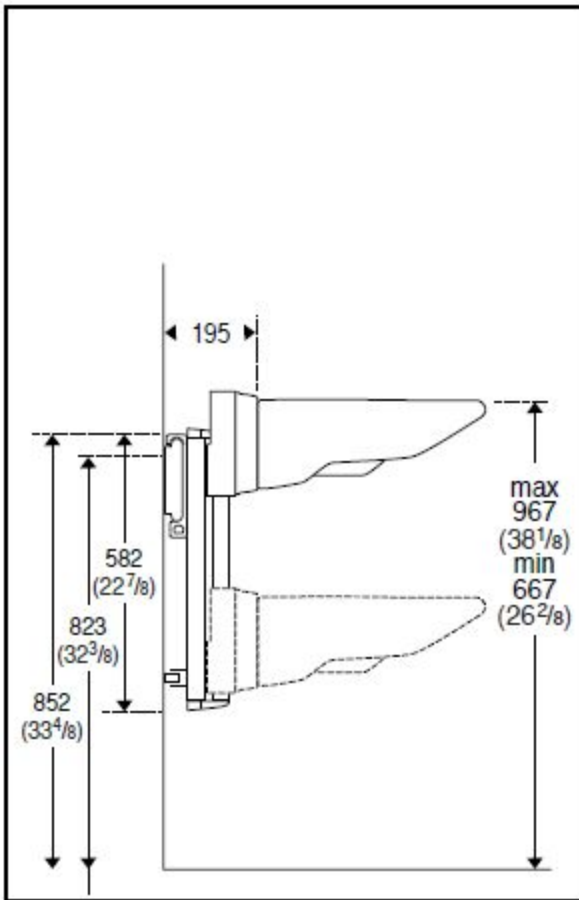
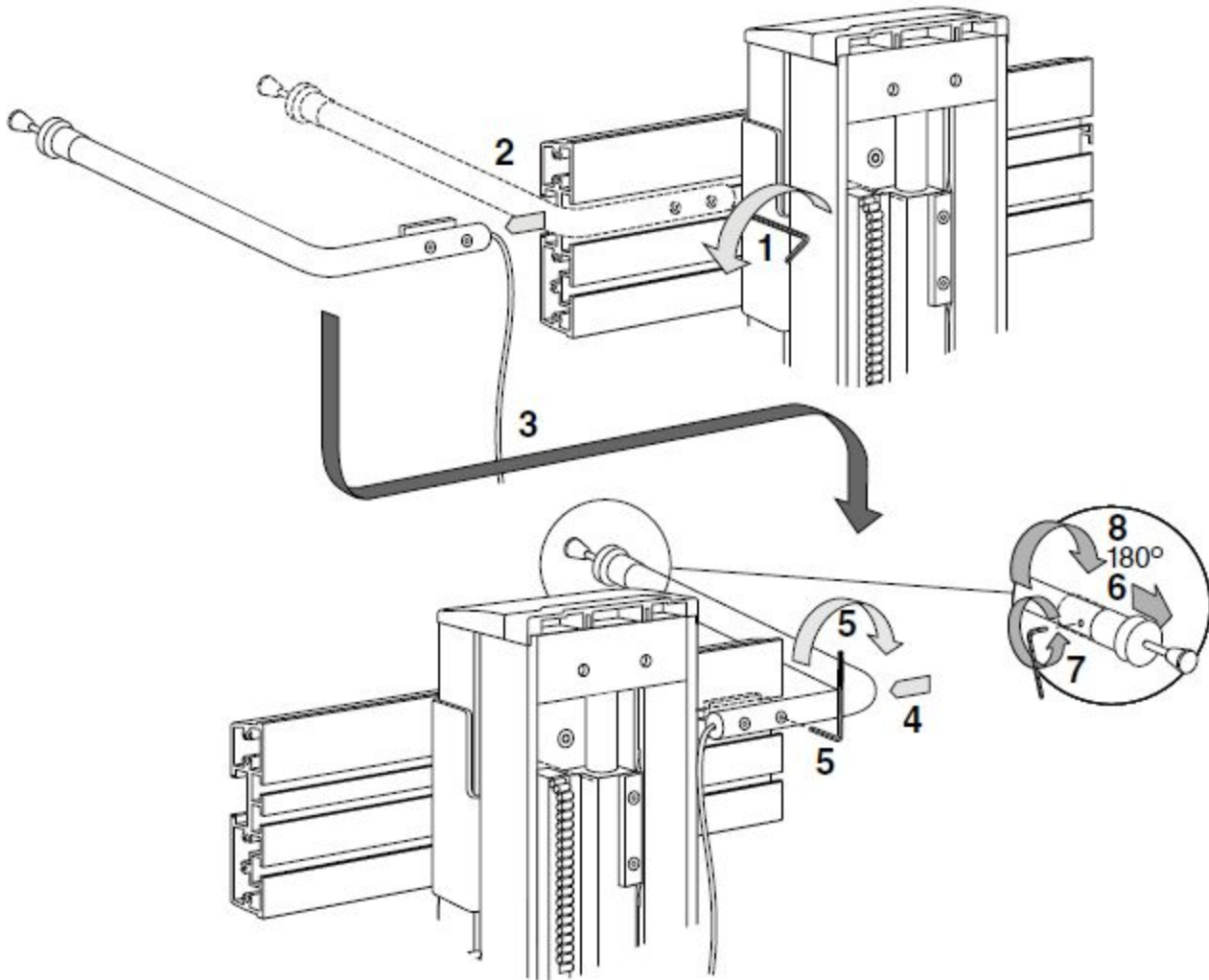
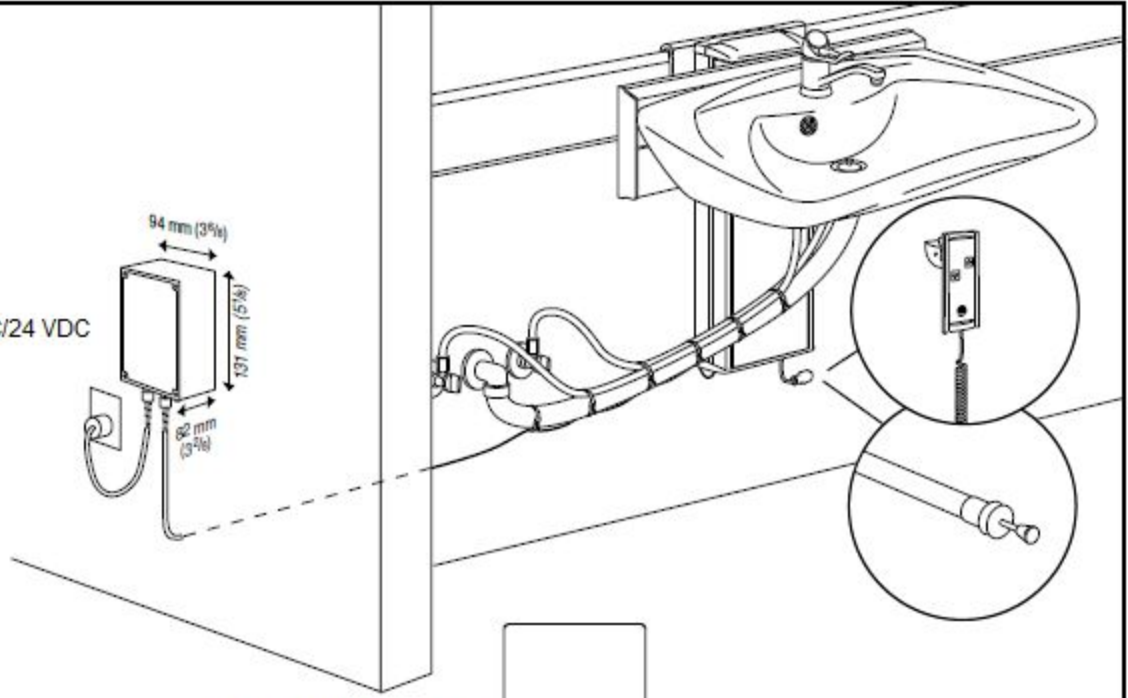


Fig. 2

R4260 - R4265 - R4266
R4660 - R4665 - R4666



Transformer: 230 VAC/24 VDC



Electric motor with built-in control box

For electric contact



Glass fuse

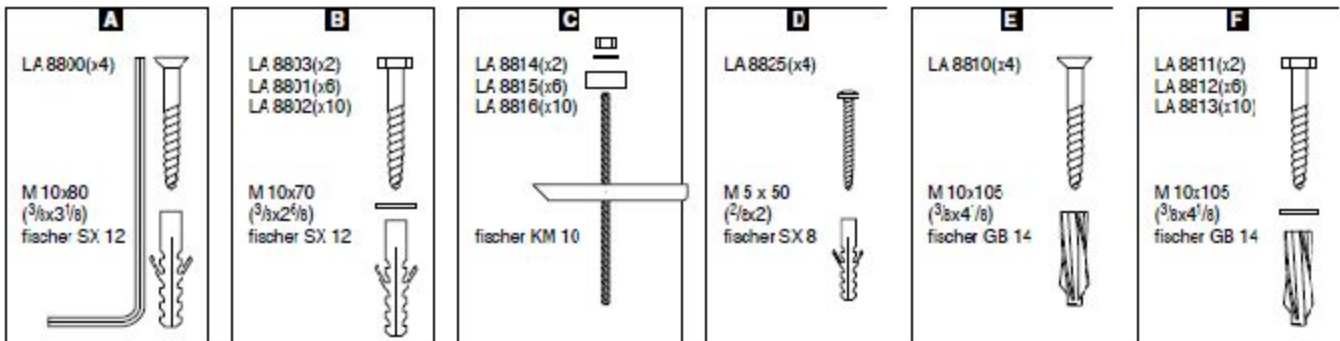
- ⊕ - brown
- ⊖ - blue

Methods of Installation

	Brick walls (solid brick or hollow brick) >Mz12 or >Hz12	2"x1.5" studs, 22 mm (7/8") plywood or equivalent	2x12.5 mm (1/2") plasterboard or equivalent	Aerated concrete walls > G2	Concrete walls > B15
R5900-R9915	B	B	C	C	C
R3016/R3018	A	A ✓	X	E	A ✓
RF016/RF018	A ✓	A ✓	X	E	A ✓
R3146/R3148	B	B	C	F	B
RF146/RF148	B	B	C	F	B
R4140/R4141/42	B	B	C	F	B
R4260/R4270/R4261/62/71/72	B ✓	B ✓	C	F	B ✓
R4360/R4361/62/71/72	B ✓	B ✓	C	F	B ✓
R5010/R5015/R7010	A ✓	A ✓	X	E	A ✓
R5140/R5145	B	B	C	F	B
RE010	B ✓	B ✓	C	F	B ✓
R7165/66/67/68	B	B	C	F	B
R7142/R7143/R7150/R7151	B	B	C	F	B
R7256/R7258	B	B	C	F	B
R4920/21/R4930/31	B ✓	B ✓	C	F	B ✓
RE240/41-61/R8245/46-66	B ✓	B ✓	C	F	B ✓
RT490/RT491/RT850-870	D	D ✓	X	D ✓	D ✓
RT100-110/RT124-138	D ✓	D ✓	X	D ✓	D ✓
RT114-119/RT212-215	D ✓	D ✓	X	D ✓	D ✓

✓ • Included with the product •

X • Not possible •



GB Assembly Instruction

Electric installation

All electrical connections to be carried out by a qualified electrician. Mount the transformer 24 VDC 80W, 100 W 20% int. in a dry room separated from the bathroom. Test the wall mounting with a mounted wash basin when the connection has been completed. When the lever is activated up and down respectively the wash basin must move up and down respectively. If the bracket does not move:

1. check the fuse in the transformer, 5A or 2. reverse the wires + and - on the transformer.

⚠ WARNING! - The power must be disconnected when opening the box to the electric motor. Risk of personal injury.

Subject to alteration without further notice.

www.max-ability.com 800-577-1555 Fax: 707-575-3856 email: info@max-ability.com

rev. Nov 2015