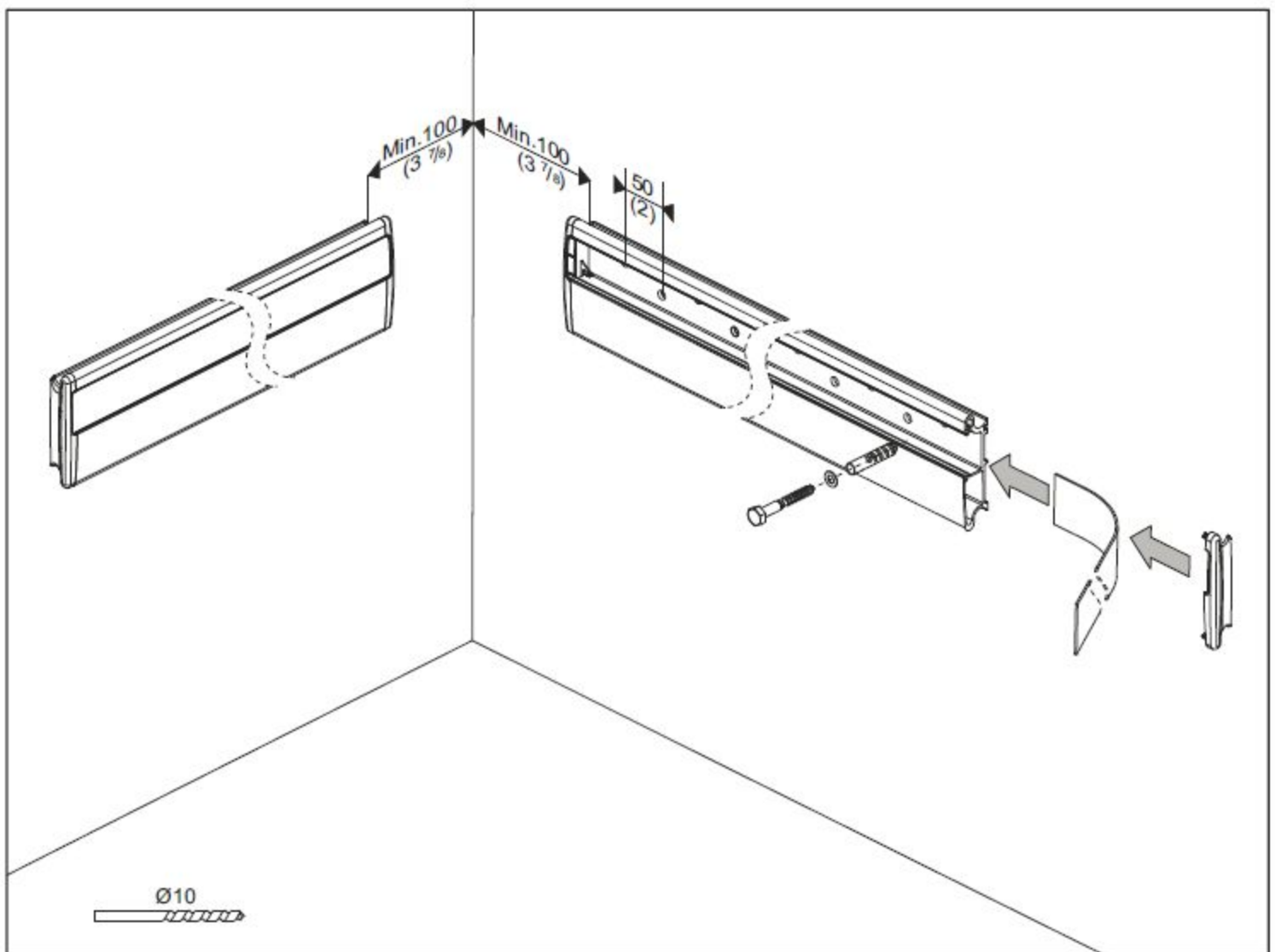


Pressalit Care Wall Track for Manual Adjustable Sink

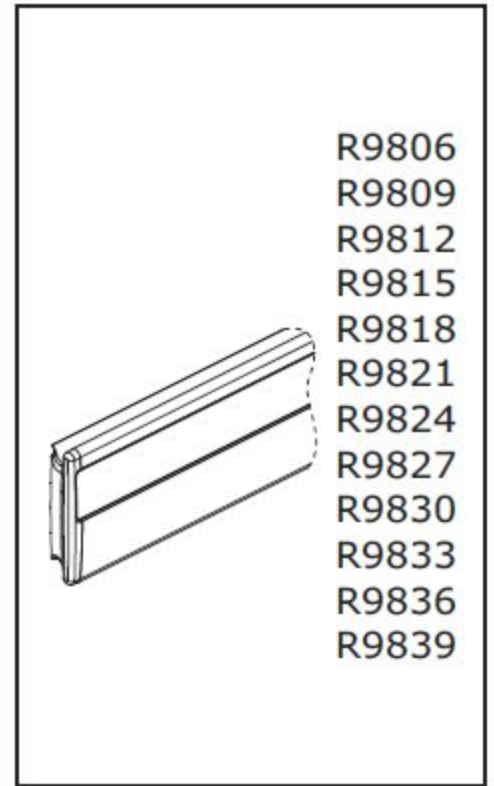
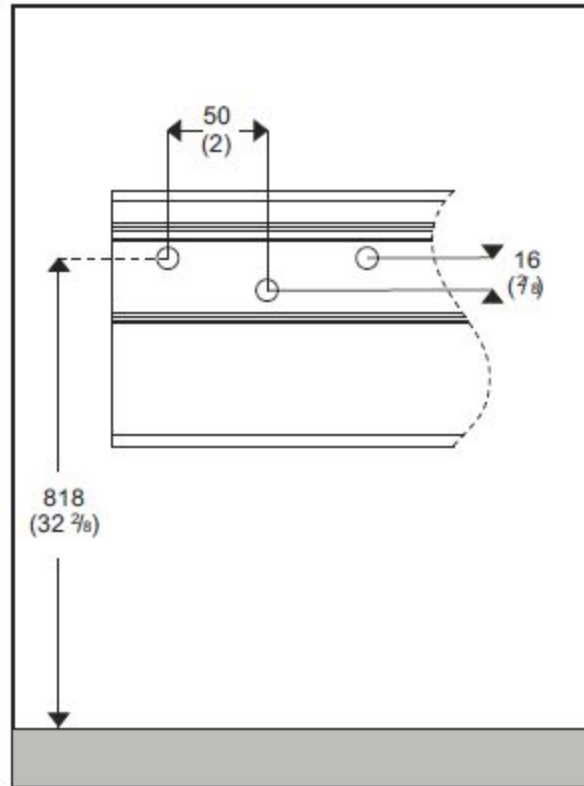
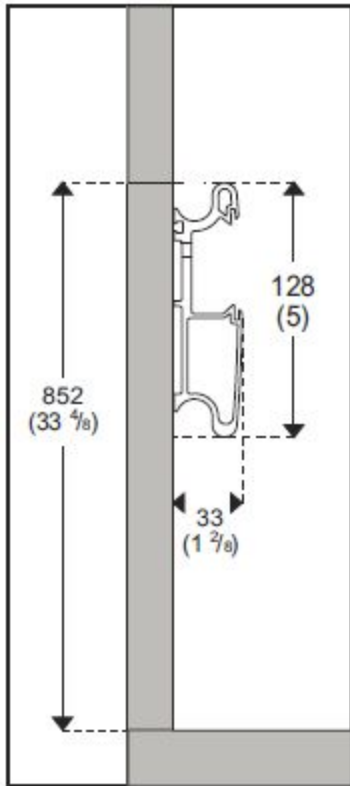
Wall Track Installation Drawing

Call us at 800 577-1555 for installation support or technical assistance.



Subject to alteration without further notice.

MAX-Ability®



Methods of Installation

Brick walls
(solid brick or hollow brick)
>Mz12 or >Hz12

2"x1.5" studs,
22 mm (7/8") plywood
or equivalent

2x12.5 mm (1/2")
plasterboard
or equivalent

Aerated concrete walls
> G2

Concrete walls
> B15

