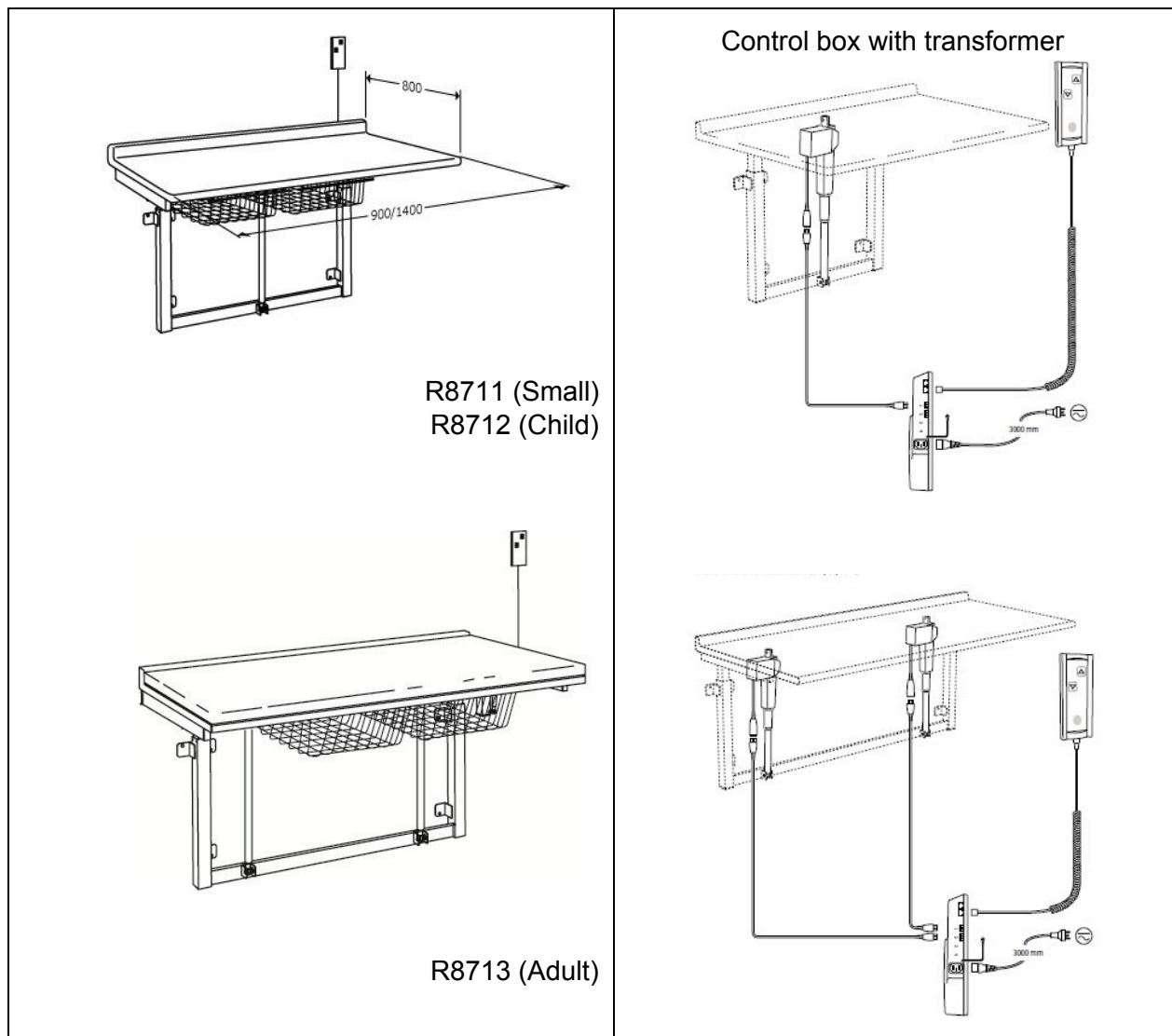


Pressalit Care WM-BA Wallaby Changing Table

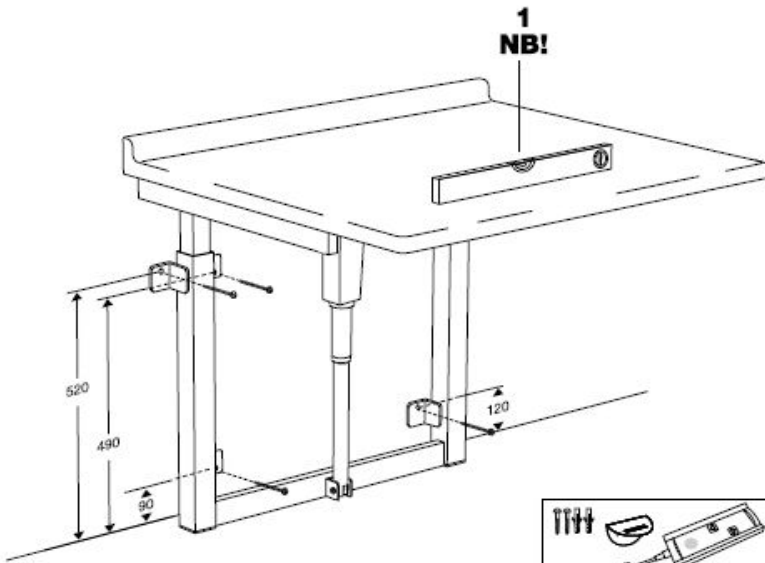
(Models R8711/R8712/R8713)

Installation Drawing

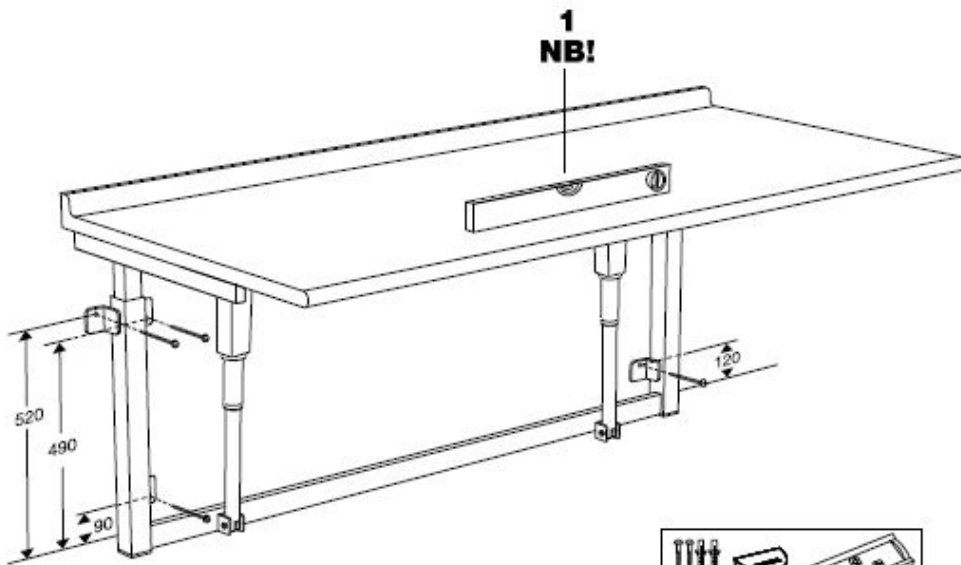
Call us at 800 577-1555 for installation support or technical assistance.



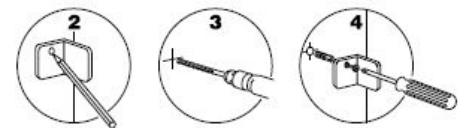
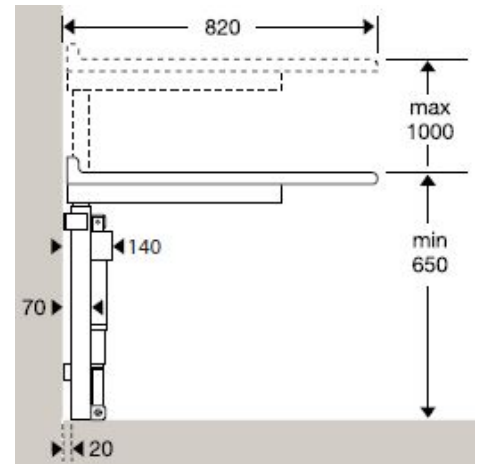
Installation location This product is designed for indoor use in a wet environment, such as a bathroom or washroom, therefore, ensure that the power supply is adequately shielded. Additionally, choose an installation location with sufficient space for access to and function of the product.



R8711 (Small)
R8712 (Child)



R8713 (Adult)



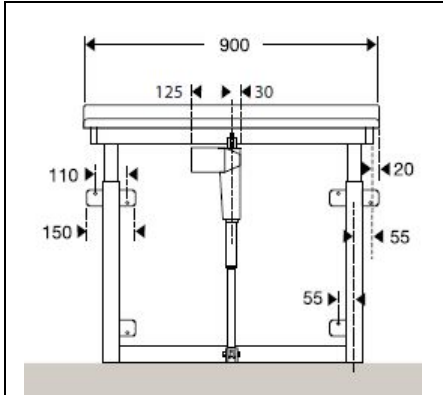
Metric conversions for drawing dimensions:

mms = inches

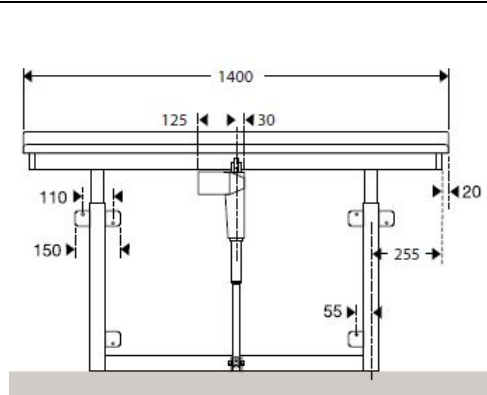
20 = 0.79	250 = 9.84
25 = 0.98	255 = 10.04
30 = 1.18	275 = 10.83
50 = 1.96	300 = 11.81
55 = 2.16	490 = 19.29
70 = 2.75	520 = 20.47
90 = 3.54	650 = 25.59
105 = 4.13	800 = 31.50
110 = 4.33	820 = 32.28
120 = 4.72	900 = 35.43
125 = 4.92	1000 = 39.37
140 = 5.51	1400 = 55.12
150 = 5.90	1800 = 70.86
225 = 8.86	1850 = 72.83
240 = 9.45	

(1 mm = 0.039 in)

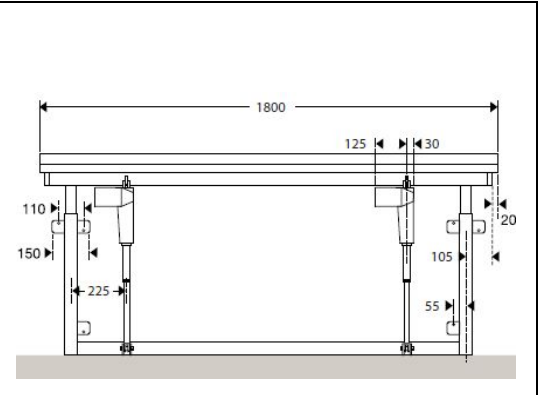
MAX-Ability®



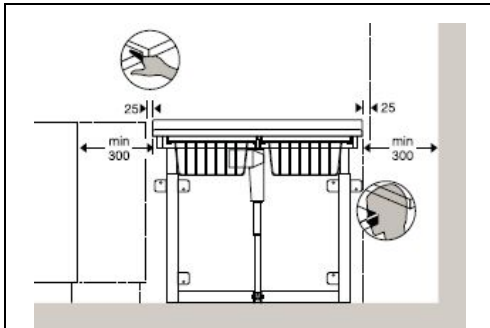
R8711 (Small)



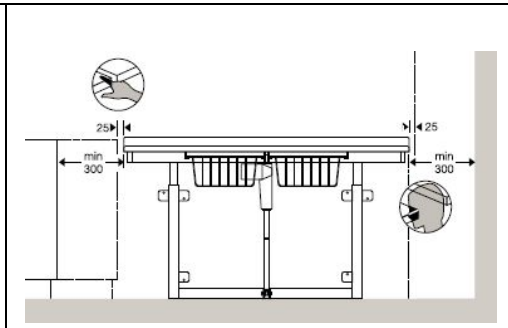
R8712 (Child)



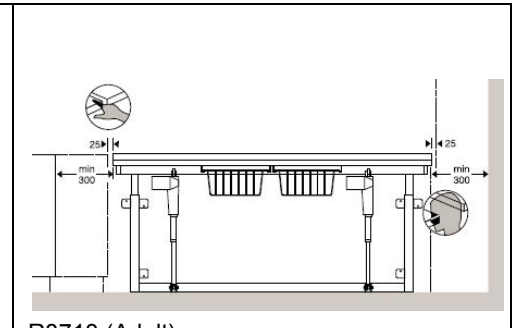
R8713 (Adult)



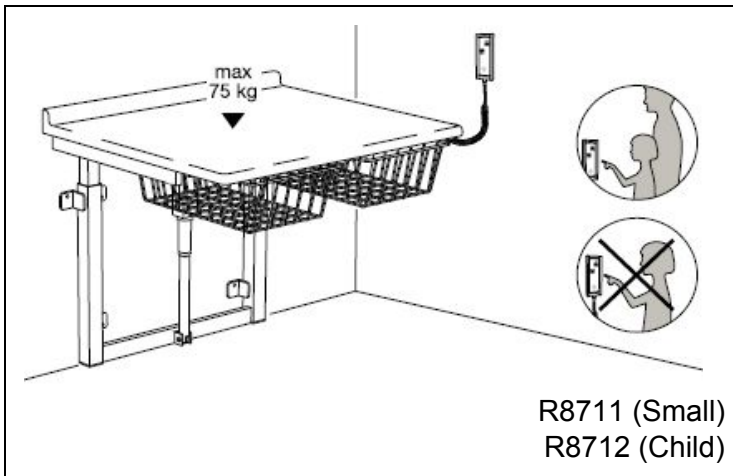
R8711 (Small)



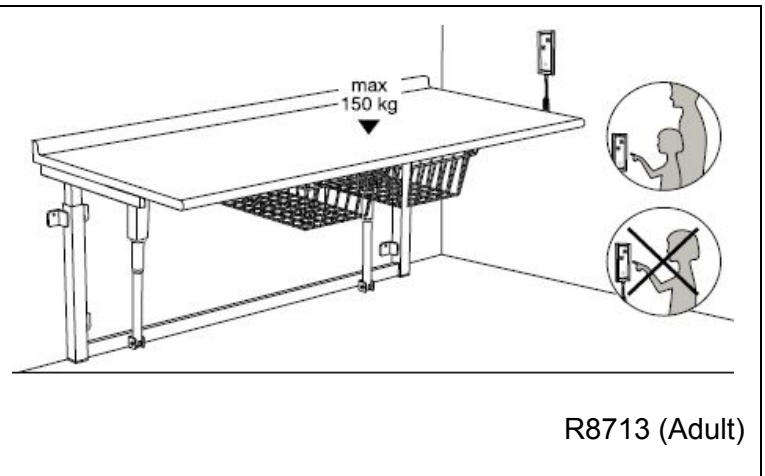
R8712 (Child)



R8713 (Adult)



R8711 (Small)
R8712 (Child)



R8713 (Adult)

Subject to change without further notice



WARNING: Follow all instructions to prevent serious injury or product damage. If any parts are damaged, contact MAX-Ability. Do not attempt to remove, modify, or repair damaged parts unless so instructed by MAX-Ability. Product should be installed by a qualified professional, e.g., a licensed contractor. MAX-Ability is not liable for injury or damage caused by improper mounting.

- Use indicated dimensions to mount changing table..
- Please protect wall panel components from dust during installation.

Electrical Connections Ensure that all power components are connected securely. Connect control box either by means of an approved moisture-resistant wall box or by leading an approved cable through the wall for connection outside the room. Use a standard single gang flush mount outlet box. See the drawing for proper location of the outlet box. The wall outlet power supply is 120v 15 amp. Use GFI as required. The GFI control can be located at the wall panel or outlet. The product includes a built-in 24v/1amp transformer, 8' power cord and 3-prong wall plug. Alternatively, product can be hard-wired directly into the electrical power supply by a qualified, licensed electrician. Secure all cords/cables to protect users from tripping.

Important!

Attention Product Owner / Installer:

Before using your newly installed Pressalit Care changing table for the first time, carefully inspect and ensure that:

- All fasteners and anchors are tight.
- The hand control wall bracket is installed (usually on the right side of the wall panel).
- The safety rail (if appropriate) operates correctly.

Move the product to its highest and lowest levels to confirm that there are no obstructions (e.g., the power cord) in the wall panel. Refer to the user manual for inspection intervals, operation and cleaning procedures.

Troubleshooting Should you experience any difficulty, verify the correct current, and check the power and hand control plugs at the control box, making sure they are firmly connected. Check the operation manual for further troubleshooting tips. Please contact MAX-Ability for assistance.

Subject to change without further notice