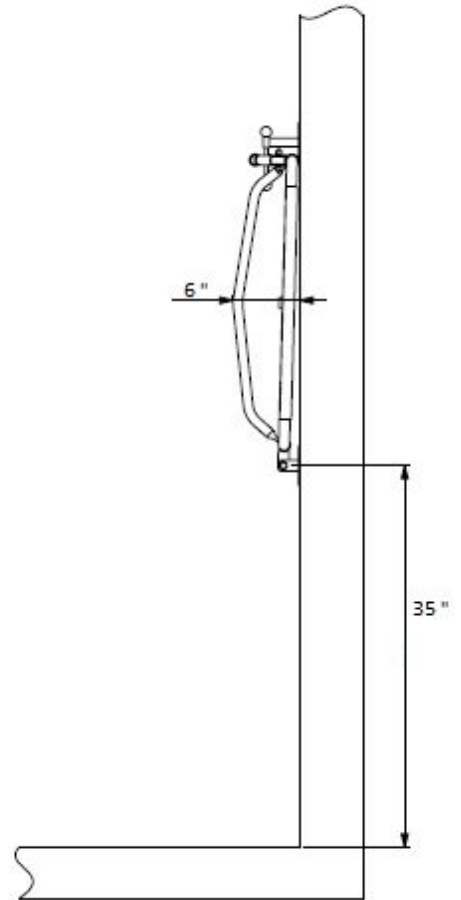
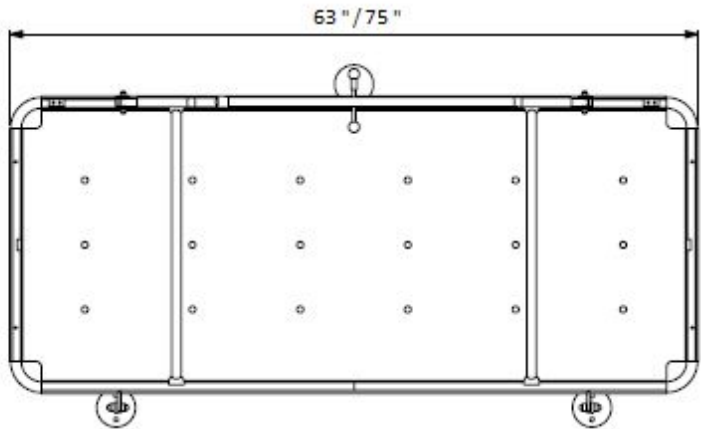


WARNING: Follow all instructions to prevent serious injury or product damage. If any parts are damaged, contact MAX-Ability. Do not attempt to remove, modify, or repair damaged parts unless so instructed by MAX-Ability. Product should be installed by a qualified professional, e.g., a licensed contractor. MAX-Ability is not liable for injury or damage caused by improper mounting.

Subject to change without further notice

www.max-ability.com 800-577-1555 Fax: 707-575-3856 email: Info@max-ability.com

pub Sep 2017



Important!

Attention Product Owner / Installer:

Before using your newly installed Amfora shower stretcher / changing table for the first time, carefully inspect and ensure that:

- All fasteners and anchors are tight.
- The wall bracket is correctly installed.
- The safety rail (if appropriate) operates correctly.

Refer to the user manual for inspection intervals, operation and cleaning procedures.

Troubleshooting Should you experience any difficulty, check the operation manual for troubleshooting tips. Please contact MAX-Ability for assistance.